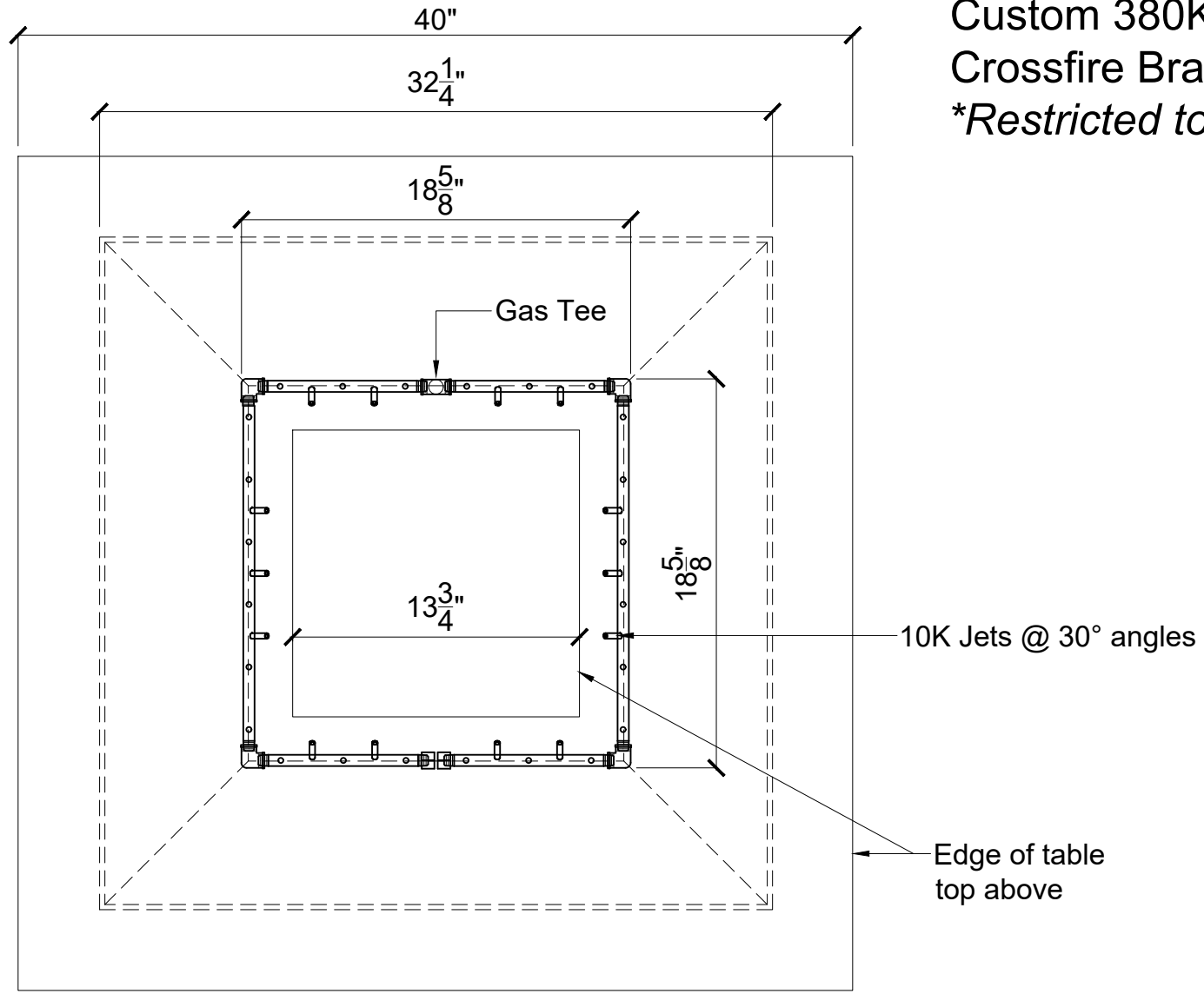


Custom 380K BTU Linear  
 Crossfire Brass Burner  
 \*Restricted to 60K to 80K BTU



TYPE B - PLAN VIEW

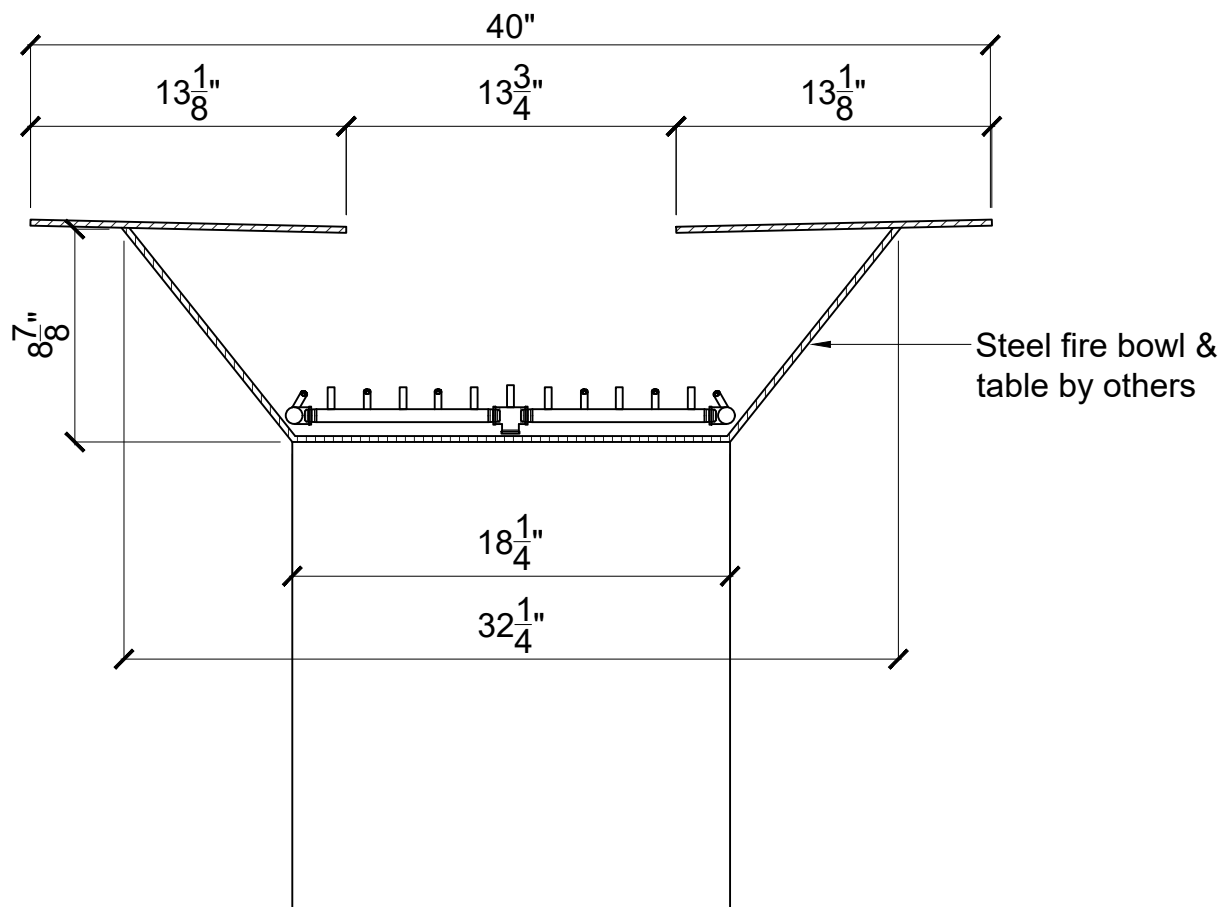


www.warming-trends.com

**CONFIDENTIAL:**  
 Any information data and drawings embodied in this document are proprietary and strictly confidential, are to be held as confidential and supplied with the understanding that they will not be disclosed, in whole or in part or in any form, to third parties without the prior written consent of Warming Trends, Inc. All information, illustrations, screen shots, and data contained are herein Copyright © Warming Trends Inc. all rights reserved.

Date: 09-04-2019	Customer: Hancock Grills	Approved by:
Scale: 1 1/2" = 1'-0"	Estimate #:	Approval Date:
Tolerance: 0.125"	Revision Date: 09-18-2019 / 01-02-2020	
Dwg: S:\_AutoCad Drawings\KAT_Clients-Estimates\CUSTOM CLIENTS\Hancock Grills\Hancock Grills		

Custom 380K BTU Linear  
 Crossfire Brass Burner  
*\*Restricted to 60K to 80K BTU*



TYPE B - SECTION VIEW



**CONFIDENTIAL:**  
 Any information data and drawings embodied in this document are proprietary and strictly confidential, are to be held as confidential and supplied with the understanding that they will not be disclosed, in whole or in part or in any form, to third parties without the prior written consent of Warming Trends, Inc. All information, illustrations, screen shots, and data contained are herein Copyright © Warming Trends Inc. all rights reserved.

Date: 09-04-2019	Customer: Hancock Grills	Approved by:
Scale: 1 1/2" = 1'-0"	Estimate #:	Approval Date:
Tolerance: 0.125"	Revision Date: 09-18-2019 / 01-02-2020	
Dwg: S:\_AutoCad Drawings\KAT_Clients-Estimates\CUSTOM CLIENTS\Hancock Grills\Hancock Grills		



www.warming-trends.com