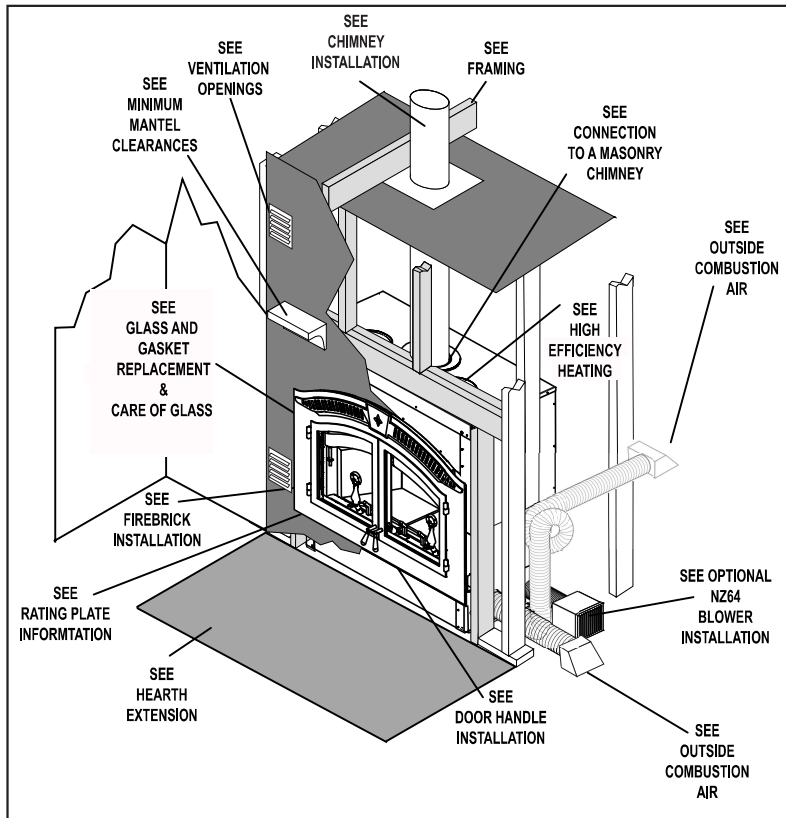


# HIGH COUNTRY™ 6000 WOOD FIREPLACE

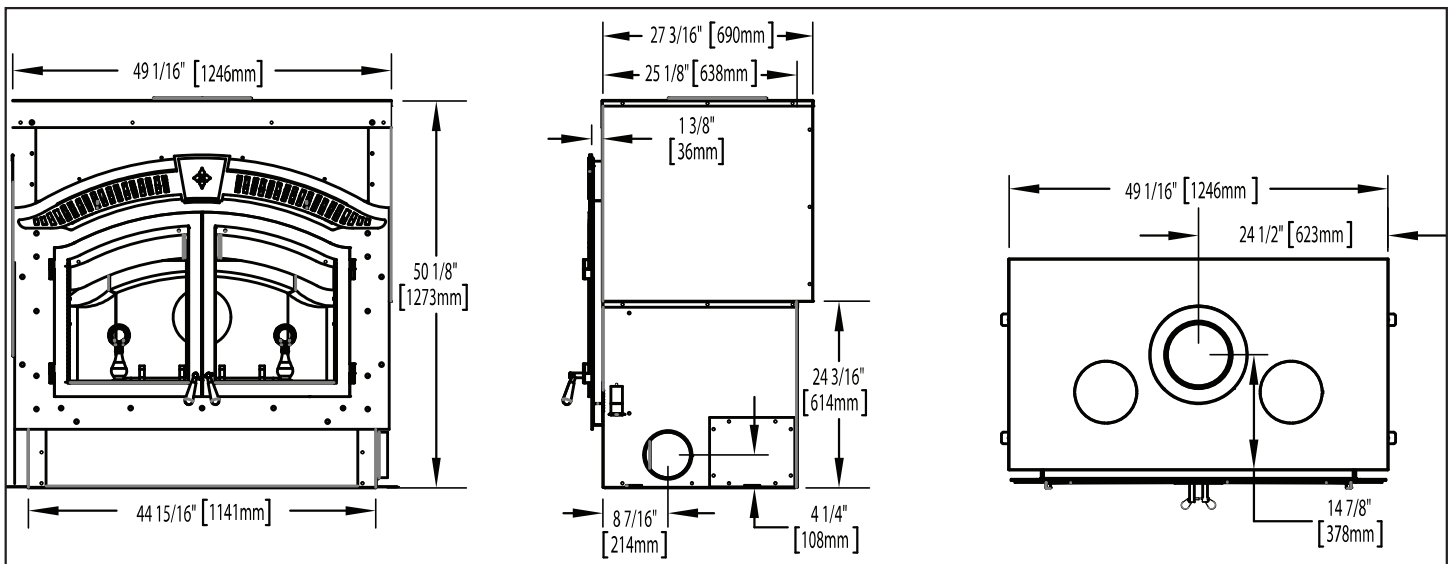
## Specifications

Model	BTU	Width		Height		Depth		Glass
		Actual	Framing	Actual	Framing	Actual	Framing	
NZ6000	100,000	44 15/16"	50"	50 1/8"	51"	27 3/16"	31"	16 3/8" x 21 3/8"

## Overview



## Dimensions



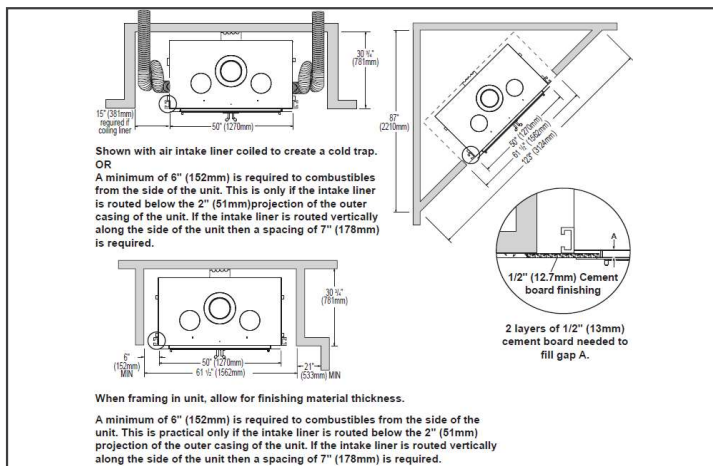
# HIGH COUNTRY™ 6000 WOOD FIREPLACE

## Framing & Clearances

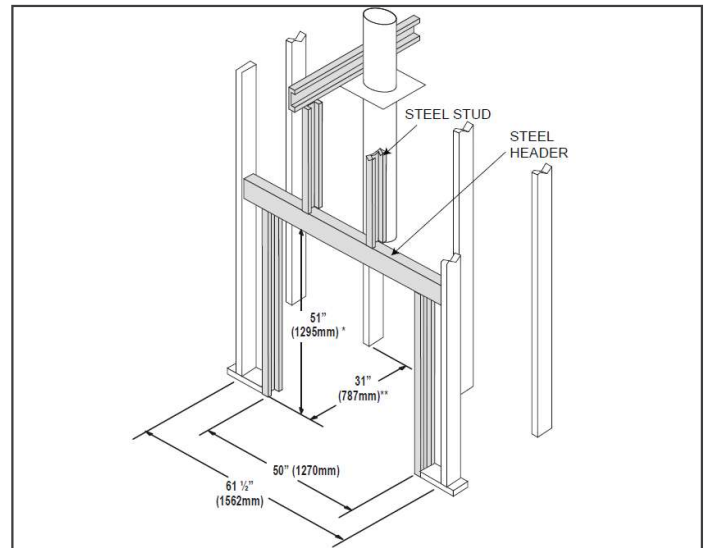
### Minimum Fireplace Clearances

<b>Framed Enclosure</b>	
Rear	- 0" (0mm) to stand-offs (rear)
Sides	- 6" (152mm) to sides*
Ceiling (enclosure)	- 120" (3048mm) from the base of the appliance (unless shielded with metal studs and cement board)
Ceiling (in front of appliance)	- 84" (2134mm) from the base of the appliance
Chimney	- 2" (51mm) (follow manufacturers instructions)
Hot air Gravity Ductwork Insulation	- 1" (25mm)
<b>Solid Pack Chimney</b>	
Ceiling (enclosure)	- 120" (3048mm) from the base of the appliance (unless shielded with metal studs and cement board).
<b>Air Cooled</b>	
Ceiling (enclosure)	- 84" (2134mm) from the base of the appliance

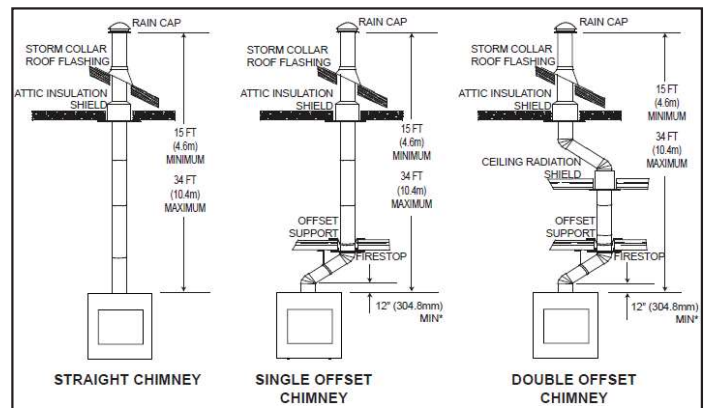
### Appliance Location



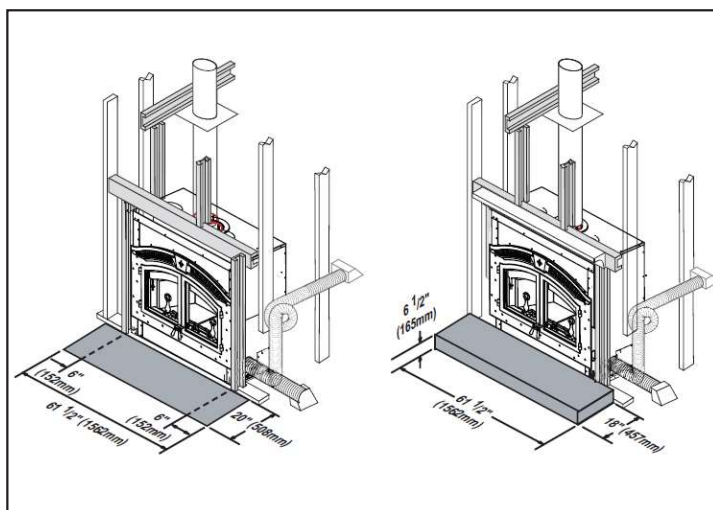
### Framing Dimensions



### Typical Chimney Installation



### Hearth Extension



Product information provided is not complete and is subject to change without notice. Please consult the installation manual for the most up to date installation information.

### Combustible Mantel Clearances

An optional combustible mantel must be a minimum of 12" (305mm) above the top of the faceplate and not to extend more than 2" (51mm) from the surface. See chart below for further information.

