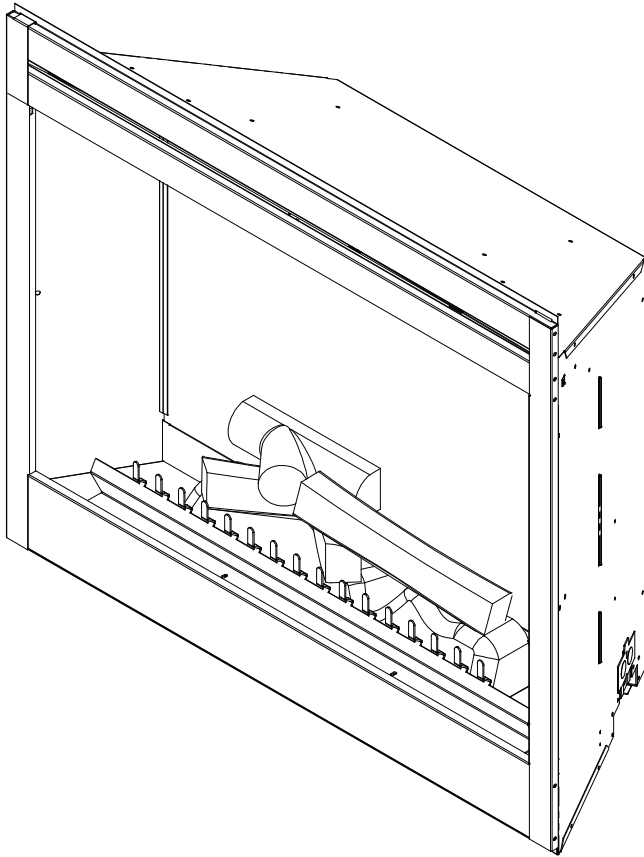


EMPIRE

COMFORT SYSTEMS

SINCE 1932



Installation Guide

Model
EF39

IMPORTANT SAFETY INFORMATION: Always read this manual first before attempting to install or use this fireplace. For your safety, always comply with all warnings and safety instructions contained in this manual to prevent personal injury or property damage.

To view the full line of Empire products, please visit
www.empirecomfort.com

7206350600R01

Table of Contents

Listing and Code Approvals	3
Model Specifications	3
Step-by-Step Installation	3
Section A: Installation information	4
Framing Dimensions	4
Mounting Flanges	4
Section B: General Electrical Information	5
Recommended Power Supply Wire Specifications	5
Voltage Selector Switch Location	5
Section C: Direct Power Wiring	6
240V Installation	6
120V Installation	6
120V Installation - No Heat Installation	7
Section D: Alternate Control Options	8
240V Main Power Wall Switch	8
120V Main Power Wall Switch	9
120V Main Power Wall Switch - No Heat	10
120V/240V Heater Wall Switch Control	11
120V/240V Wall Mounted Thermostat	12
120V/240V Wall Mounted Flame Override Switch	13
Unit Internal Wiring Diagram	14

! NOTE: Procedures and techniques that are considered important enough to emphasize.

⚠ CAUTION: Procedures and techniques which, if not carefully followed, will result in damage to the equipment.

⚠ WARNING: Procedures and techniques which, if not carefully followed, will expose the user to the risk of fire, serious injury, or death.

LISTING AND CODE APPROVALS

The EF39 fireplace has been tested in accordance with the UL 2021 and CSA C22.2 No. 46 standards for fixed and location-dedicated electric room heaters.

MODEL SPECIFICATIONS

Model Number	Description	Voltage	Rated Power (Watts)	Remote Control	Wall Thermostat	Refractory Brick Look	Current Draw (Amps)			
							No Heat 120V	120V	208V	240V
EF39	39" Deluxe	120/120/ 208/240	245/1440/ 2100/2700	Optional	Optional	Included	2.0	12.0	10.10	11.25

! NOTE: Power ratings shown include the light bulbs and motors (275 watts)

The installation of the fireplace unit must comply with the applicable Local and/or National Electrical Codes and utility requirements. This installation should be entrusted to duly qualified personnel where required by law.

STEP-BY-STEP INSTALLATION

! NOTE: Please read all instructions before installing.

1. Rough in framing opening following the recommended dimensions located in Section A: Framing Dimensions.
2. Allow 8" (20.3 cm) of service cable for connecting power supply wire to junction box on fireplace when installing before finishing wall. Allow up to 4' (121.9 cm) of service cable for connecting power supply wire to junction box on fireplace when installing after finishing wall. Remove the outer jacket and strip the individual conductors ½" (1.3 cm) from the end.
3. Loosen the screw securing the junction box cover and remove the cover.
4. Remove knockouts, if necessary, or use the provided cable clamp.
5. Place unit in position in the framed opening, level with shims if necessary and attach unit to frame using mounting flanges provided (Figure 2).

6. Unit is factory wired for 208/240V power supply. If 120V operation is required, slide the switch and reconfigure the wiring (Section C). Wires L1, L2, N & G are attached to the rear of the junction box cable clamp for easy access.

! NOTE: If wiring unit to operate with **NO** heat a dedicated circuit may not be required.

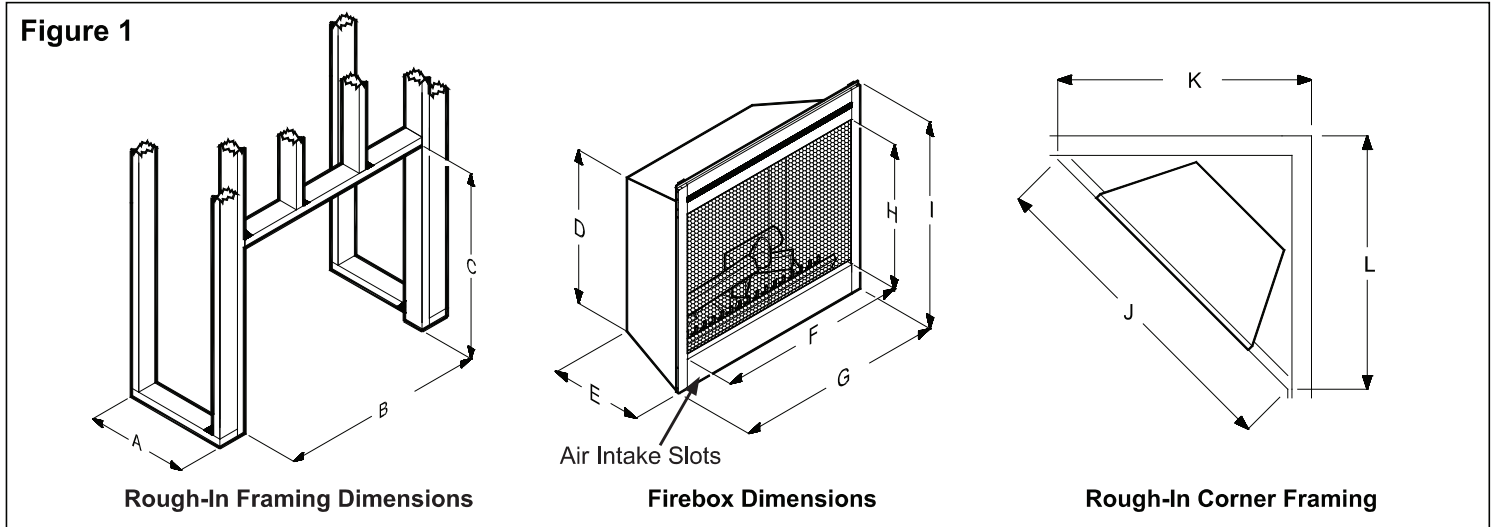
7. Wire a dedicated, properly fused circuit with a 15amp rating for the appropriate voltage (120V, 208/240V). See Section C for factory setting wiring.
8. Make wall switch and or wall mounted thermostat connections as outlined in Section D.
9. Place all connectors inside the unit and secure the junction box cover to unit. Ensure that the cable clamp grips only the jacket of service cable, thermostat and if applicable wall switch lines.

⚠ WARNING: Ensure method of installation does NOT obscure the air intake slots on bottom front of unit in any manner. (See diagram in Section A)

SECTION A: INSTALLATION INFORMATION

FRAMING DIMENSIONS

A	B -0 / +0.1	C -0 / +0.1	D	E	F	G	H	I	J	K	L
16.0" (40.5cm)	39" (99.1cm)	32.9" (83.6cm)	30.1" (76.5cm)	15.3" (38.9cm)	36.0" (91.4cm)	38.7" (98.3cm)	22.8" (57.9cm)	32.7" (83.1cm)	54.0" (137.2cm)	38.0" (96.5cm)	38.0" (96.5cm)

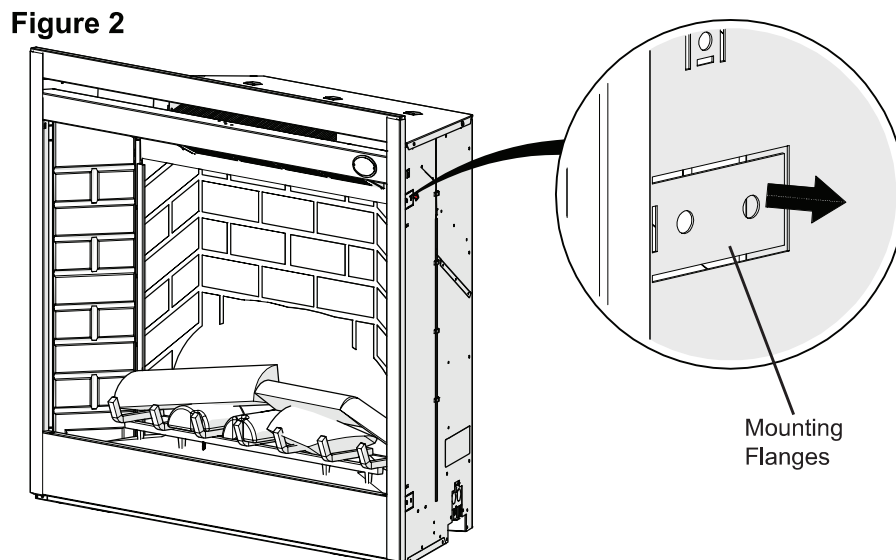


This fireplace is a zero clearance design, with the exception of the top of the unit, where any insulation and vapor barrier should be placed a minimum of 2" (5.1 cm) from the unit. No combustibles can be placed on the top surface of the fireplace.

CAUTION: Ensure installation does not allow fireplace to be in direct contact with building vapor barrier or insulation and meets all local building code.

Four mounting flanges on the sides of the unit are provided to facilitate installation.

MOUNTING FLANGES



There are two mounting flanges located on each side of the fireplace insert.

From the inside of the unit, bend tabs outward and mount to the inside of the framing using suitable hardware.

SECTION B: GENERAL ELECTRICAL INFORMATION

RECOMMENDED POWER SUPPLY WIRE SPECIFICATIONS

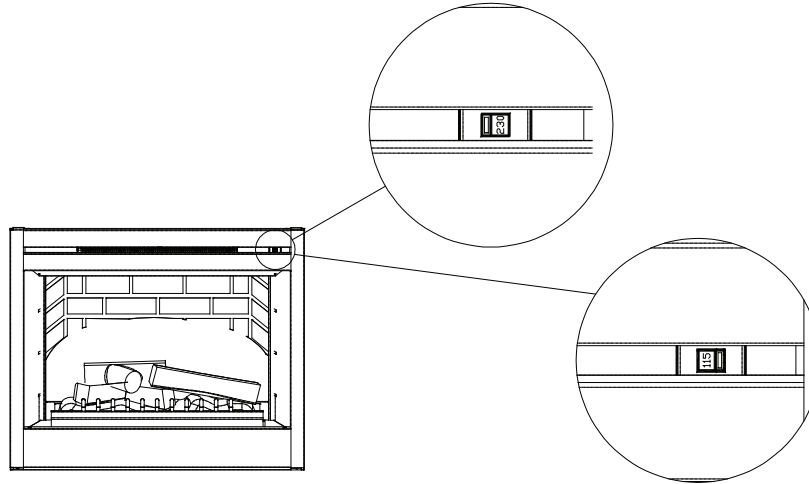
For 120V installations use two conductor, non-metallic sheath cable with ground wire (3 wires total) for the incoming power supply on fireplace inserts. Use the appropriate wire to meet local and national electrical codes for rated power consumption.

For 208V / 240V installations use three conductor, non-metallic sheath cable with ground wire (4 wires total) for the incoming power supply on fireplace inserts. Use the appropriate wire to meet local and national electrical codes for rated power consumption.

Two conductor, non-metallic sheath cable with ground wire (3 wires total) is recommended for installation of a wall mounted thermostat and/or wall switch for use on fireplace inserts. Use appropriate wire to meet local and national electrical codes for rated power consumption. All wire gauges should match the recommended wire sizes shown below.

Voltage	Wire Gauge	Fuse Rating
120 Volts	14 Gauge	15 Amp
208 Volts	14 Gauge	15 Amp
240 Volts	14 Gauge	15 Amp

VOLTAGE SELECTOR SWITCH LOCATION



! IMPORTANT: Ensure that the incoming power supply voltage matches the setting of the voltage selector switch.

! NOTE: The voltage selector switch is located inside the exhaust panel on the top right hand corner.

⚠ CAUTION: When changing the voltage selector switch from 240V to 120V ensure that the power supply is turned off.

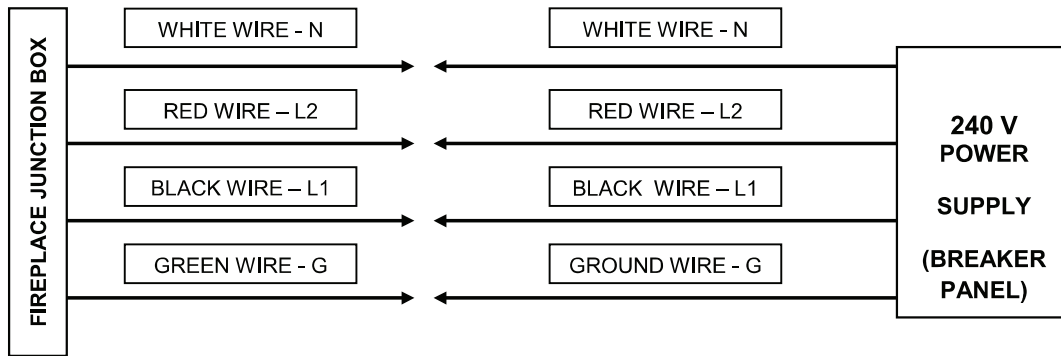
! NOTE: Carefully insert a flat headed screwdriver inside the exhaust panel to change the switch from 240V (230 position) to 120V (115 position).

When wiring the unit for 208V / 240V the voltage selector switch should be in the 230V position.

When wiring the unit for 120V the voltage selector switch should be in the 115V position.

SECTION C: DIRECT POWER WIRING

240V INSTALLATION



! **IMPORTANT:** The unit is factory configured for 208/240V operation.

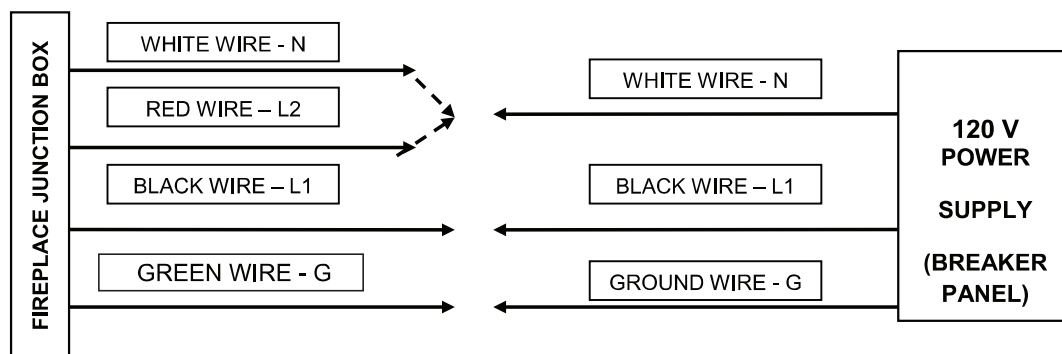
! **NOTE:** Use 3 conductor wires with ground (4 wires total) from the power supply (breaker panel) to the junction box on the unit.

! **NOTE:** All wiring must be completed prior to installing the unit.

! **NOTE:** Ensure that the voltage selector switch is in the proper position for the required supply voltage prior to connecting the unit to the power supply.

1. Locate the voltage selector switch inside the exhaust panel on the top right hand corner of the unit. **Ensure that the switch is in the 240V position. (230 is printed on switch)**
2. Loosen the screw securing the junction box cover and remove the cover.
3. Remove the knockouts (if necessary) or use the provided cable clamp.
4. Pull out the four wires marked L1, L2, N, and G.
5. Connect L1 (black) from the unit to the L1 (black) from the power supply.
6. Connect L2 (red) from the unit to the L2 (red) from the power supply.
7. Connect N (white) from the unit to the Neutral (white) from the power supply.
8. Connect the ground wire (green) from the unit to the ground from the power supply.
9. Ensure that all connections are tight.
10. Insert all the wiring back into the unit and secure with a cable clamp.

120V INSTALLATION



! **IMPORTANT:** The unit is factory configured for 208/240V operation.

! **NOTE:** Use 2 conductor wires with ground (3 wires total) from the power supply (breaker panel) to the junction box on the unit.

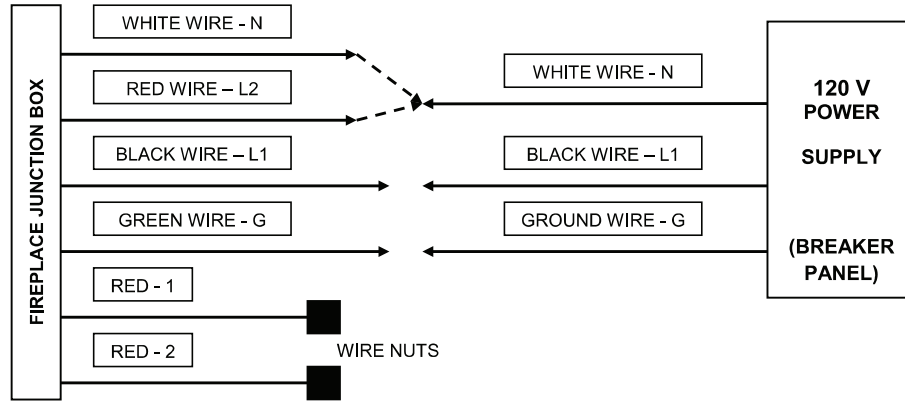
! **NOTE:** All wiring must be completed prior to installing the unit.

! **NOTE:** Ensure that the voltage selector switch is in the proper position for the required supply voltage prior to connecting the unit to the power supply.

1. Locate the voltage selector switch inside the exhaust panel on the top right hand corner of the unit. **Flip the switch from 240V to 120V configuration. (230 and 115 is printed on switch)**
2. Loosen the screw securing the junction box cover and remove the cover.

3. Remove the knockouts (if necessary) or use the provided cable clamp.
4. Pull out the four wires marked L1, L2, N, and G.
5. Connect L1 (black) wire from the unit to the L1 (black) from the power supply.
6. Connect L2 (red) and N (white) from the unit to the Neutral (white) from the power supply.
7. Connect the ground wire (green) from the unit to the ground from the power supply.
8. When the unit has been configured for the appropriate power supply voltage, ensure that all connections are tight.
9. Insert all the wiring back into the unit and secure with a cable clamp.

120V INSTALLATION - NO HEAT INSTALLATION



! **IMPORTANT:** The unit is factory configured for 208/240V operation.

! **NOTE:** Use 2 conductor wires with ground (3 wires total) from the power supply (breaker panel) to the junction box on the unit.

! **NOTE:** All wiring must be completed prior to installing the unit.

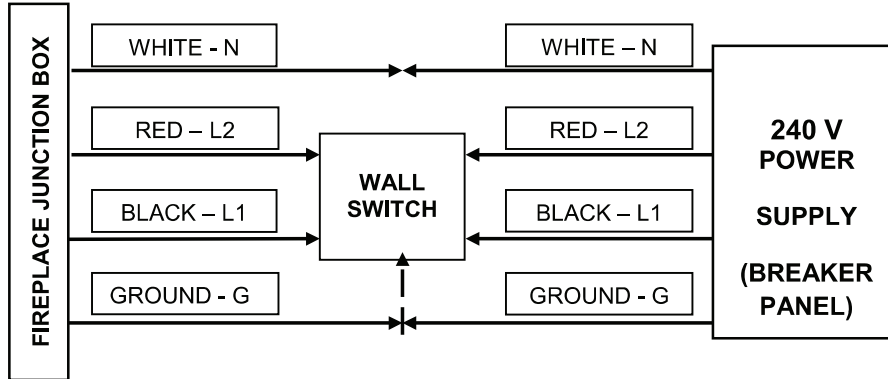
! **NOTE:** Ensure that the voltage selector switch is in the proper position for the required supply voltage prior to connecting the unit to the power supply.

! **NOTE:** the fan will operate without heat in this application.

1. Locate the voltage selector switch inside the exhaust panel on the top right hand corner of the unit. **Flip the switch from 240V to 120V configuration. (230 and 115 is printed on switch)**
2. Loosen the screw securing the junction box cover and remove the cover.
3. Remove the knockouts (if necessary) or use the provided cable clamp.
4. Pull out the four wires marked L1, L2, N, and G.
5. Connect L1 (black) wire from the unit to the L1 (black) from the power supply.
6. Connect L2 (red) and N (white) from the unit to the Neutral (white) from the power supply.
7. Connect the ground wire (green) from the unit to the ground from the power supply.
8. Locate and separate, by installing a wire nut on the 1 (red) and 2 (red).
9. When the unit has been configured for the appropriate power supply voltage, ensure that all connections are tight.
10. Insert all the wiring back into the unit and secure with a cable clamp.

SECTION D: ALTERNATE CONTROL OPTIONS

240V MAIN POWER WALL SWITCH



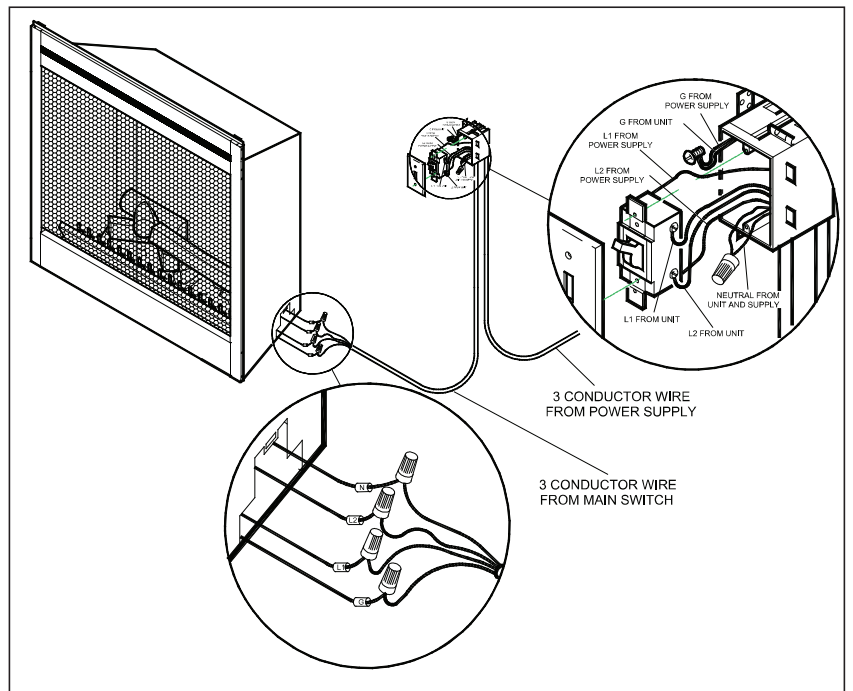
! **NOTE:** This option should **not** be used with the remote control kit.

! **NOTE:** Before installing the unit have the following wires installed:

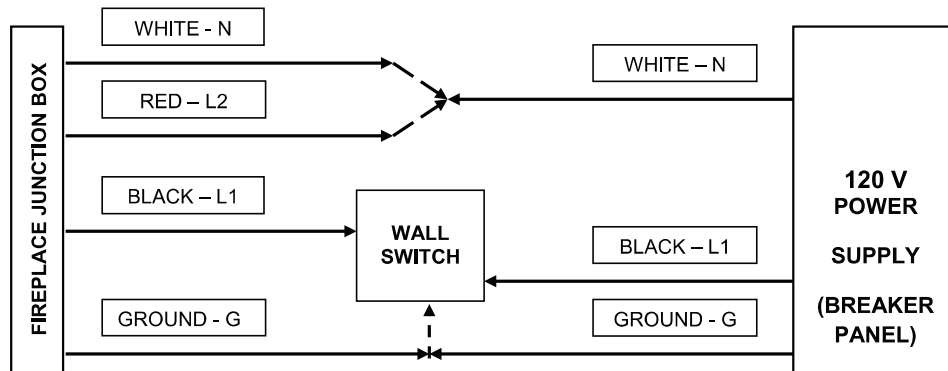
1. A 3 conductor wire with ground (4 wires total) from the power supply panel to the main switch wall box.
2. A 3 conductor wire with ground (4 wires total) from the main switch wall box to the junction box on the unit.

! **NOTE:** Use a double pole, single throw (On/Off) wall switch that is rated for a minimum of 15 amps.

1. Locate the voltage selector switch inside the exhaust panel on the top right hand corner of the unit. **Ensure that the switch is in the 240V position. (230 is printed on switch)**
2. Loosen the screw securing the junction box cover and remove the cover.
3. Remove the knockouts (if necessary) or use the provided cable clamp.
4. Pull out the four wires marked L1, L2, N, and G. (black, red, white and green)
5. Connect the L1 (black) wire from the unit to the L1 (black) wire from the main power wall switch by using a wire connector (not supplied).
6. Connect other end of L1 (black) wire from the main power wall switch to the L1 terminal of the main power wall switch.
7. Connect the L2 (red) wire from the unit to the L2 (red) wire from the main power wall switch by using a wire connector (not supplied).
8. Connect the other end of the L2 (red) wire from the main power wall switch to the L2 terminal of the main power wall switch.
9. Connect the N (white) wire from the unit to the N (white) wire from the main power wall switch by using a wire connector (not supplied).
10. Connect the G (green) wire from the unit to the G (green) wire from the main power wall switch by using a wire connector (not supplied).
11. Connect the L1 wire from the power supply to the L1 terminal of the main power wall switch.
12. Connect the L2 (black) wire from the power supply to the L2 terminal of the main power wall switch.
13. Connect the N (white) wire from the power supply to the remaining N (white) wire from the unit by using a wire connector.
14. Secure the 2 remaining G (green) wires with a ground screw in the main switch wall box.
15. Ensure that all connections are tight.
16. Insert all the wiring of the main power wall switch into the main switch wall box.
17. Insert all the wiring back into the unit and secure with a cable clamp.



120V MAIN POWER WALL SWITCH



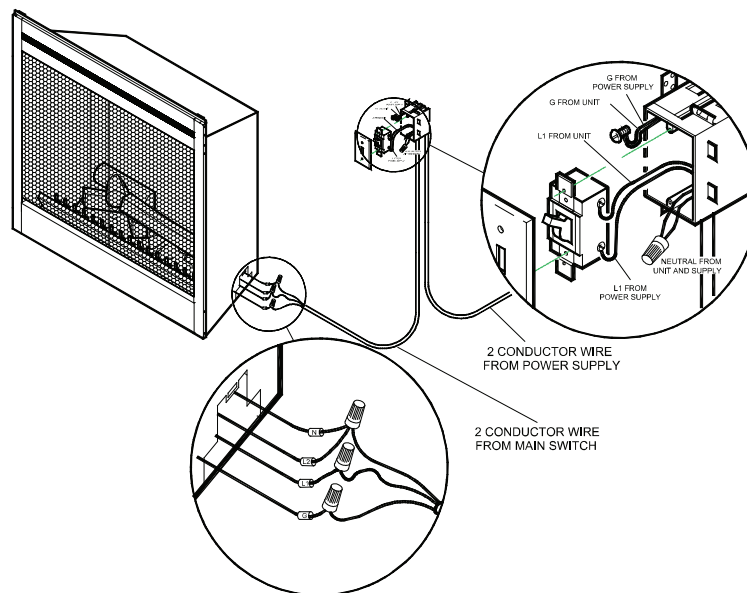
! **NOTE:** This option should **not** be used with the remote control kit.

! **NOTE:** Before installing the unit have the following wires installed:

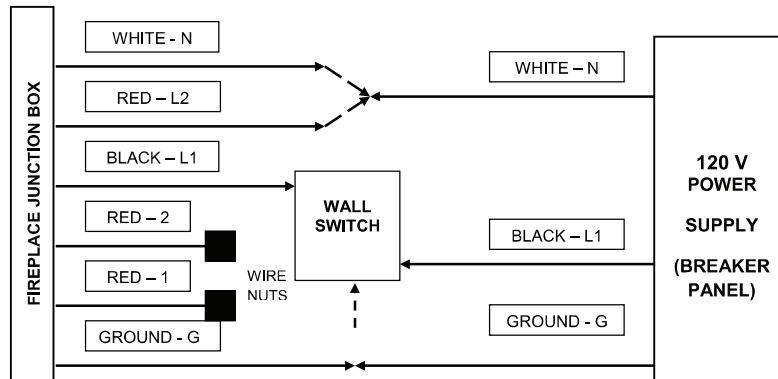
1. A 2 conductor wire with ground (3 wires total) from the power supply panel to the main switch wall box.
2. A 2 conductor wire with ground (3 wires total) from the main switch wall box to the junction box on the unit.

! **NOTE:** Use a single pole, single throw (On/Off) wall switch that is rated for a minimum of 15 amps.

1. Locate the voltage selector switch inside the exhaust panel on the top right hand corner of the unit. **Ensure that the switch is in the 120V position. (115 is printed on switch)**
2. Loosen the screw securing the junction box cover and remove the cover.
3. Remove the knockouts (if necessary) or use the provided cable clamp.
4. Pull out the four wires marked L1, L2, N, and G (black, red, white and green).
5. Connect L1 (black) from the unit to the L1 (black) from the main power wall switch using a wire connector (not supplied).
6. Connect the other end of L1 (black) to the L1 terminal of the main power wall switch.
7. Connect L2 (red) from the unit and N (white) from the unit to the Neutral wire (white) of the main power wall switch by using a wire connector (not supplied).
8. Connect the other end of the N (white) to the Neutral wire (white) from the power supply panel by using a wire connector (not supplied).
9. Connect Ground (green) from the unit to the Ground (green) wire of the main power wall switch by using a wire connector (not supplied).
10. Connect L1 (black) wire from the power supply to the L1 terminal of the main power wall switch.
11. Secure the 2 remaining Ground wires (green) with a ground screw in the main switch wall box.
12. Ensure that all connections are tight.
13. Insert all the wiring of the main power wall switch into the main switch wall box.
14. Insert all the wiring back into the unit and secure with a cable clamp.



120V MAIN POWER WALL SWITCH - NO HEAT



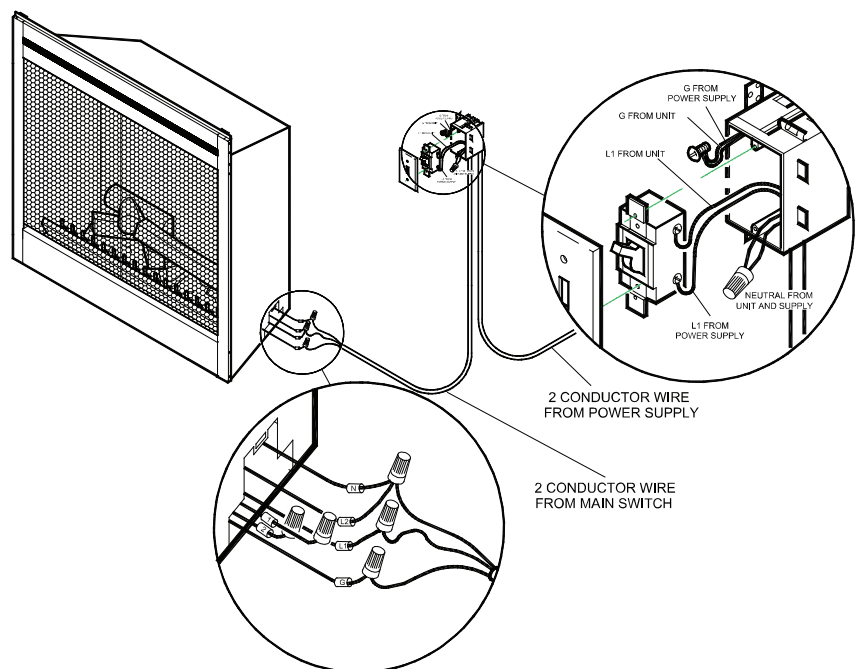
! **NOTE:** This option should not be used with the remote control kit.

! **NOTE:** Before installing the unit have the following wires installed:

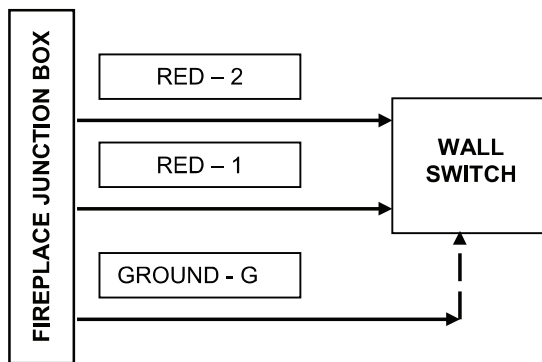
1. A 2 conductor wire with ground (3 wires total) from the power supply panel to the main switch wall box.
2. A 2 conductor wire with ground (3 wires total) from the main switch wall box to the junction box on the unit.

! **NOTE:** Use a single pole, single throw (On/Off) wall switch that is rated for a minimum of 15 amps.

1. Locate the voltage selector switch inside the exhaust panel on the top right hand corner of the unit. **Ensure that the switch is in the 120V position. (115 is printed on switch)**
2. Loosen the screw securing the junction box cover and remove the cover.
3. Remove the knockouts (if necessary) or use the provided cable clamp.
4. Pull out the four wires marked L1, L2, N, and G (black, red, white and green).
5. Connect L1 (black) from the unit to the L1 wire (black) from the main power wall switch using a wire connector (not supplied).
6. Connect the other end of the L1 wire (black) to the L1 terminal of the main power wall switch.
7. Connect L2 (red) from the unit and the N (white) from the unit to the Neutral wire (white) of the main power wall switch by using a wire connector (not supplied).
8. Connect the other end of the Neutral wire (white) to the Neutral wire (white) from the power supply panel by using a wire connector (not supplied).
9. Connect the Ground wire (green) from the unit to the Ground wire (green) of the main power wall switch by using a wire connector (not supplied).
10. Connect L1 (black) from the power supply to the L1 terminal of the main power wall switch.
11. Locate and separate by wire nut the 1 (red) and 2 (red).
12. Secure the 2 remaining Ground wires (green) with a ground screw in the main switch wall box.
13. Ensure that all connections are tight.
14. Insert all the wiring of the main power wall switch into the main switch wall box.
15. Insert all the wiring back into the unit and secure with a cable clamp.



120V/240V HEATER WALL SWITCH CONTROL

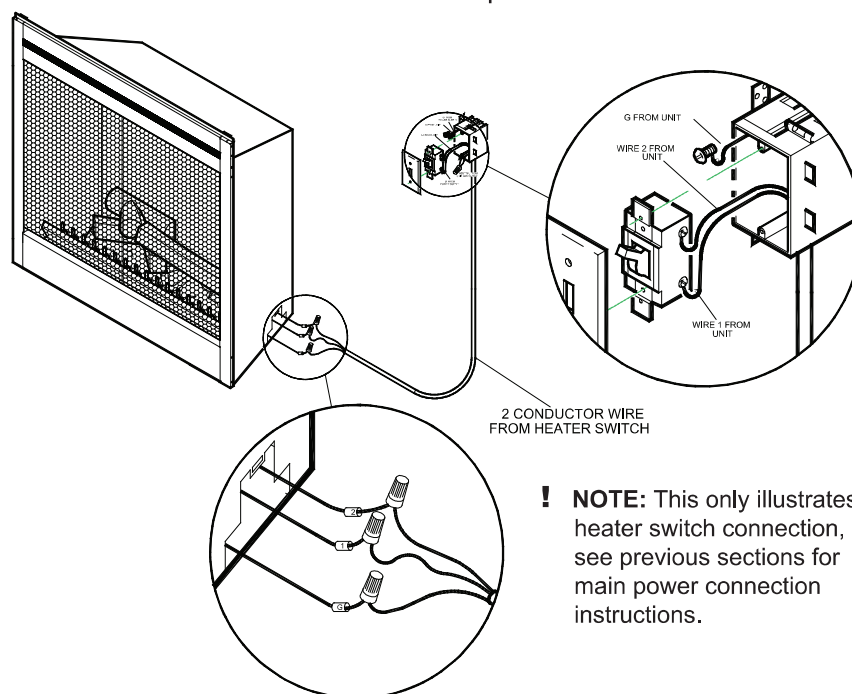


! NOTE: Before installing the unit complete the following:

1. Install main power connection with appropriate wiring - directly to the main power or through a wall switch.
2. Install a 2 conductor wire with ground (3 wires total) from the heater switch wall box to the junction box on the unit.

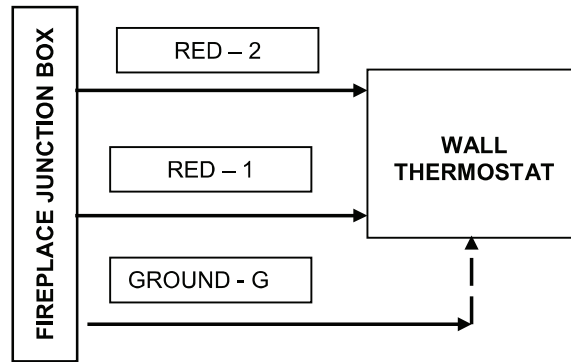
! NOTE: Use a heater wall switch (On/Off) that is rated for a minimum of 15 amps.

1. Loosen the screw securing the junction box cover and remove the cover.
2. Remove the knockouts (if necessary) or use the provided cable clamp.
3. Pull out the three wires marked 1, 2, and G (red, red, and green).
4. Remove the wire connector and separate the wires marked 1 and 2.
5. Connect the 1 wire (red) from the unit to the L1 wire (black) from the heater wall switch by using a wire connector (not supplied).
6. Connect the other end of L1 wire (black) from the heater wall switch to the L1 terminal of the heater wall switch.
7. Connect the 2 wire (red) from the unit to the Neutral wire (white) from the heater wall switch using a wire connector (not supplied).
8. Connect the other end of the Neutral wire (white) from the heater wall switch to the L2 terminal of the heater wall switch.
9. Connect the Ground wire (green) from the unit to the Ground wire (green) from the heater wall switch using a wire connector (not supplied).
10. Secure the remaining Ground wire (green) with a ground screw in the heater switch wall box.
11. Ensure that all connections are tight.
12. Insert all the wiring of the heater wall switch into the heater switch wall box.
13. Insert all the wiring back into the unit and secure with a cable clamp.



! NOTE: This only illustrates heater switch connection, see previous sections for main power connection instructions.

120V/240V WALL MOUNTED THERMOSTAT



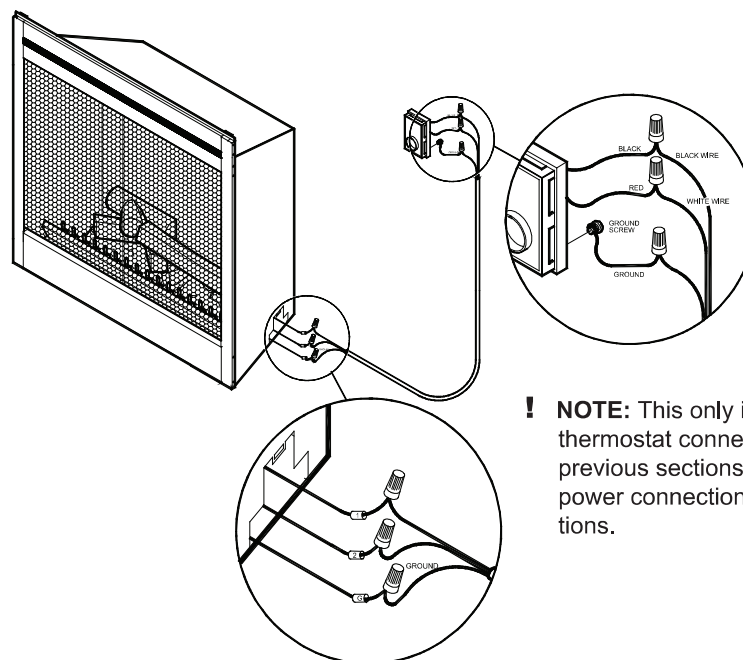
! **NOTE:** Before installing the unit complete the following:

1. Install main power connection with appropriate wiring - directly to the main power or through a wall switch.
2. Install a 2 conductor wire with ground (3 wires total) from the thermostat wall box to the junction box on the unit.

! **NOTE:** Wiring of the thermostat must be completed prior to installing the unit.

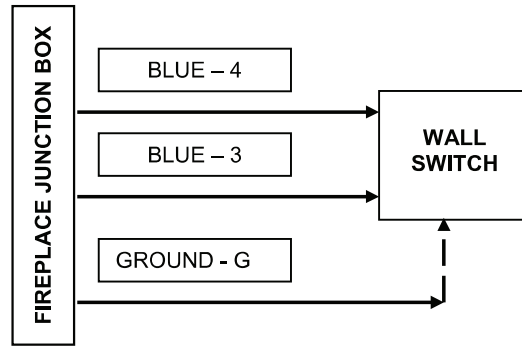
! **NOTE:** The following installation instructions are for a single pole thermostat.

1. Loosen the screw securing the junction box and remove the cover.
2. Remove the knockouts (if necessary) or use the provided cable clamp.
3. Pull out the three wires marked 1, 2, and G (red, red, and green).
4. Remove the wire connector and separate the wires marked 1 & 2.
5. Connect the 1 wire (red) from the unit to the Neutral (white) wire from the wall thermostat box by using a wire connector (not supplied).
6. Connect the other end of the Neutral (white) wire from the thermostat wall box to the red wire from the wall thermostat.
7. Connect the 2 wire (red) from the unit to the black wire from the thermostat wall box by using a wire connector (not supplied).
8. Connect the other end of the black wire from the thermostat wall box to the black wire from the wall thermostat.
9. Connect the Ground wire (green) from the unit to the Ground (green) wire from the thermostat wall box by using a wire connector (not supplied).
10. Connect the other end of the Ground wire (green) to the thermostat wall box ground screw.
11. Ensure that all connections are tight.
12. Insert all the wiring of the wall mounted thermostat into the wall box.
13. Insert all the wiring back into the unit and secure with a cable clamp.



! **NOTE:** This only illustrates thermostat connection, see previous sections for main power connection instructions.

120V/240V WALL MOUNTED FLAME OVERRIDE SWITCH



DO NOT USE WITH NO HEAT INSTALLATIONS

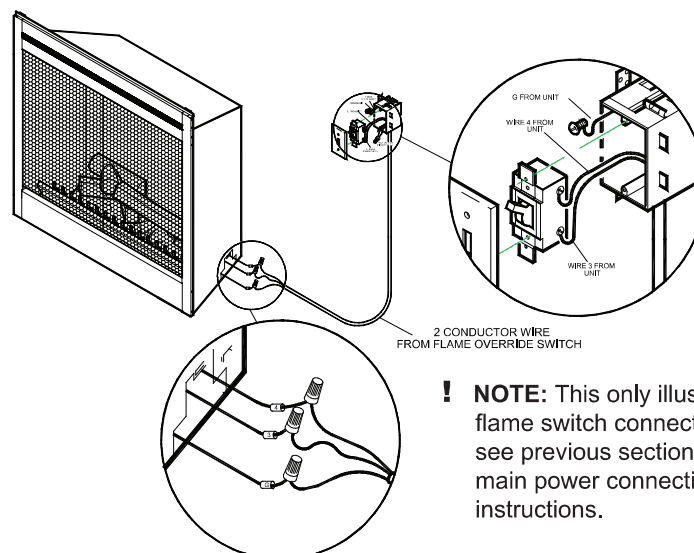
! **NOTE:** The fireplace can be wired to have a wall switch operate the flame independent of the heater.

! **NOTE:** Before installing the unit complete the following:

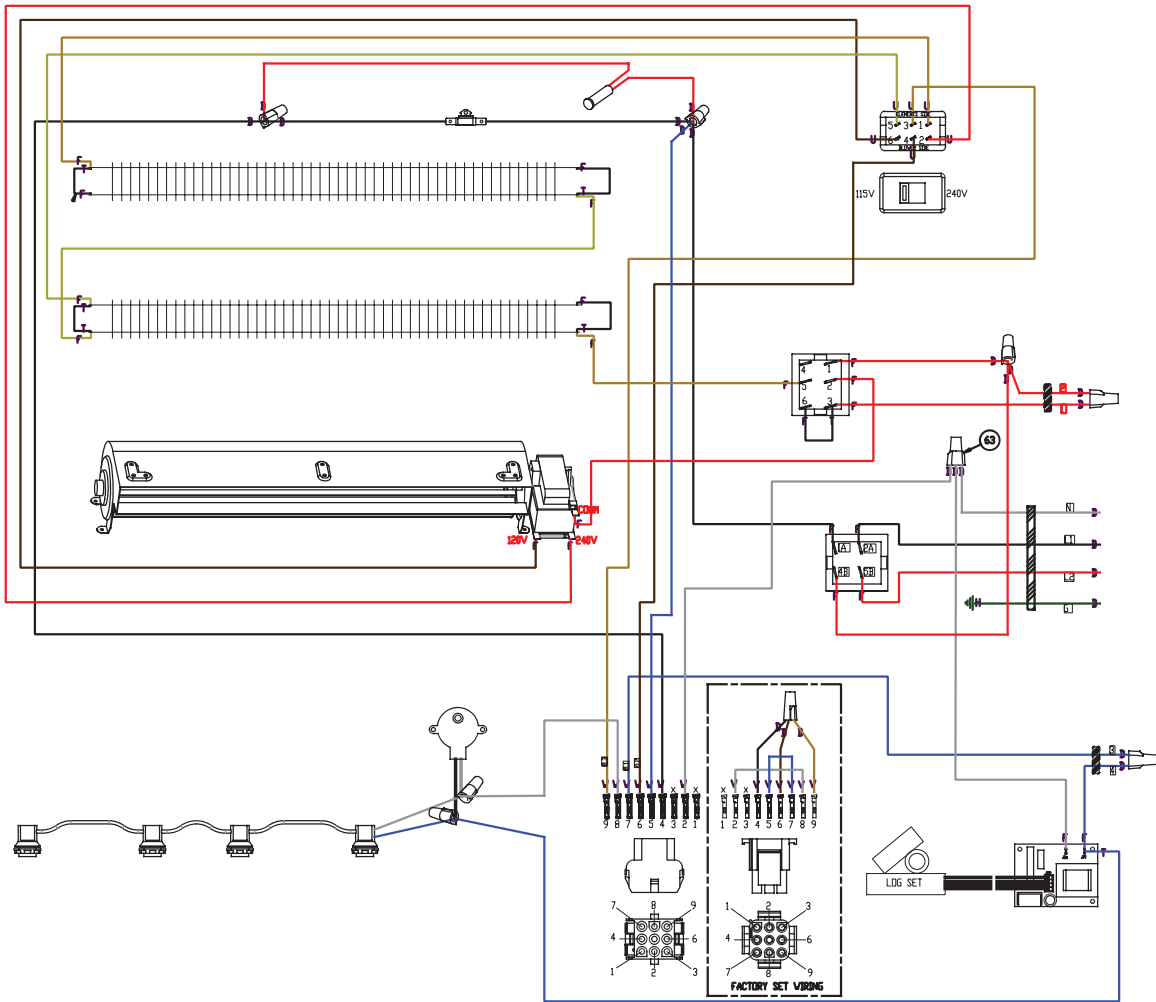
1. Install main power connection with appropriate wiring - directly to the main power or through a wall switch.
2. Install a 2 conductor wire with ground (3 wires total) from the flame override switch wall box to the junction box on the unit.

! **NOTE:** Use a wall switch (On/Off) that is rated for a minimum of 15 amps.

1. Loosen the screw securing the junction box cover and remove the cover.
2. Remove the knockouts (if necessary) or use the provided cable clamp.
3. Pull out the three wires marked 3, 4, and G (blue, blue, and green).
4. Remove the wire connector and separate the wires marked 3 and 4.
5. Connect 3 wire (blue) from the unit to the L1 wire (black) from the flame override wall switch by using a wire connector (not supplied).
6. Connect the other end of the L1 wire (black) from the flame override wall switch to the L1 terminal of the flame override wall switch.
7. Connect 4 wire (blue) from the unit to the Neutral wire (white) from the flame override wall switch using a wire connector (not supplied).
8. Connect the other end of the Neutral wire (white) from the flame override wall switch to the L2 terminal of the flame override wall switch.
9. Connect the Ground wire (green) from the unit to the Ground wire (green) from the flame override wall switch using a wire connector (not supplied).
10. Secure the remaining Ground wire (green) with a ground screw in the flame override switch wall box.
11. Ensure that all connections are tight.
12. Insert all the wiring of the heater wall switch into the heater switch wall box.
13. Insert all the wiring back into the unit and secure with a cable clamp.



UNIT INTERNAL WIRING DIAGRAM



Empire Comfort Systems Inc.
Belleville, IL

If you have general questions about our products, please e-mail us at info@empirecomfort.com.

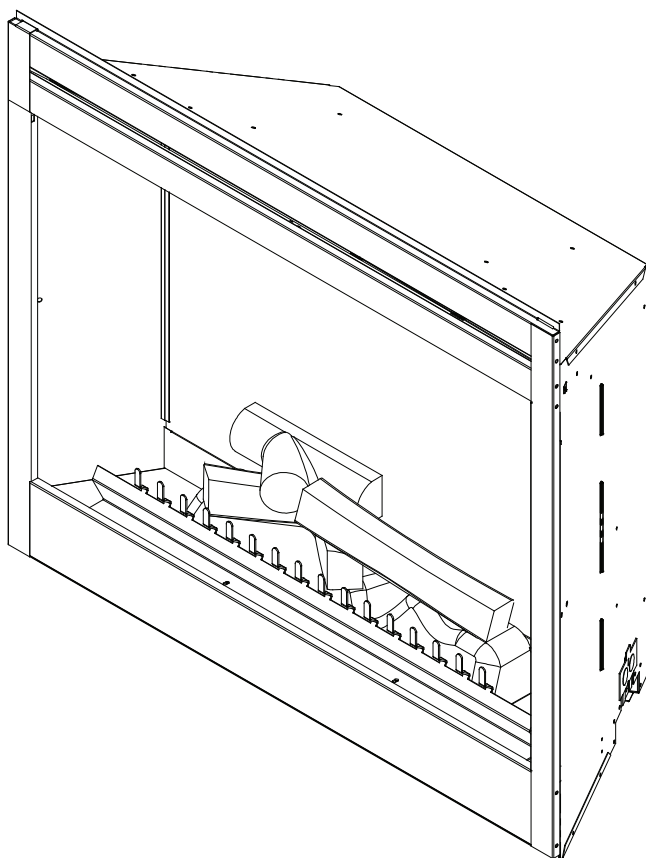
If you have a service or repair question, please contact your dealer.



SINCE 1932

EMPIRE

COMFORT SYSTEMS



GUÍA DE INSTALACIÓN

Modelo
EF39

INFORMACIÓN DE SEGURIDAD IMPORTANTE: Lea este manual antes de intentar instalar o usar este calentador de aire. Para su seguridad, tome en cuenta todas las advertencias e instrucciones de seguridad de este manual para evitar lesiones corporales o daños materiales.

Para ver toda la línea de productos Empire, visite
www.empirecomfort.com

7206350600R01

Listado y códigos de homologación	3
Especificaciones del modelo	3
Instalación paso a paso	3
Sección A: Información de instalación	4
Estructura	4
Pestañas de montaje.	4
Sección B: Información eléctrica general	5
Especificaciones recomendadas para la instalación eléctrica	5
Ubicación del interruptor de selección del voltaje	5
Sección C: Cableado de alimentación directa	6
Instalación 240 Volt	6
Instalación 120 Volt	6
Instalación 120 Volt - sin instalación de calor	7
Sección D: Opciones alternativas de control	8
Instalación 240V de alimentación principal de interruptor de pared	8
Instalación 120V de alimentación principal de interruptor de pared	9
Instalación 120V de alimentación principal de interruptor de pared - sin instalación de calor	10
Calentador de pared Interruptor de Control para las instalaciones de 120/240 voltios	11
Conexión del termostato de pared para las instalaciones de 120/240 voltios	12
Montado en la pared Flame conmutador de anulación para las instalaciones de 120/240 voltios	13
Diagrama de conexión eléctrica.	14

! NOTA: Procedimientos y técnicas que se considera importante destacar.

⚠ PRECAUCIÓN: En caso de no seguir los procedimientos y técnicas cuidadosamente, se dañará el equipo.

⚠ ADVERTENCIA: Procedimientos y técnicas que, en caso de no seguirse cuidadosamente, expondrán al usuario a riesgo de incendio, lesión grave o muerte.

LISTADO Y CÓDIGOS DE HOMOLOGACIÓN

El calentador de aire EF39 ha sido testados de acuerdo con las normas UL 2021 y CSA C22.2 n° 46 para los calentadores domésticos fijos y para una ubicación específica.

ESPECIFICACIONES DEL MODELO

Número de Modelo	Descripción	Voltios	Vatios nominales	Control remoto	Termostato de pared	Ladrillo refractario	AMP.			
							Sin calefacción 120 voltios	120 voltios	208 voltios	240 voltios
EF39	39" de lujo	120/120/ 208/240	245/1440/ 2100/2700	Opcional	Opcional	Incluido	2.0	12.0	10.10	11.25

! NOTA: Las potencias nominales indicadas incluyen las bombillas y el motor (275 W).

La instalación del calentador de aire debe cumplir con la normativa local y nacional vigente, y con los requisitos de servicio. Debería confiarse su instalación a personal debidamente homologado según la legislación vigente.

INSTALACIÓN PASO A PASO

! NOTA: Por favor, lea todas las instrucciones antes de proceder a realizar la instalación.

1. Hacer la abertura de encuadrado siguiendo las dimensiones recomendadas que hallarán en la Sección A: Estructura.
2. Deje 20,3 cm (8") de cable fuera para conectar el cable de alimentación a la caja de conexiones del calentador de aire cuando se instale éste antes de acabar la pared. Deje 122 cm (4 pies) de cable fuera para conectar el cable de alimentación a la caja de conexiones del calentador de aire cuando se instale éste después de acabar la pared. Quite la funda exterior y pele cada uno de los conductores unos 12 mm (½").
3. Afloje el tornillo que fija la tapa de la caja de conexiones y quite la tapa.
4. Quite los separadores, si fuera necesario, o utilice la mordaza del cable que se suministra.
5. Coloque el aparato en posición dentro de la abertura con marco, nivélelo con calzos si fuera necesario y fije el aparato dentro de la estructura utilizando las pestañas de montaje que se suministran (Figura 2).
6. El aparato lleva una conexión eléctrica de fábrica para una toma de 208/240 voltios. Si se necesita que funcione con 120 voltios, cambie la posición del interruptor y reconfigure la instalación eléctrica (Sección C). Los cables L1, L2, N y G son fácilmente accesibles desde la parte posterior de la abrazadera de los cables en la caja de conexiones.

! NOTA: Si el aparato de conexión va a funcionar **SIN** calor, no es necesario un circuito especial.

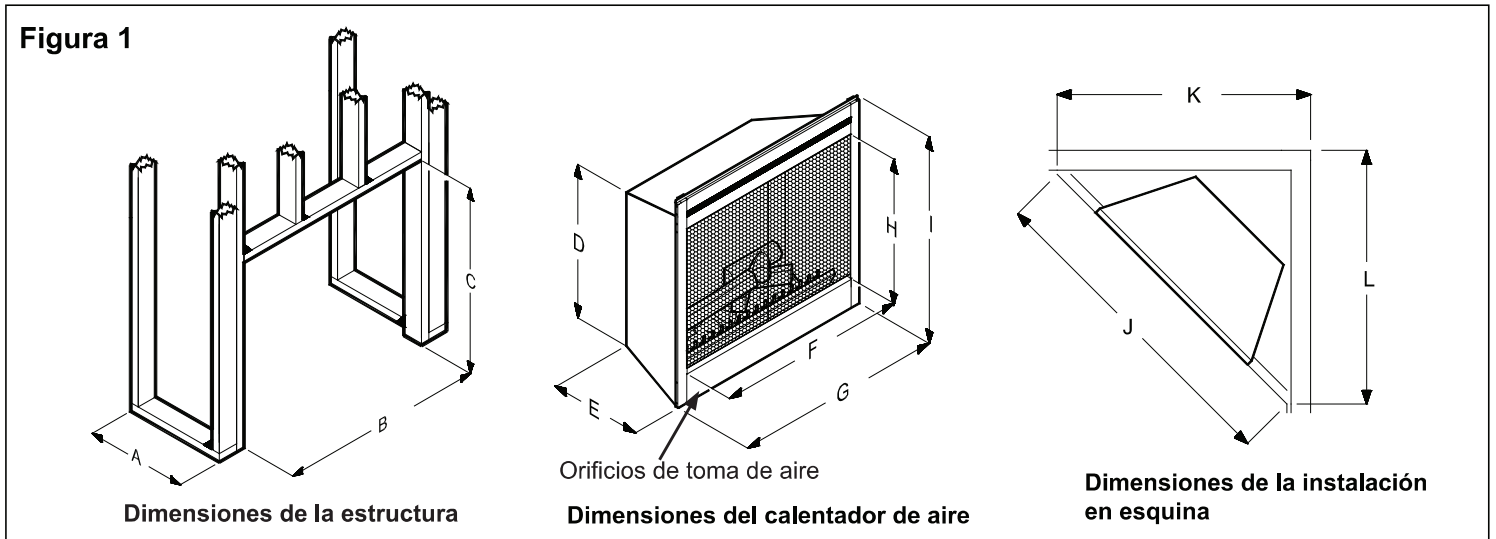
7. Conecte un circuito especial con un fusible de 15 amperios de potencia nominal para el voltaje adecuado (120, 208/240). Ver la Sección C respecto a la conexión eléctrica de fábrica.
8. Realice las conexiones del interruptor o del termostato en la pared, tal y como se indica en la Sección D: Conexión eléctrica.
9. Coloque todos los conectores dentro del aparato y fije la tapa de la caja de conexiones al aparato. Compruebe que la mordaza del cable sólo sujeta la funda del cable de servicio, del termostato y, si es el caso, de las líneas eléctricas a los interruptores de la pared.

⚠ ADVERTENCIA: Compruebe que el método de instalación NO taponen en ningún modo los orificios de entrada de aire en la parte frontal inferior del aparato. (Ver el diagrama de la Sección A).

SECCIÓN A: INFORMACIÓN DE INSTALACIÓN

ESTRUCTURA

A	B -0 / +0.1	C -0 / +0.1	D	E	F	G	H	I	J	K	L
16.0 in (40.5cm)	39 in (99.1cm)	32.9 in (83.6cm)	30.1 in (76.5cm)	15.3 in (38.9cm)	36.0 in (91.4cm)	38.7 in (98.3cm)	22.8 in (57.9cm)	32.7 in (83.1cm)	54.0 in (137.2cm)	38.0 in (96.5cm)	38.0 in (96.5cm)

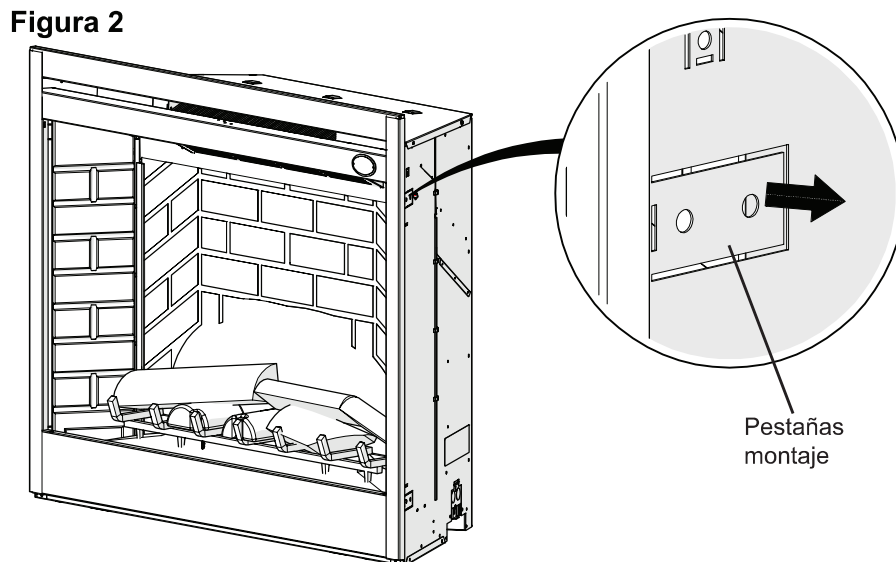


Este calentador de aire ha sido diseñado sin espacio de seguridad, con la excepción de la parte superior de la unidad, donde cualquier la protección aislante y contra el vapor debe colocarse a un mínimo de 5 cm (2") del aparato. No se pueden colocar combustibles en la superficie del calentador de aire.

⚠ PRECAUCIÓN: Asegurar la instalación no permite chimenea para estar en contacto directo con barrera de vapor edificio o de aislamiento y cumple con todos los códigos de construcción local.

Se suministran cuatro pestañas de montaje para los laterales del aparato y así facilitar la instalación.

PESTAÑAS DE MONTAJE



Hay dos pestañas de montaje situadas a cada lado de la inserción del calefactor de aire.

Doble las pestañas y móntelas dentro del encuadramiento utilizando las herramientas adecuadas.

SECCIÓN B: INFORMACIÓN ELÉCTRICA GENERAL

ESPECIFICACIONES RECOMENDADAS PARA LA INSTALACIÓN ELÉCTRICA

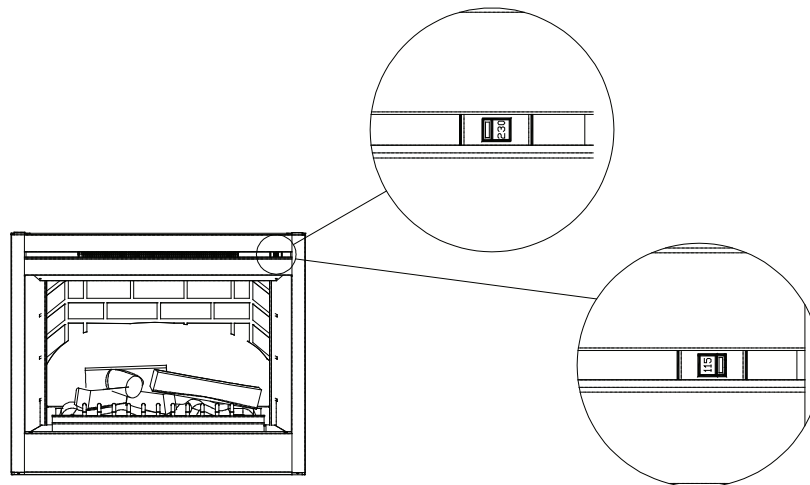
En las instalaciones de 120 voltios, utilice un cable con una funda no metálica, dos conductores y un cable de tierra (3 cables en total) para conectar el calentador de aire a la corriente. Utilice un cable adecuado, que cumpla con la normativa local y nacional para aquel consumo nominal.

En las instalaciones de 208/240 voltios, utilice un cable con una funda no metálica, tres conductores y un cable de tierra (4 cables en total) para conectar el calentador de aire a la corriente. Utilice un cable adecuado, que cumpla con la normativa local y nacional para aquel consumo nominal.

Se recomienda un cable con funda no metálica, dos conductores y un cable de tierra (3 cables en total) para instalar el termostato y/o el interruptor en la pared y conectarlos al calentador de aire. Utilice un cable adecuado, que cumpla con la normativa eléctrica local y nacional para aquel consumo nominal. El calibre de todos los cables debe coincidir con los tamaños recomendados y que se indican seguidamente.

Voltios	Calibre del Cable	Nominal del Fusible
120 voltios	calibre 14	15 Amp
208 voltios	calibre 14	15 Amp
240 voltios	calibre 14	15 Amp

UBICACIÓN DEL INTERRUPTOR DE SELECCIÓN DEL VOLTAJE



! IMPORTANTE: Compruebe que el voltaje de entrada concuerda con el seleccionado en el interruptor de selección.

! NOTA: El interruptor de selección de voltaje está situado dentro del panel de salida de aire de la esquina derecha de la parte superior.

⚠ PRECAUCIÓN: Cuando se cambie el interruptor de voltaje de 240 voltios a 120 voltios, compruebe que la corriente está desconectada.

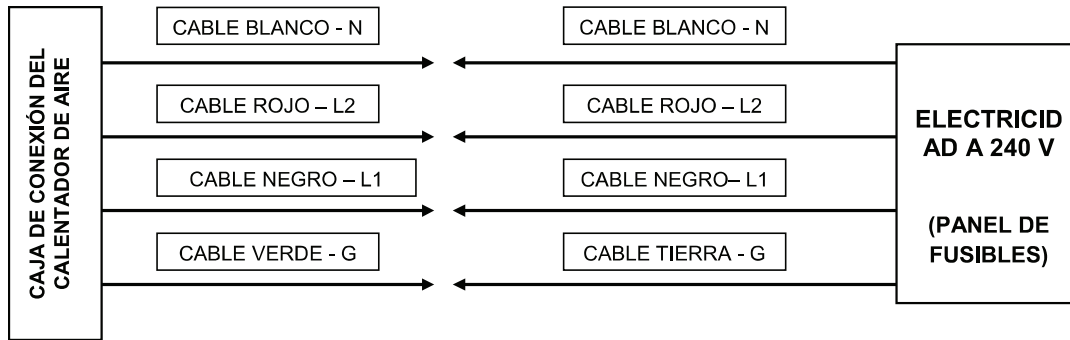
! NOTA: Con el debido cuidado, inserte un destornillador de cabeza plana dentro del panel de salida de aire para cambiar el interruptor a 240 voltios (posición 230) a 120 voltios (posición 115).

Cuando se conecta el aparato a 208/240 voltios el interruptor de voltaje debe estar en la posición de 230 voltios.

Cuando se conecta el aparato a 120 voltios el interruptor de voltaje debe estar en la posición de 115 voltios.

SECCIÓN C: CABLEADO DE ALIMENTACIÓN DIRECTA

INSTALACIÓN 240 VOLT



! **IMPORTANTE:** El aparato está configurado de fábrica para funcionar a 208/240 voltios.

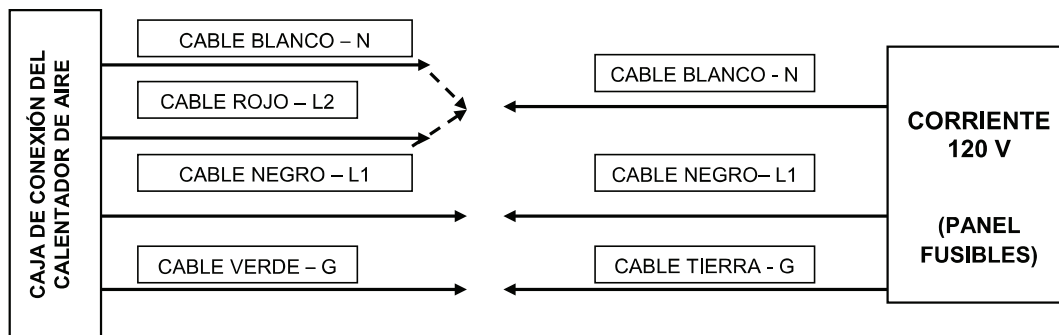
! **NOTA:** Utilice un cable con 3 conductores y 1 de tierra (4 cables en total) de conexión a la red (panel de disyuntores) a la caja de conexiones del aparato.

! **NOTA:** Todas las conexiones deben estar listas antes de instalar el aparato.

! **NOTA:** Compruebe que el interruptor de voltaje está en la posición correcta para dicho voltaje antes de conectar el aparato a la corriente.

1. Localice el interruptor de voltaje dentro del panel de salida de aire en la esquina superior derecha del aparato. **Compruebe que el interruptor está en la posición de 240 voltios. (en el interruptor está impreso 230).**
2. Afloje el tornillo que fija la tapa de la caja de conexiones y quite la tapa.
3. Quite los separadores, si fuera necesario, o utilice la mordaza del cable que se suministra.
4. Tire de los cuatro cables marcados L1, L2, N y G.
5. Conecte el cable L1 (negro) del aparato con el cable L1 (negro) de la toma de corriente.
6. Conecte el cable L2 (rojo) del aparato con el cable L2 (rojo) de la toma de corriente.
7. Conecte el cable N (blanco) del aparato al cable neutro (blanco) de la toma de corriente.
8. Conecte el cable de tierra (verde) del aparato al de tierra de la toma de corriente.
9. Compruebe que ninguna de las conexiones están sueltas.
10. Inserte todo el cableado otra vez dentro del aparato y fíjelo con la sujeción de los cables.

INSTALACIÓN 120 VOLT



! **IMPORTANTE:** El aparato está configurado de fábrica para funcionar a 208/240 voltios.

! **NOTA:** Utilice un cable con 2 conductores y 1 de tierra (3 cables en total) de conexión a la red (panel de disyuntores) a la caja de conexiones del aparato.

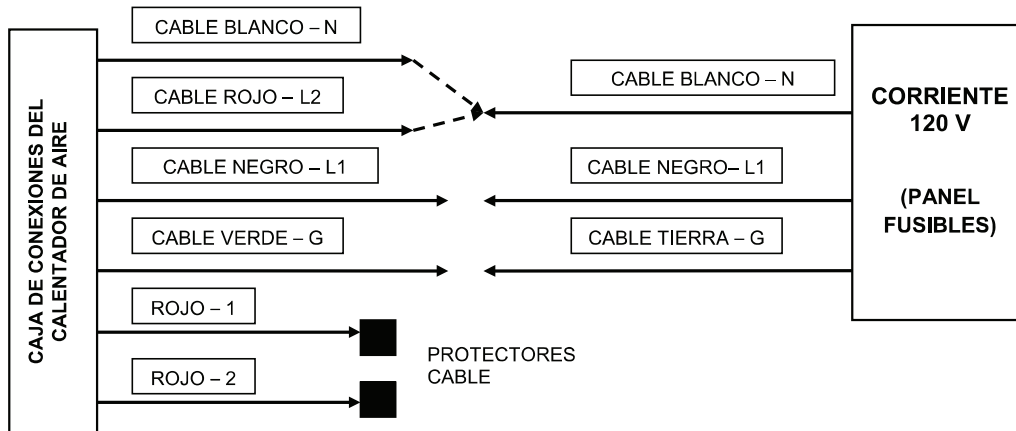
! **NOTA:** Todas las conexiones deben estar listas antes de instalar el aparato.

! **NOTA:** Compruebe que el interruptor de voltaje está en la posición correcta para dicho voltaje antes de conectar el aparato a la corriente.

1. Localice el interruptor de voltaje dentro del panel de salida de aire en la esquina superior derecha del aparato. **Cambie el interruptor de 240 voltios a 120 voltios (en el interruptor está impreso 230 y 115).**
2. Afloje el tornillo que fija la tapa de la caja de conexiones y quite la tapa.

3. Quite los separadores, si fuera necesario, o utilice la mordaza del cable que se suministra.
4. Tire de los cuatro cables marcados L1, L2, N y G.
5. Conecte el cable L1 (negro) del aparato con el cable L1 (negro) de la toma de corriente.
6. Conecte el cable L2 (rojo) y el N (blanco) desde el aparato al cable neutral (blanco) de la toma de corriente.
7. Conecte el cable de tierra (verde) del aparato al de tierra de la toma de corriente.
8. Cuando el aparato ha sido configurado para el voltaje de corriente adecuado, compruebe que ninguna de las conexiones esté suelta.
9. Inserte todo el cableado otra vez dentro del aparato y fíjelo con la sujeción de los cables.

INSTALACIÓN 120 VOLT - SIN INSTALACIÓN DE CALOR



! **IMPORTANTE:** El aparato está configurado de fábrica para funcionar a 208/240 voltios.

! **NOTA:** Utilice un cable con 2 conductores y 1 de tierra (3 cables en total) de conexión a la red (panel de disyuntores) a la caja de conexiones del aparato.

! **NOTA:** Todas las conexiones deben estar listas antes de instalar el aparato.

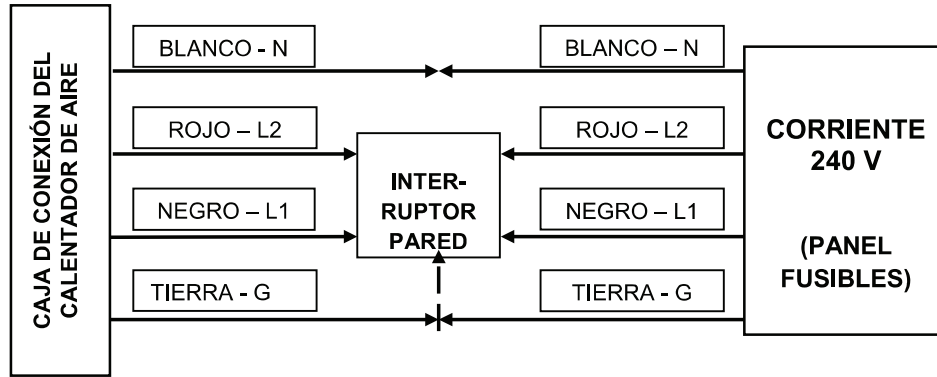
! **NOTA:** Compruebe que el interruptor de voltaje está en la posición correcta para dicho voltaje antes de conectar el aparato a la corriente.

! **NOTA:** En este aparato el ventilador funcionará sin calor.

1. Localice el interruptor de voltaje dentro del panel de salida de aire en la esquina superior derecha del aparato.
Cambie el interruptor de 240 voltios a 120 voltios (en el interruptor está impreso 230 y 115).
2. Afloje el tornillo que fija la tapa de la caja de conexiones y quite la tapa.
3. Quite los separadores, si fuera necesario, o utilice la mordaza del cable que se suministra.
4. Tire de los cuatro cables marcados L1, L2, N y G.
5. Conecte el cable L1 (negro) del aparato con el cable L1 (negro) de la toma de corriente.
6. Conecte el cable L2 (rojo) y el N (blanco) desde el aparato al cable blanco neutral de la toma de corriente.
7. Conecte el cable de tierra (verde) del aparato al de tierra de la toma de corriente.
8. Localice y separe con un protector el 1 (rojo) y el 2 (rojo).
9. Cuando el aparato ha sido configurado para el voltaje de corriente adecuado, compruebe que ninguna de las conexiones esté suelta.
10. Inserte todo el cableado otra vez dentro del aparato y fíjelo con la sujeción de los cables.

SECCIÓN D: OPCIONES ALTERNATIVAS DE CONTROL

INSTALACIÓN 240V DE ALIMENTACIÓN PRINCIPAL DE INTERRUPTOR DE PARED



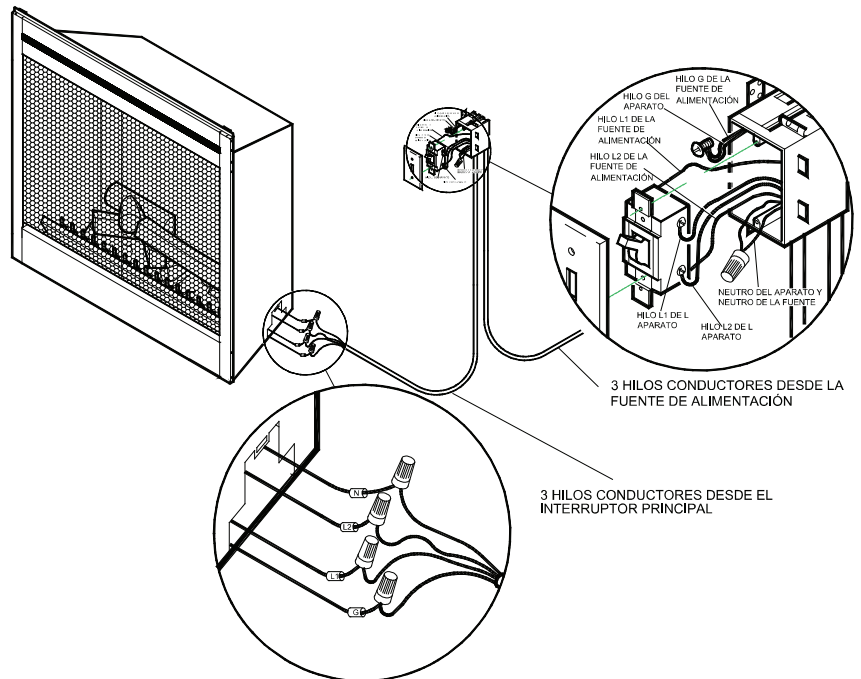
! **NOTA:** No debería utilizarse esta opción con el juego de control remoto.

! **NOTA:** Antes de instalar el aparato, deberá haber conectado los siguientes cables:

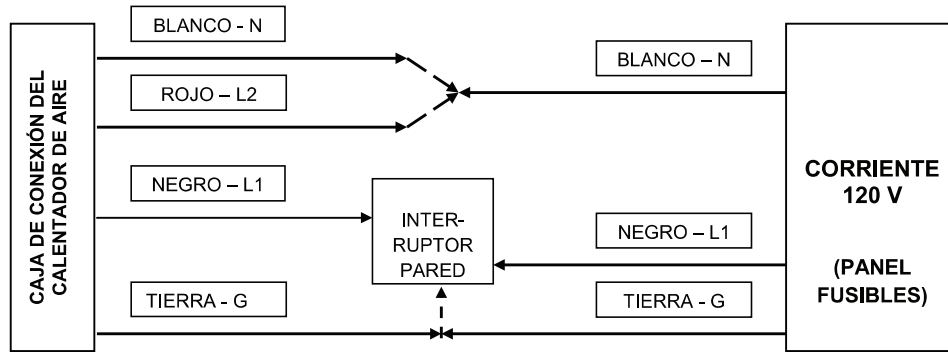
1. Un cable con 3 conductores y 1 de tierra (4 cables en total) desde la toma de corriente hasta la caja del interruptor de la pared.
2. Un cable con 3 conductores y 1 de tierra (4 cables en total) desde la caja del interruptor de la pared hasta la caja de conexiones del aparato.

! **NOTA:** Utilice un interruptor de pared de doble polaridad y una única pulsación (encendido/apagado) con un nominal mínimo de 15 amperios.

1. Localice el interruptor de voltaje dentro del panel de salida de aire en la esquina superior derecha del aparato **Compruebe que el interruptor está en la posición de 240 voltios (en el interruptor está impreso 230).**
2. Afloje el tornillo que fija la tapa de la caja de conexiones y quite la tapa.
3. Quite los separadores, si fuera necesario, o utilice la mordaza del cable que se suministra.
4. Saque los cuatro cables marcados como L1, L2, N y G (negro, rojo, blanco y verde).
5. Conecte el cable L1 (negro) del aparato al cable L1 (negro) del interruptor de la pared utilizando una regleta (no se suministra).
6. Conecte el otro extremo del cable L1 (negro) del interruptor de la pared al terminal L1 del interruptor de la pared.
7. Conecte el cable L2 (rojo) del aparato al cable L2 (rojo) del interruptor de la pared utilizando una regleta (no se suministra).
8. Conecte el otro extremo del cable L2 (rojo) del interruptor de la pared al terminal L2 del interruptor de la pared.
9. Conecte el cable N (blanco) del aparato al cable N (blanco) del interruptor de la pared utilizando una regleta (no se suministra).
10. Conecte el cable Tierra (verde) del aparato al cable Tierra (verde) del interruptor de la pared utilizando una regleta (no se suministra).
11. Conecte el cable L1 (rojo o negro) de la corriente al terminal L1 del interruptor de la pared.
12. Conecte el cable L2 (negro) de la corriente al terminal L2 del interruptor de la pared.
13. Conecte el cable N (blanco) desde la corriente al cable N (blanco) que queda desde el aparato utilizando una regleta.
14. Fije los 2 cables de Tierra (verdes) restantes con un tornillo de tierra en la caja del interruptor.
15. Compruebe que ninguna de las conexiones están sueltas.
16. Inserte todo el cableado del interruptor de la pared dentro de la caja del interruptor.
17. Inserte todo el cableado otra vez dentro del aparato y fíjelo con la sujeción de los cables.



INSTALACIÓN 120V DE ALIMENTACIÓN PRINCIPAL DE INTERRUPTOR DE PARED



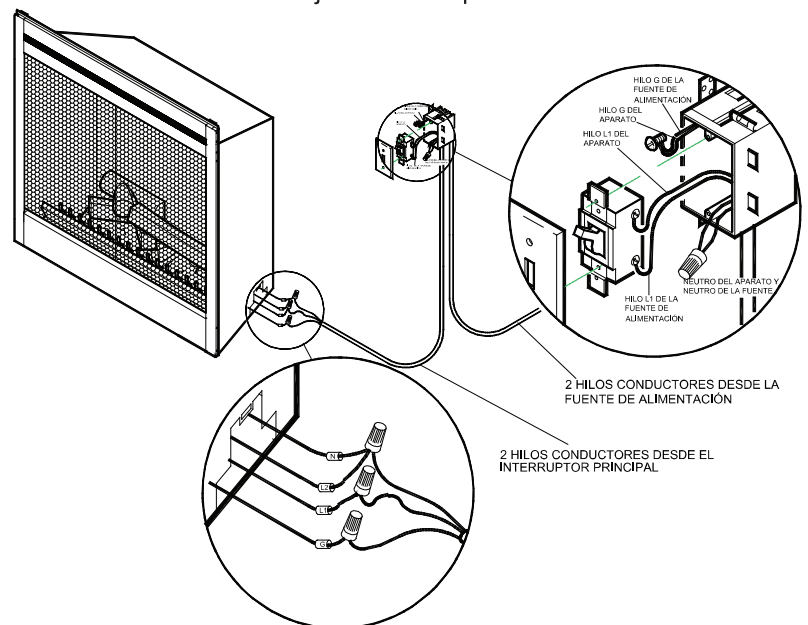
! **NOTA:** No debería utilizarse esta opción con el juego de control remoto.

! **NOTE:** Antes de instalar el aparato, deberá haber conectado los siguientes cables:

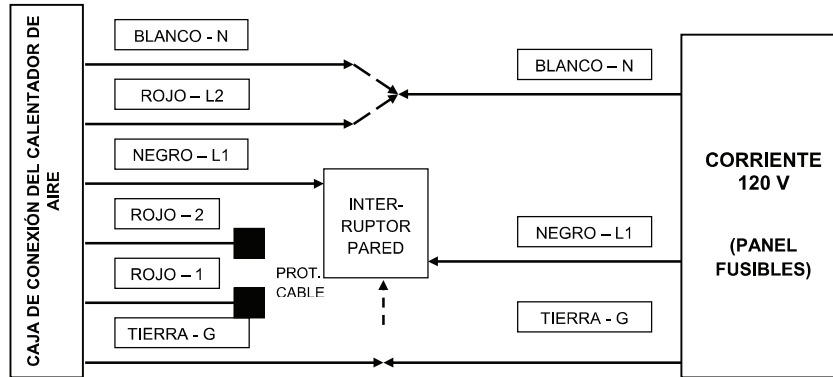
1. 1 cable con 3 conductores y 1 de tierra (3 cables en total) desde la toma de corriente hasta la caja del interruptor de la pared.
2. Un cable con 2 conductores y 1 de tierra (3 cables en total) desde la caja del interruptor de la pared hasta la caja de conexiones del aparato.

! **NOTA:** Utilice un interruptor de pared de una sola polaridad y una única pulsación (encendido/apagado), con un nominal mínimo de 15 amperios.

1. Localice el interruptor de voltaje dentro del panel de salida de aire en la esquina superior derecha del aparato.
Compruebe que el interruptor está en la posición de 120 voltios (en el interruptor está impreso 115).
2. Afloje el tornillo que fija la tapa de la caja de conexiones y quite la tapa.
3. Quite los separadores, si fuera necesario, o utilice la mordaza del cable que se suministra.
4. Saque los cuatro cables marcados como L1, L2, N y G (negro, rojo, blanco y verde).
5. Conecte el cable L1 (negro) del aparato al cable L1 (negro) del interruptor de la pared utilizando una regleta (no se suministra).
6. Conectar el otro extremo del cable L1 (negro) al terminal L1 del interruptor de la pared.
7. Conecte el cable L2 (rojo) del aparato al cable N (blanco) del aparato al cable N (blanco) del interruptor de la pared utilizando una regleta (no se suministra).
8. Conecte el otro extremo del cable N (blanco) al cable N (blanco) del panel de la corriente utilizando una regleta (no se suministra).
9. Conecte el cable Tierra (verde) del aparato al cable Tierra (verde) del interruptor de la pared utilizando una regleta (no se suministra).
10. Conecte el cable L1 (negro) de la corriente al terminal L1 del interruptor de la pared.
11. Fije los 2 cables de Tierra (verdes) restantes con un tornillo de tierra en la caja del interruptor.
12. Compruebe que ninguna de las conexiones están sueltas.
13. Inserte todo el cableado del interruptor de la pared dentro de la caja del interruptor.
14. Inserte todo el cableado otra vez dentro del aparato y fíjelo con la sujeción de los cables.



INSTALACIÓN 120V DE ALIMENTACIÓN PRINCIPAL DE INTERRUPTOR DE PARED - SIN INSTALACIÓN DE CALOR



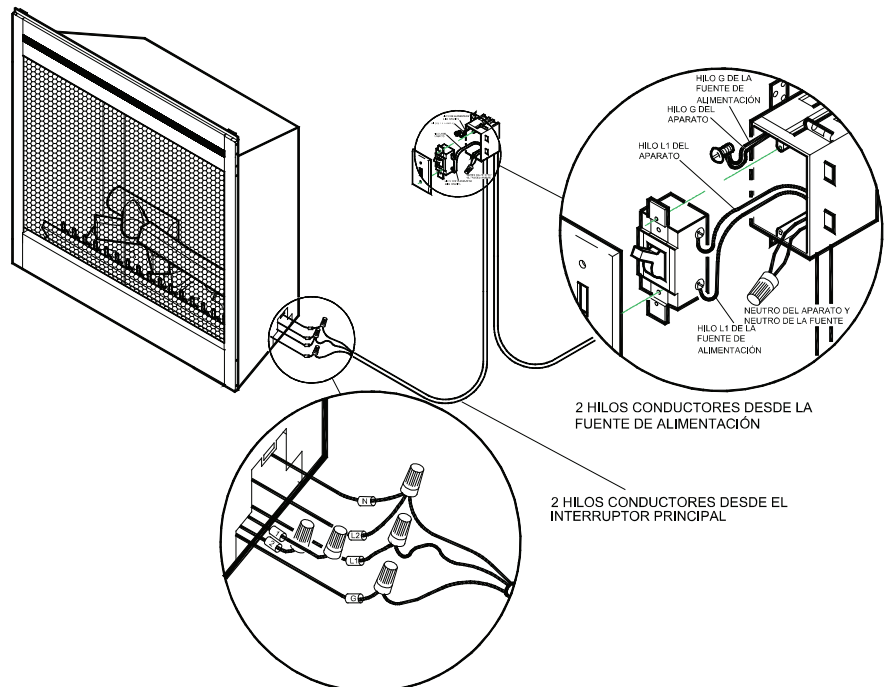
! **NOTA:** No debería utilizarse esta opción con el juego de control remoto.

! **NOTE:** Antes de instalar el aparato, deberá haber conectado los siguientes cables:

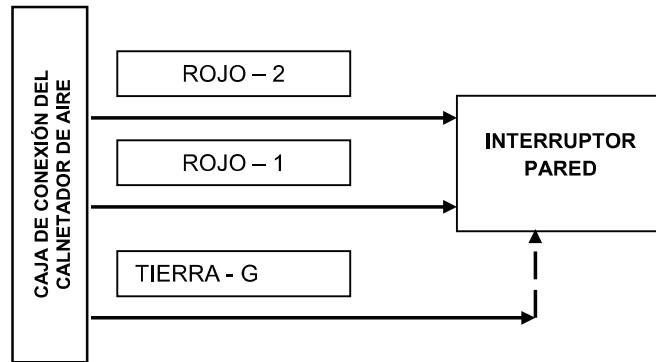
1. 1 cable con 3 conductores y 1 de tierra (3 cables en total) desde la toma de corriente hasta la caja del interruptor de la pared.
2. Un cable con 2 conductores y 1 de tierra (3 cables en total) desde la caja del interruptor de la pared hasta la caja de conexiones del aparato.

! **NOTA:** Utilice un interruptor de pared de una sola polaridad y una única pulsación (encendido/apagado), con un nominal mínimo de 15 amperios.

1. Localice el interruptor de voltaje dentro del panel de salida de aire en la esquina superior derecha del aparato.
Compruebe que el interruptor está en la posición de 120 voltios. (En el interruptor está impreso 115.)
2. Afloje el tornillo que fija la tapa de la caja de conexiones y quite la tapa.
3. Quite los separadores, si fuera necesario, o utilice la mordaza del cable que se suministra.
4. Saque los cuatro cables marcados como L1, L2, N y G (negro, rojo, blanco y verde).
5. Conecte el cable L1 (negro) del aparato al cable L1 (negro) del interruptor de la pared utilizando una regleta (no se suministra).
6. Conectar el otro extremo del cable negro L1 al terminal L1 del interruptor de la pared.
7. Conecte el cable L2 (rojo) del aparato al cable N (blanco) del aparato al cable N (blanco) del interruptor de la pared utilizando una regleta (no se suministra).
8. Conecte el otro extremo del cable N (blanco) al cable N (blanco) del panel de la corriente utilizando una regleta (no se suministra).
9. Conecte el cable Tierra (verde) del aparato al cable Tierra (verde) del interruptor de la pared utilizando una regleta (no se suministra).
10. Conecte el cable L1 (negro) de la corriente al terminal L1 del interruptor de la pared.
11. Localice y separe con un protector el 1 (rojo) y el 2 (rojo).
12. Fije los 2 cables de Tierra (verdes) restantes con un tornillo de tierra en la caja del interruptor.
13. Compruebe que ninguna de las conexiones están sueltas.
14. Inserte todo el cableado del interruptor de la pared dentro de la caja del interruptor.
15. Inserte todo el cableado otra vez dentro del aparato y fijelo con la sujeción de los cables.



CALENTADOR DE PARED INTERRUPTOR DE CONTROL PARA LAS INSTALACIONES DE 120/240 VOLTIOS

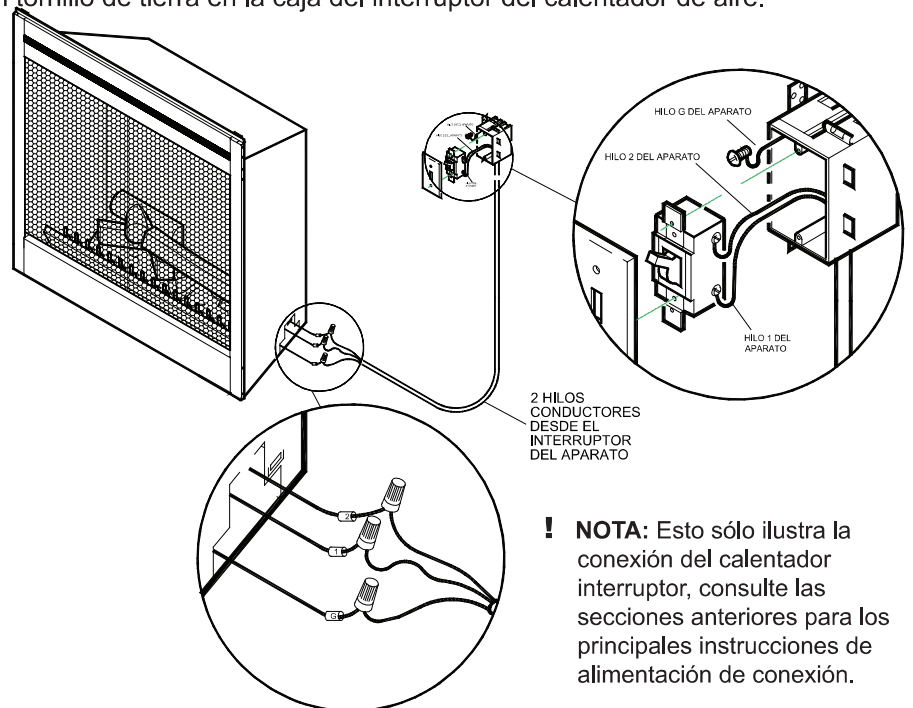


! NOTA: Antes de instalar el aparato, complete lo siguiente:

1. Instale la conexión de alimentación principal con el cableado apropiado - directamente a la red eléctrica o por medio de un interruptor de pared.
2. Instale un cable con 2 conductores y 1 de tierra (3 cables en total) desde la caja del interruptor del calentador de aire hasta la caja de conexiones del aparato.

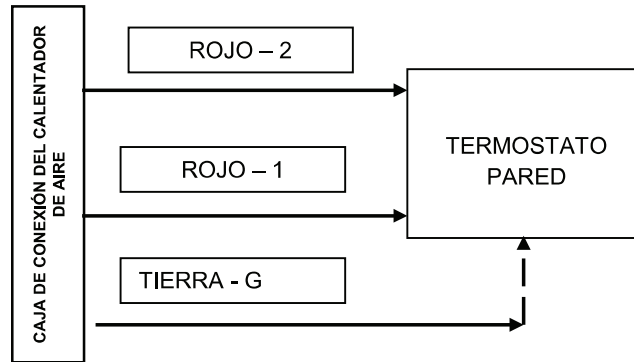
! NOTA: Utilice un interruptor de pared (encendido/apagado) con un nominal mínimo de 15 amperios.

1. Afloje el tornillo que fija la tapa de la caja de conexiones y quite la tapa.
2. Quite los separadores, si fuera necesario, o utilice la mordaza del cable que se suministra.
3. Saque los tres cables marcados como 1, 2 y G (rojo, rojo y verde).
4. Quite la regleta del cable y separe los cables marcados como 1 y 2.
5. Conecte el cable L1 (rojo) del aparato al cable L1 (negro) del interruptor de la pared del calentador de aire utilizando una regleta (no se suministra).
6. Conecte el otro extremo del cable L1 (negro) del interruptor de la pared del calentador de aire al terminal L1 del interruptor de la pared del calentador de aire.
7. Conecte el cable 2 (rojo) del aparato al cable N (blanco) del interruptor de la pared del calentador de aire utilizando una regleta (no se suministra).
8. Conecte el otro extremo del cable N (blanco) del interruptor de la pared del calentador de aire al terminal L2 del interruptor de la pared del calentador de aire.
9. Conecte el cable Tierra (verde) del aparato al cable Tierra (verde) del interruptor de la pared del calentador de aire utilizando una regleta (no se suministra).
10. Fije el cable de Tierra (verde) restante con un tornillo de tierra en la caja del interruptor del calentador de aire.
11. Compruebe que ninguna de las conexiones están sueltas.
12. Inserte todo el cableado del interruptor de la pared del calentador de aire dentro de la caja del interruptor.
13. Inserte todo el cableado otra vez dentro del aparato y fíjelo con la sujeción de los cables.



! NOTA: Esto sólo ilustra la conexión del calentador interruptor, consulte las secciones anteriores para los principales instrucciones de alimentación de conexión.

CONEXIÓN DEL TERMOSTATO DE PARED PARA LAS INSTALACIONES DE 120/240 VOLTIOS



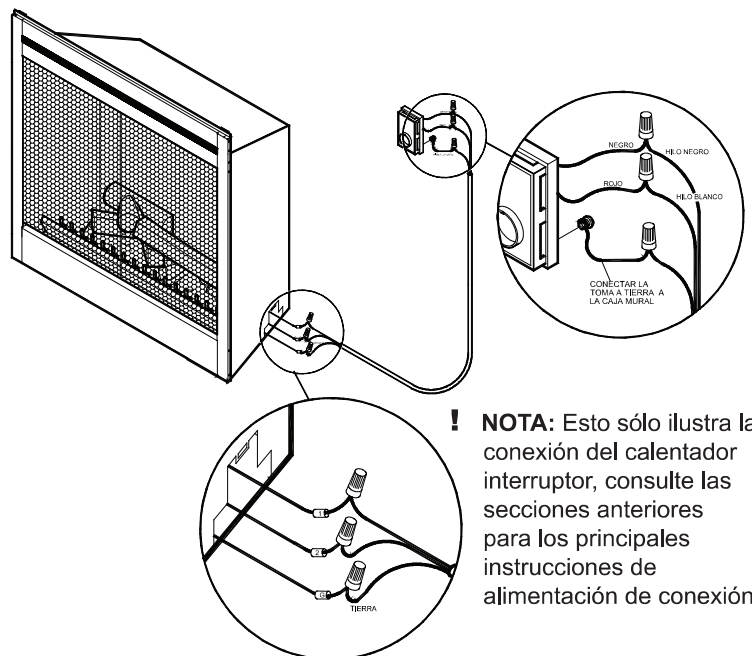
! NOTA: Antes de instalar el aparato, complete lo siguiente:

1. Instale la conexión de alimentación principal con el cableado apropiado - directamente a la red eléctrica o por medio de un interruptor de pared.
2. Instale un cable con 2 conductores y 1 de tierra (3 cables en total) desde la caja del interruptor del calentador de aire hasta la caja de conexiones del aparato.

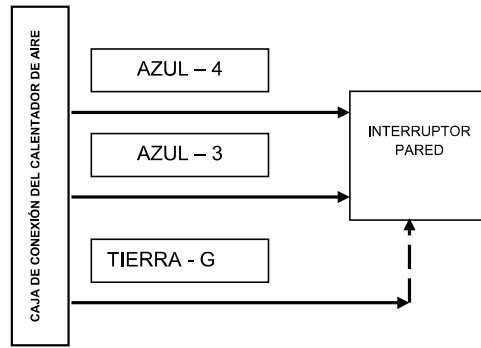
! NOTA: Debe haberse realizado la conexión del termostato antes de instalar el aparato.

! NOTA: Las siguientes instrucciones de instalación son para un termostato de una única polaridad.

1. Afloje el tornillo que fija la tapa de la caja de conexiones y quite la tapa.
2. Quite los separadores, si fuera necesario, o utilice la mordaza del cable que se suministra.
3. Saque los tres cables marcados como 1, 2 y G (rojo, rojo y verde).
4. Quite la regleta del cable y separe los cables marcados como 1 y 2.
5. Conecte el cable 1 (rojo) desde el aparato al cable N (blanco) desde la caja del termostato en la pared utilizando una regleta (no se suministra).
6. Conecte el otro extremo del cable N (blanco) desde la caja del termostato en la pared al cable rojo del termostato en la pared.
7. Conecte el cable 2 (rojo) desde el aparato al cable negro desde la caja del termostato en la pared utilizando una regleta (no se suministra).
8. Conecte el otro extremo del cable negro desde la caja del termostato en la pared al cable negro del termostato en la pared.
9. Conecte el cable Tierra (verde) desde el aparato al cable Tierra (verde) desde la caja del termostato en la pared utilizando una regleta (no se suministra).
10. Conecte el otro extremo del cable Tierra (verde) al tornillo de tierra de la caja del termostato de la pared.
11. Compruebe que ninguna de las conexiones están sueltas.
12. Inserte todo el cableado del termostato de la pared dentro de la caja en la pared.
13. Inserte todo el cableado otra vez dentro del aparato y fíjelo con la sujeción de los cables.



! NOTA: Esto sólo ilustra la conexión del calentador interruptor, consulte las secciones anteriores para los principales instrucciones de alimentación de conexión.



NO DISPONIBLE EN UNA INSTALACIÓN SIN CALOR

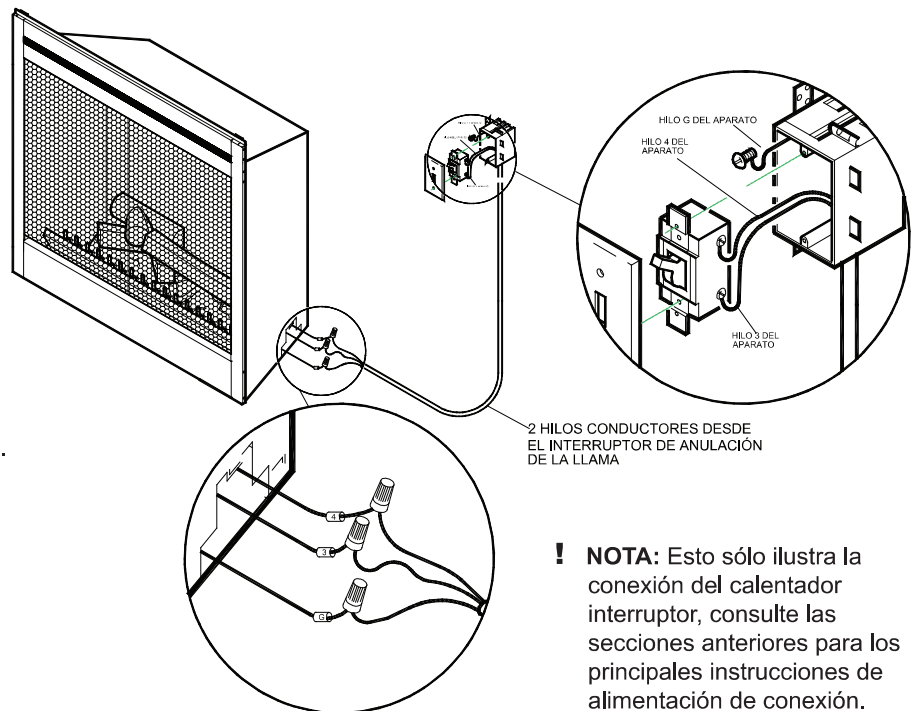
! NOTA: El calentador de aire se puede conectar para que un interruptor haga funcionar el calentador independientemente de las llamas.

! NOTA: Antes de instalar el aparato, complete lo siguiente:

1. Instale la conexión de alimentación principal con el cableado apropiado - directamente a la red eléctrica o por medio de un interruptor de pared.
2. Instale un cable con 2 conductores y 1 de tierra (3 cables en total) desde la caja del interruptor del calentador de aire hasta la caja de conexiones del aparato.

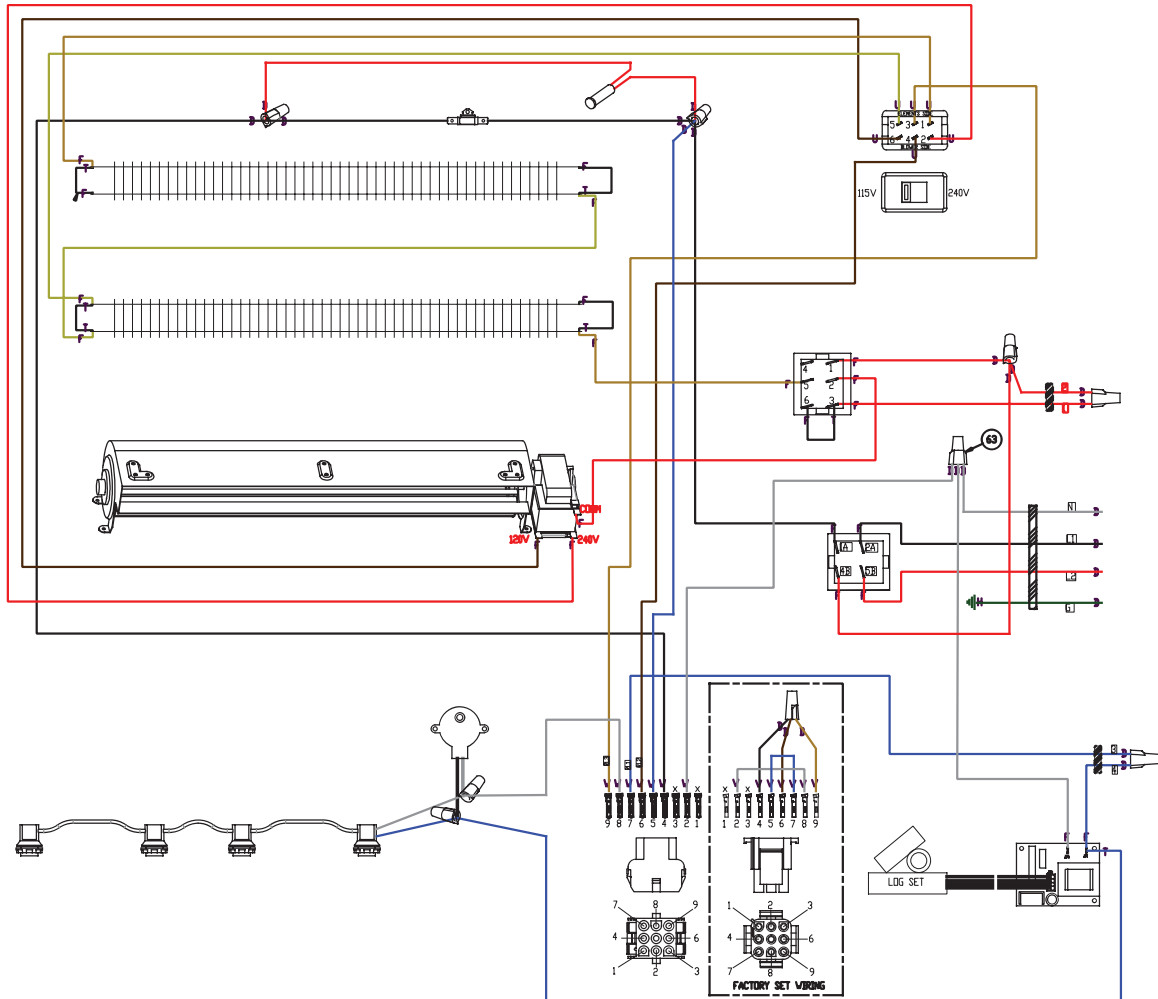
! NOTA: Utilice un interruptor de pared (encendido/apagado) con un nominal mínimo de 15 amperios.

1. Afloje el tornillo que fija la tapa de la caja de conexiones y quite la tapa.
2. Quite los separadores, si fuera necesario, o utilice la mordaza del cable que se suministra.
3. Saque los tres cables marcados como 3, 4 y G (rojo, azul y verde).
4. Quite la regleta del cable y separe los cables marcados como 3 y 4.
5. Conecte el cable 3 (azul) del aparato al cable L1 (negro) del interruptor de la pared de la llama utilizando una regleta (no se suministra).
6. Conecte el otro extremo del cable L1 (negro) del interruptor de la pared de la llama al terminal L1 del interruptor de la pared de la llama.
7. Conecte el cable 4 (azul) del aparato al cable N (blanco) del interruptor de la pared de la llama utilizando una regleta (no se suministra).
8. Conecte el otro extremo del cable N (blanco) del interruptor de la pared de la llama al terminal L2 del interruptor de la pared de la llama.
9. Conecte el cable Tierra (verde) del aparato al cable Tierra (verde) del interruptor de la pared de la llama utilizando una regleta (no se suministra).
10. Fije el cable de Tierra (verde) restante con un tornillo de tierra en la caja del interruptor de la llama.
11. Compruebe que ninguna de las conexiones están sueltas.
12. Inserte todo el cableado del interruptor de la pared del calentador de aire dentro de la caja del interruptor.
13. Inserte todo el cableado otra vez dentro del aparato y fíjelo con la sujeción de los cables.



! NOTA: Esto sólo ilustra la conexión del calentador interruptor, consulte las secciones anteriores para los principales instrucciones de alimentación de conexión.

DIAGRAMA DE CONEXIÓN ELÉCTRICA



Empire Comfort Systems Inc.
Belleville, IL

Si tiene preguntas generales sobre nuestros productos, envíenos un correo electrónico a info@empirecomfort.com.

Si tiene alguna pregunta sobre servicio o reparación, comuníquese con su distribuidor.

