

## FOR USE ON: DECORATIVE FRONT KITS

INSTRUCTIONS MUST BE LEFT WITH THE OWNER FOR FUTURE REFERENCE AFTER INSTALLATION.

DECORATIVE FRONT KITS			
VFLB36FP(30,90)(N,P)-1	VFLB48(FP,SP)90(N,P)-1	VFLB60(FP,SP)90(N,P)-1	VFLB72FP90(N,P)-1
DF361VBL-1	DF481VBL-1	DF601VBL-1	DF721VBL-1
DF362VBL-1	DF482VBL-1	DF602VBL-1	DF722VBL-1

- For installation of decorative front kits, 1/16-inch unfinished space is required to either side of the fireplace opening, and 7/16-inch unfinished space is required on top and bottom of the fireplace opening. **See Figure 1.**

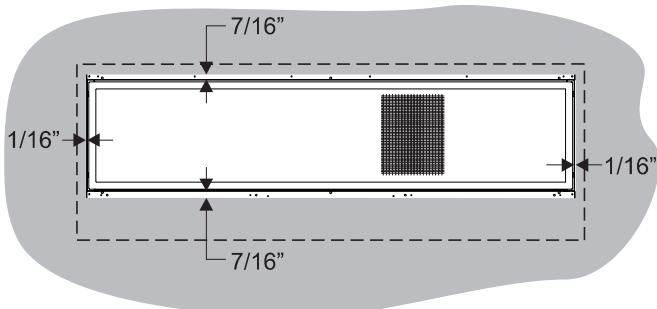


Figure 1

- Remove barrier screen assembly from fireplace by lifting up slightly and pulling out. **See Figure 2.**

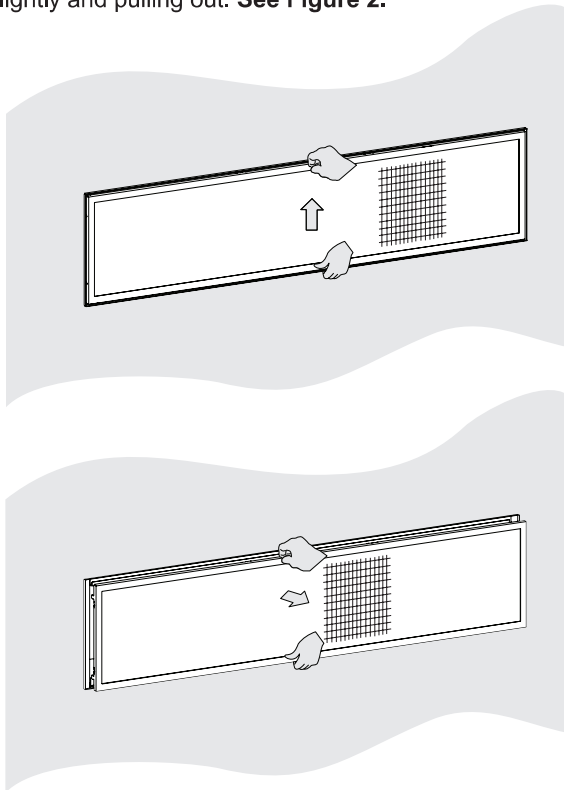


Figure 2

- Remove glass panels around burner. **See Figure 3.**

**NOTE:** VFLB48SP and VFLB60SP models will have four glass panels.

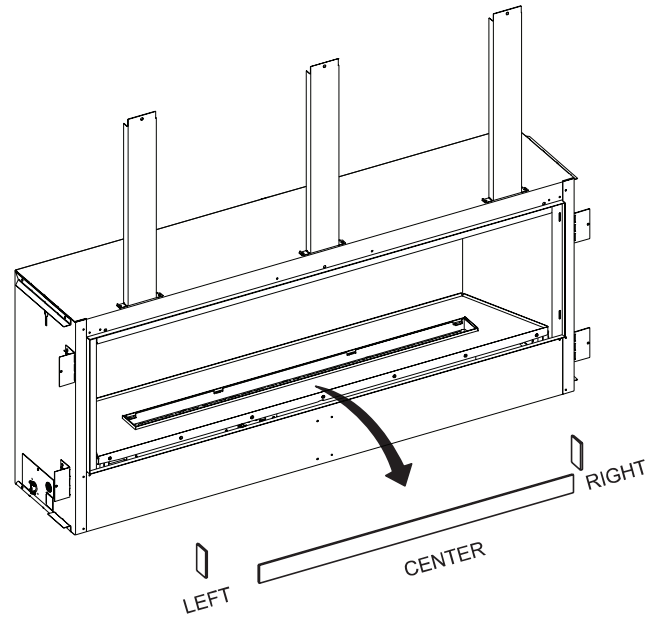


Figure 3

4. For VFLB(36,48) Models: Remove the burner cover by lifting it up and out. Set aside. See Figure 4.

For VFLB(60,72) Models: Remove the glass support screens and set aside. See Figure 5. Remove the reflective burner cover assembly by lifting it up and out. Set aside. See Figure 6.

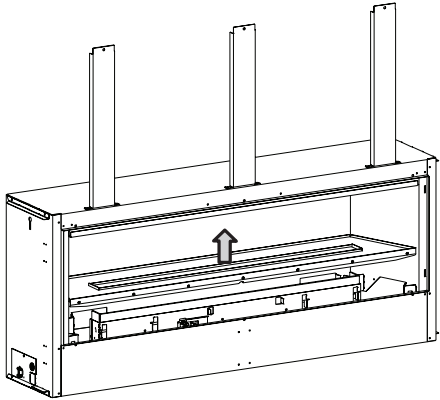


Figure 4

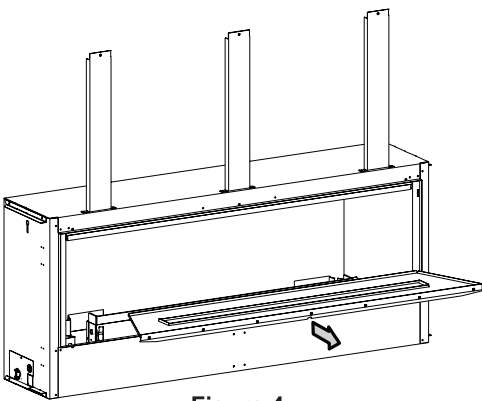


Figure 5

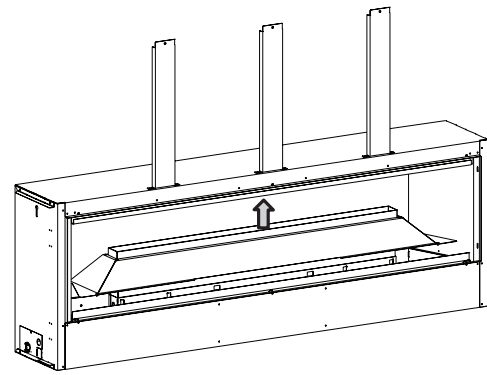
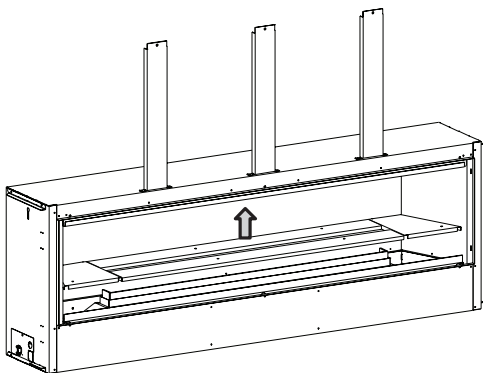
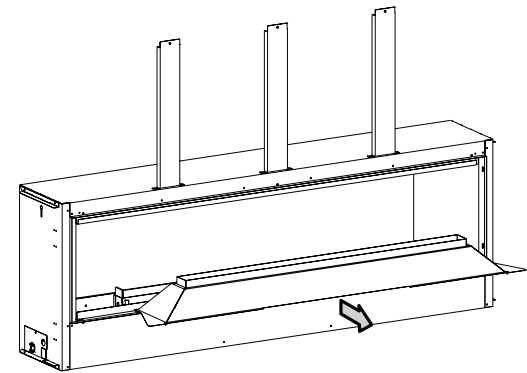


Figure 6



5. Remove the inner firebox top by removing five Phillips Truss Head Screws. See Figure 7.

**NOTE:** If a Light Kit is installed: Unhook the wire harness from the light before removing the inner firebox top. See Figure 8.

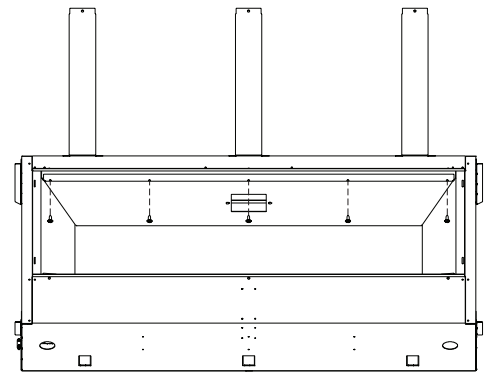
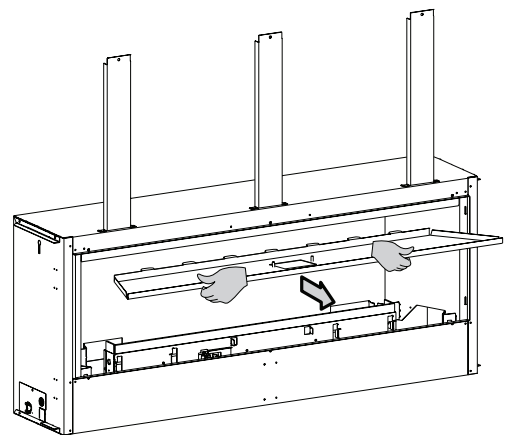


Figure 7



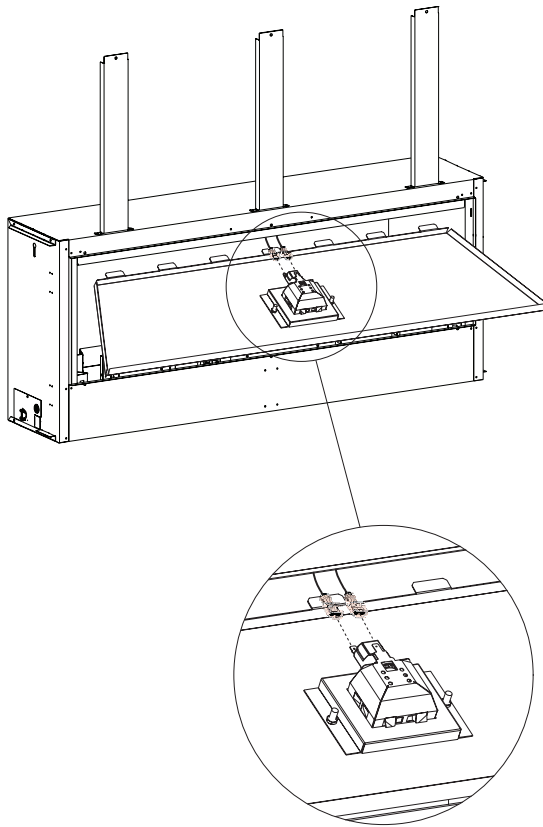


Figure 8

6. Install (6) threaded rods into (6) threaded inserts on the back of the trim kit. See Figure 9.

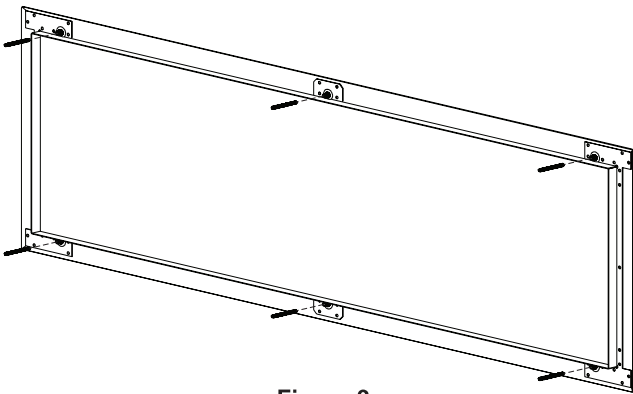


Figure 9

7. Insert threaded rods into the holes on top and bottom of the fireplace opening. Position until the trim touches the finishing material around the fireplace opening. See Figure 10.

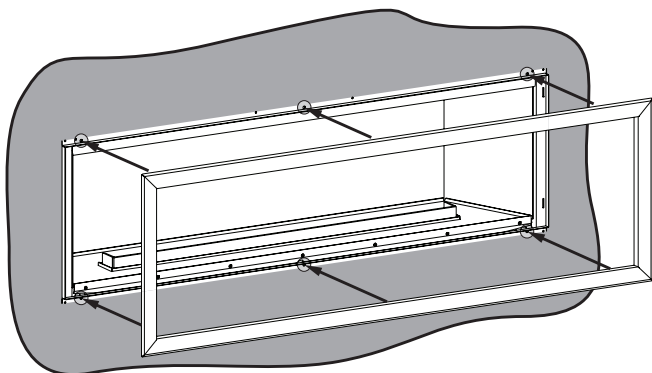


Figure 10

8. For VFLB(60,72) Models: Secure trim to fireplace by installing one nut on each threaded rod from inside the fireplace. See Figures 11 and 12.

For VFLB(36,48) Models: Install (3) nuts onto (3) threaded rods on bottom of trim while sliding trim onto fireplace. See Figure 13. Once bottom nuts are tightened, install (3) top nuts onto (3) top threaded rods to secure trim to fireplace. See Figure 11.

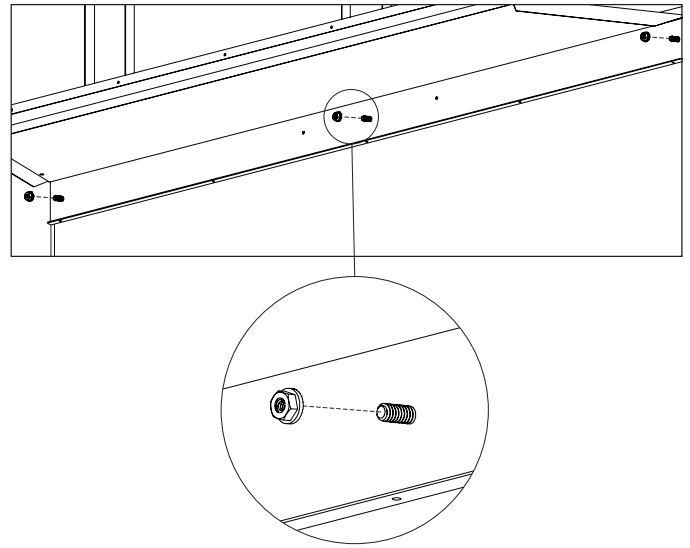


Figure 11 - Top of Fireplace

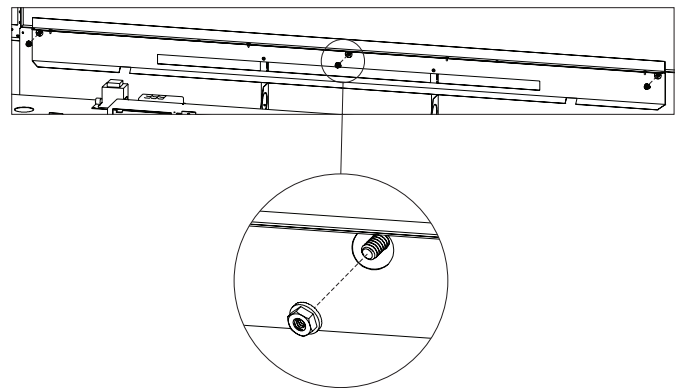


Figure 12 - Bottom of Fireplace VFLB(60,72)

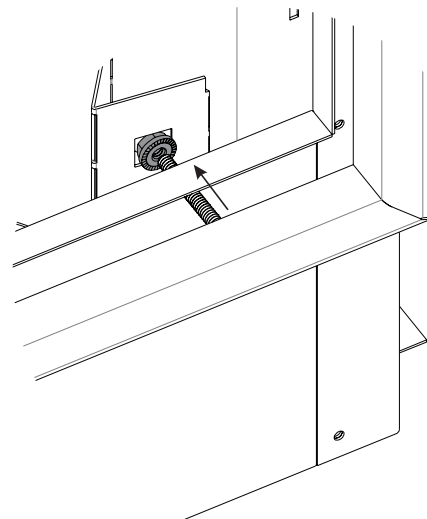
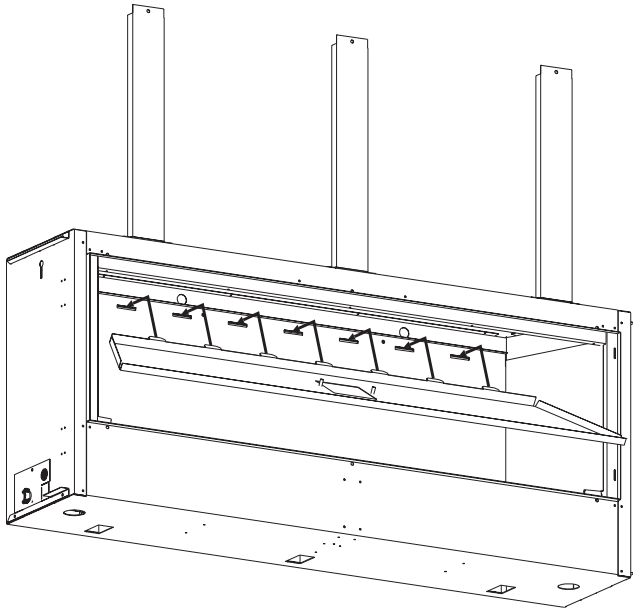


Figure 13 - Bottom of Fireplace VFLB(36,48)

- Reinstall the inner firebox top. Secure in place with the five Phillips Truss Head Screws removed in Step 5. **See Figures 7 and 14.**

**NOTE: If a Light Kit is installed:** Reconnect the wire harness from the light before reinstalling the inner firebox top. **See Figure 8.**



**Figure 14**

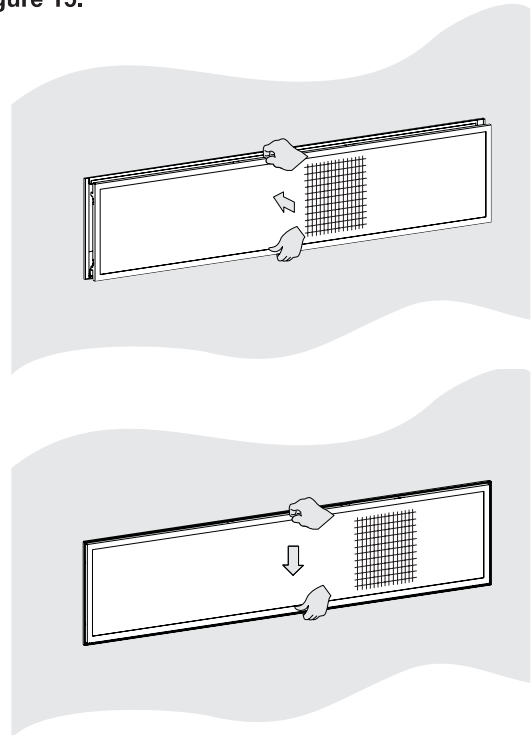
- For VFLB(36,48) Models:** Reinstall the burner cover removed in Step 4. **See Figure 4.**

**For VFLB(60,72) Models:** Reinstall the reflective burner cover assembly removed in Step 4. **See Figure 6.** Reinstall the glass support screens removed in Step 4. **See Figure 5.**

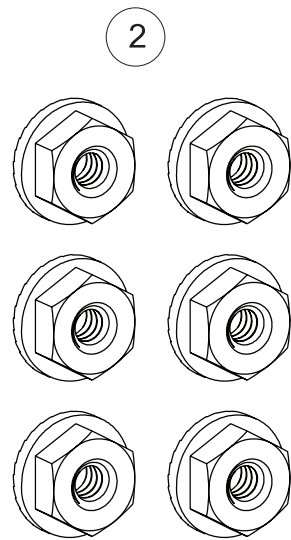
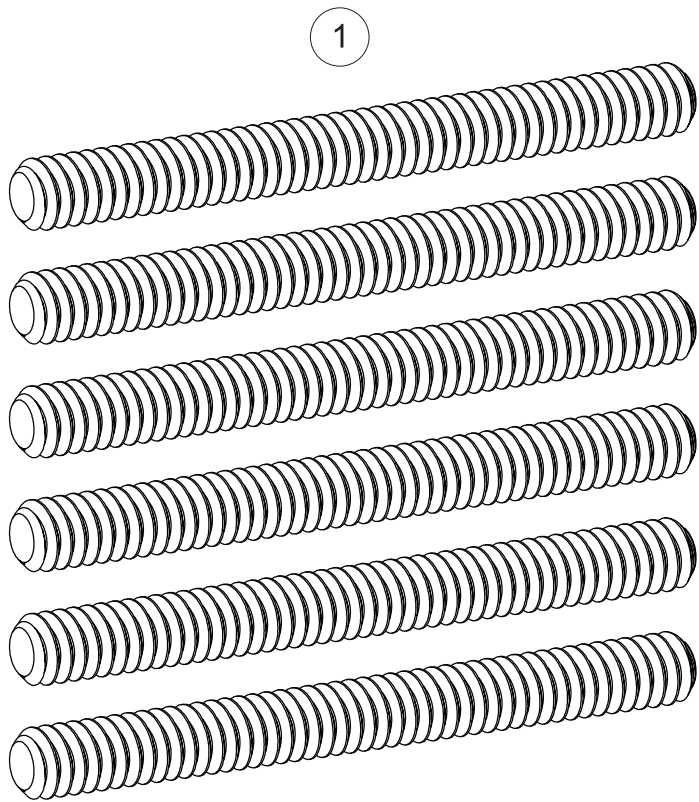
- Reinstall glass panels removed in Step 3. **See Figure 3.**

**NOTE:** Verify glass panels are level.

- Reinstall the Barrier Screen onto the fireplace by lining up the tabs with the slots in the firebox. Push the barrier screen toward the unit and lower it slightly to lock in place. **See Figure 15.**



**Figure 15**



INDEX NO.	PART NUMBER		DESCRIPTION
		DF(36,48,60,72)(1,2)VBL	
1	R12694	R12694	10-24 x 2" Threaded Rod, Zinc (6 Required)
2	R3156	R3156	10-24 Serrated Flange Nut, Zinc (6 Required)

This page intentionally left blank.

This page intentionally left blank.

*Boulevard*  
VENT-FREE LINEAR FIREPLACES

**Empire Comfort Systems Inc.  
Belleville, IL**

If you have a general question  
about our products, please e-mail  
us at [info@empirecomfort.com](mailto:info@empirecomfort.com).

If you have a service or repair  
question, please contact your dealer.

**[www.empirecomfort.com](http://www.empirecomfort.com)**