

Blue Ridge Bent Back Rocker






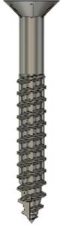


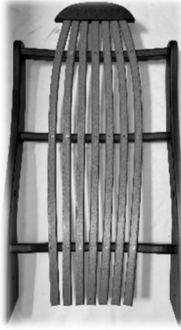



Instruction Manual

P/N: FF-BRRO







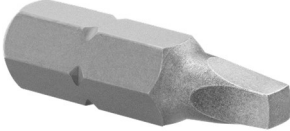

Buck Stove, New Buck Corp | 200 Ethan Allen Dr, Spruce Pine, North Carolina
28777, United States | (828) 765-6144 | www.buckstove.com

Included Parts

<p>A</p>  <p>2.5in Bolt 4PCS</p>	<p>B</p>  <p>3in Bolt 2PCS</p>	<p>C</p>  <p>3.5in Bolt 4PCS</p>	<p>D</p>  <p>Washer 18PCS</p>	<p>E</p>  <p>Nut 10PCS</p>	<p>F</p>  <p>1.25in Screw</p>
<p>G</p>  <p>1.625in Screw 8PCS</p>	<p>H</p>  <p>Left/Right Leg/Arm Assembly 2PCS</p>	<p>I</p>  <p>Back Assembly 1PCS</p>	<p>J</p>  <p>Seat Assembly 1PCS</p>	<p>K</p>  <p>Rear Cover Strip</p>	<p>L</p>  <p>Front/Rear Brace 2PCS</p>

***Hardware without piece count comes preinstalled (F, G[1], K)**

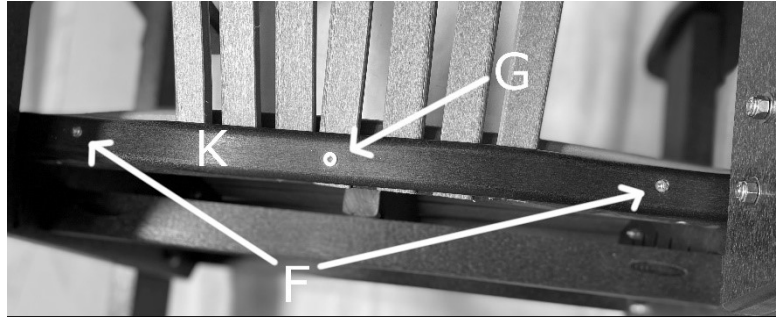
Required Tools

		7/16 Socket Wrench
		7/16 Wrench
		#2 Square Bit

Assembly Instructions

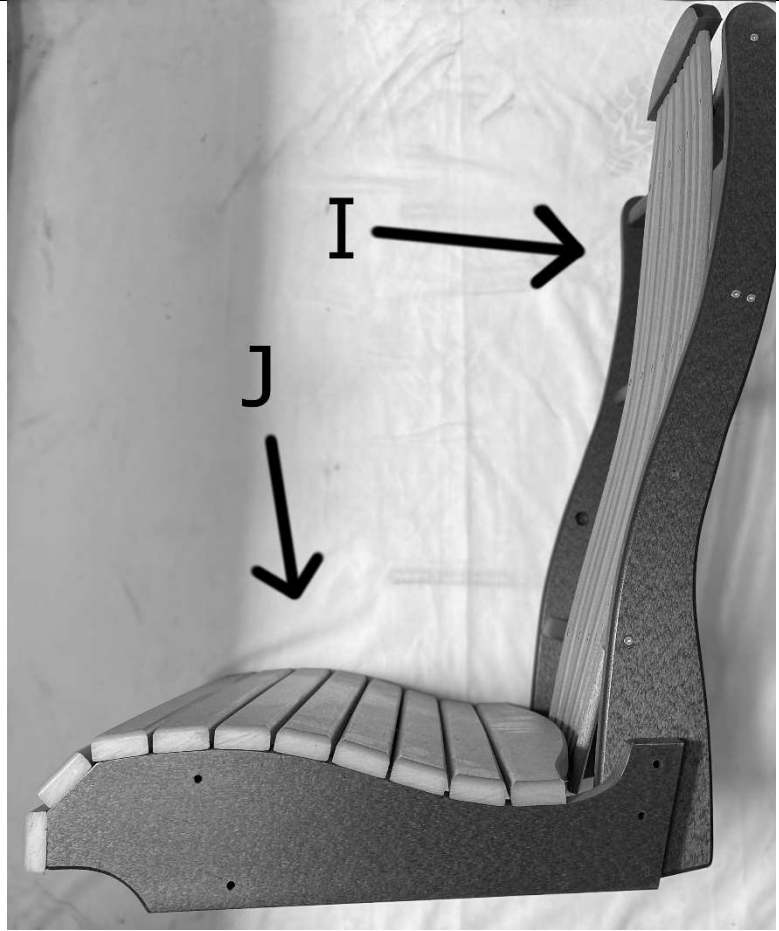
Step 1

Unscrew the loosely attached 1.25 in(F) & 1.625 in(G) screws, and remove the rear cover strip (K) and place aside for final assembly.



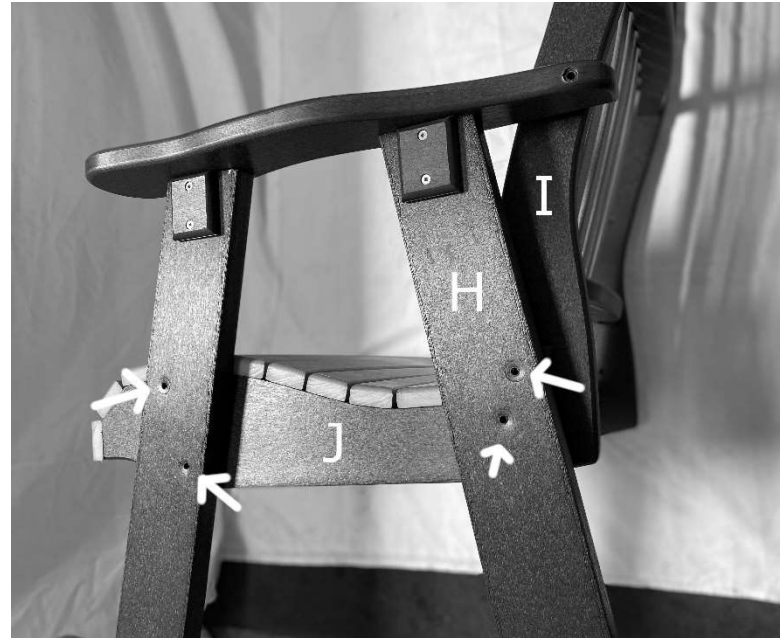
Step 2

Begin the assembly process by placing the chair in the orientation shown to the right, with the back (I) and seat assembly (J) on their side.



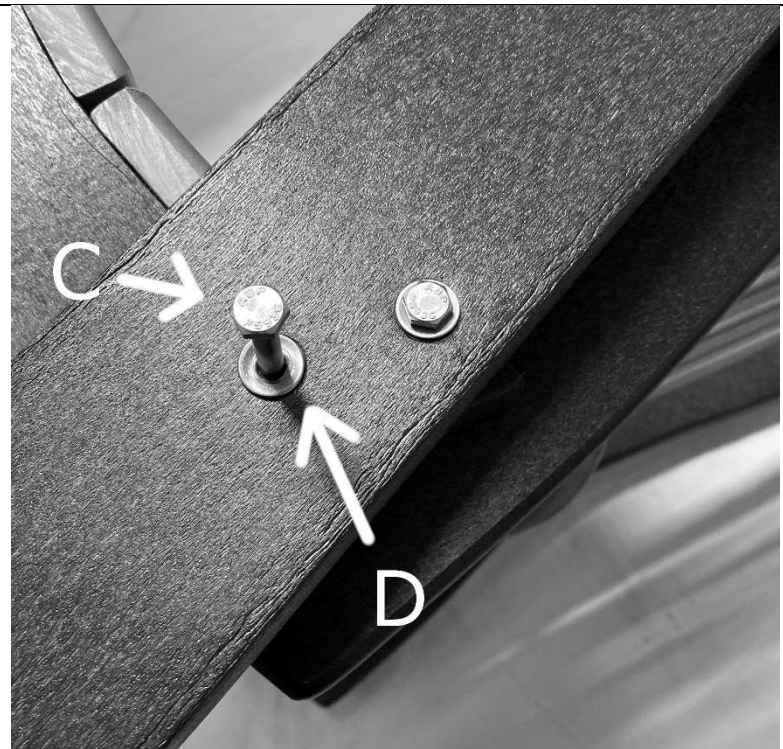
Step 3

Align the holes on the arm assembly (H) with the holes going through the back (I) and seat assemblies(J).



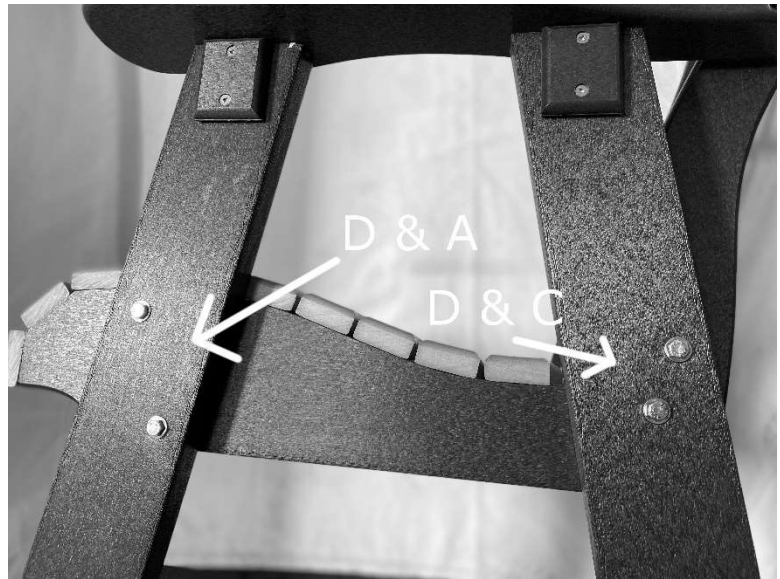
Step 4

Insert the 3.5 inch bolt (C) through a washer (D) and into the leg/arm (H), back (I) and seat (J) assemblies.



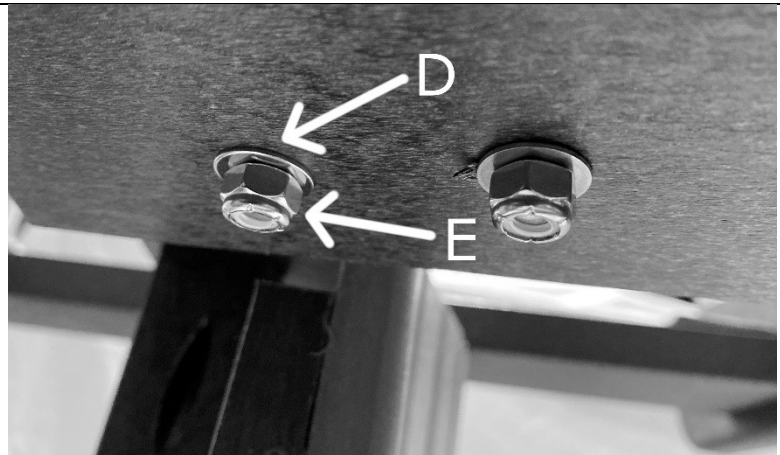
Step 5

Insert the 2.5 inch bolt (A) through a washer (D) and into the leg/arm (H) and seat (J) assemblies.



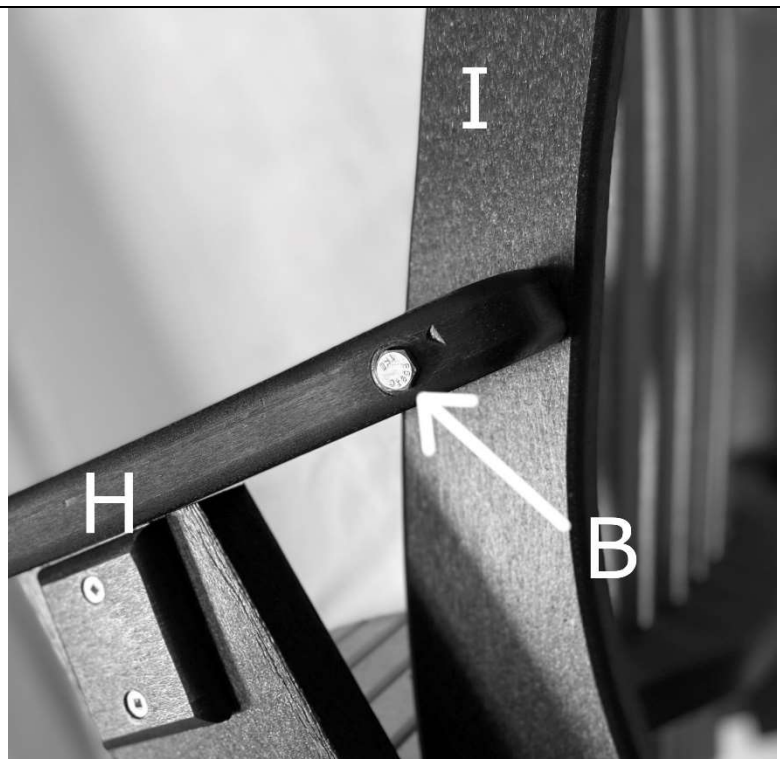
Step 6

On the back side of the bolts (A & C) that were inserted through the seat (J), place a washer and then thread a nut onto all of the bolts placed in steps 3-4. Tighten with 7/16 socket and wrench.



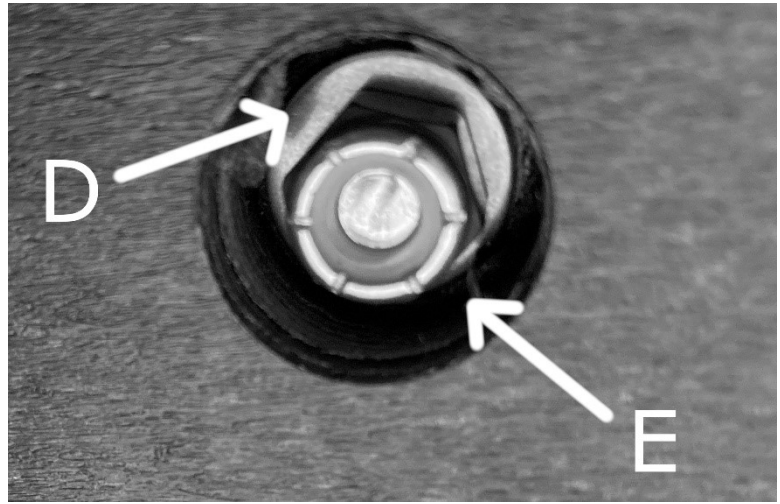
Step 7

Place the 3 inch bolt (B) through the leg/arm assembly (H) and the back assembly (I).



Step 8

On the back side of the bolt placed in step 6 (B), place a washer (D) and then thread a nut (E) onto the bolt. Tighten with a 7/16 socket and wrench.



Step 9

Repeat steps 1-7 for other leg/arm assembly (H) of chair.

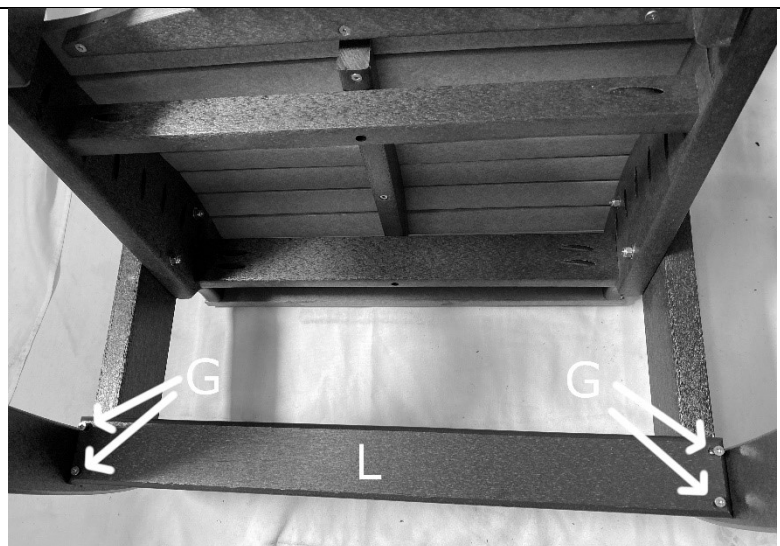
Step 10

When both leg/arm assemblies (H) have been attached to the chair, place the chair in the orientation showed to the right.



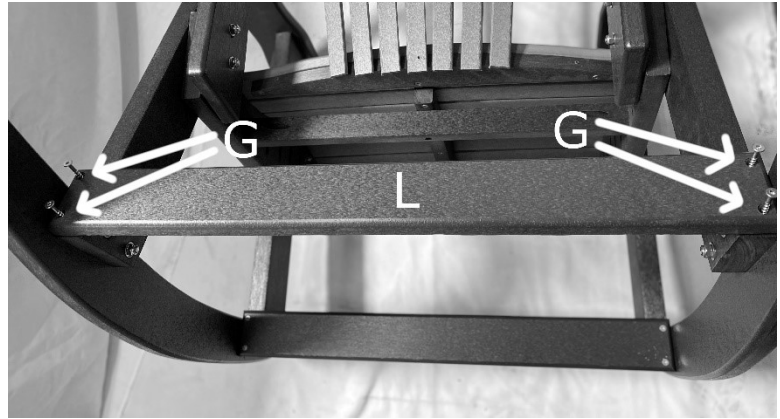
Step 11

Align the holes that are predrilled in the leg/arm assemblies (H) with the holes on the front brace (L), then use the provided 1.625 inch screws (G) to attach the front brace (L). The screws are a #2 Square bit. The brace with the buck logo will be mounted here with the logo facing out.



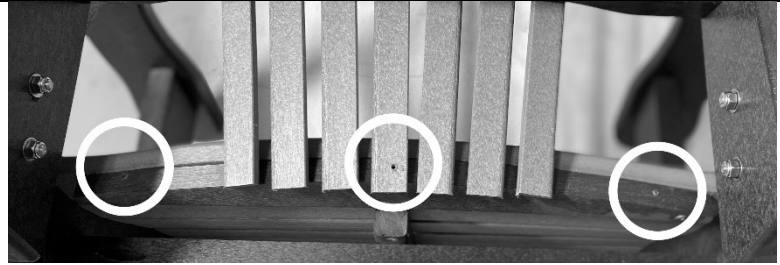
Step 12

Align the holes that are predrilled in the rear of the leg/arm assembly (H) with the holes in the rear brace (L). Using the provided 1.625 inch screws (G) attach the rear brace (L) to the leg/arm assemblies (H). The screws are a #2 Square bit.



Step 13

Align the rear cover strip (K) with the predrilled holes on the back and seat assemblies (I & J).



Step 14

Reattach the rear cover strip removed in Step 1, (K) to the back and seat assemblies (I & J) using the provided 1.25 inch (F) and 1.625 inch screws (G). The screws are a #2 Square bit.

