



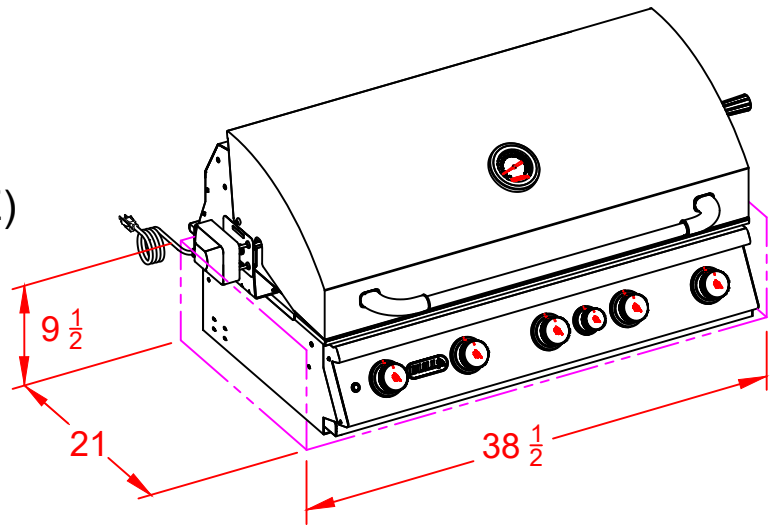
WWW.BULLBBQ.COM

BRAHMA 5 BURNER GRILL

SPEC SHEET

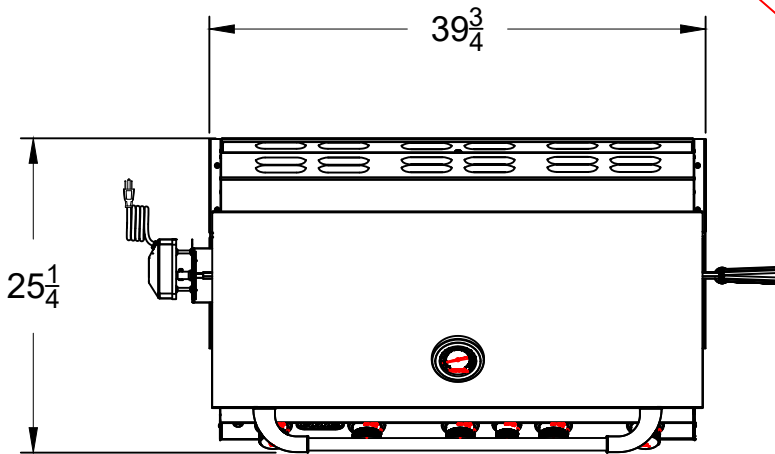
ITEM# 57568 LP (LIQUID PROPANE)

ITEM# 57569 NG (NATURAL GAS)

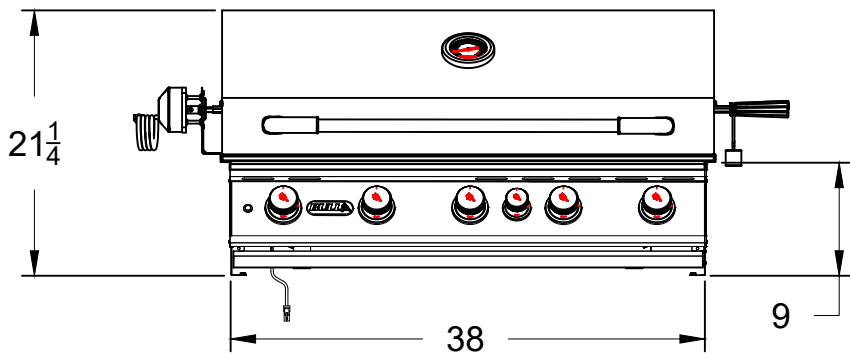


PERSPECTIVE VIEW

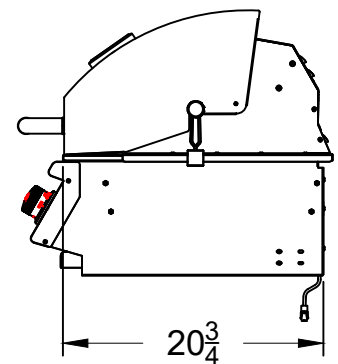
WITH INSTALLATION
CUT OUT DIMENSIONS



TOP VIEW



FRONT VIEW



RIGHT SIDE VIEW

NOTES:

- 1) ALL DIMENSIONS ARE IN INCH UNITS.
- 2) REFER TO PERSPECTIVE VIEW FOR INSTALLATION CUTOUT DIMENSIONS.

v.2023.02.07