



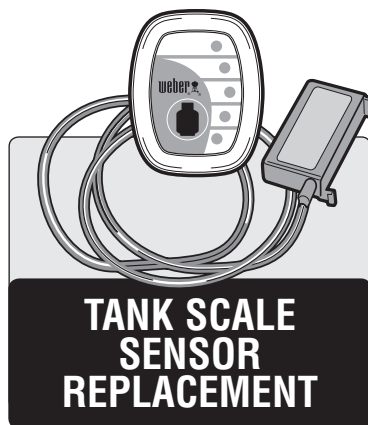
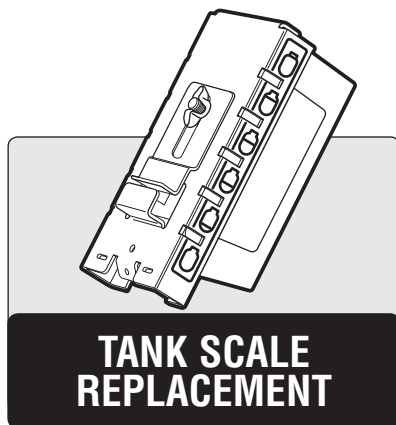
Summit

TANK SCALE / TANK SCALE SENSOR REPLACEMENT INSTRUCTIONS

**THIS PROCEDURE MUST BE PERFORMED BY AN AUTHORIZED
WEBER-STEPHEN PRODUCTS CO. SERVICE TECHNICIAN.
(ANY UNAUTHORIZED REPAIRS WILL VOID WARRANTY PROTECTION).**

⚠ WARNING: GENUINE WEBER-STEPHEN REPLACEMENT PARTS MUST BE USED FOR ANY REPAIR OR REPLACEMENT. YOUR ACTIONS, IF YOU FAIL TO FOLLOW THIS PRODUCT WARNING, MAY CAUSE A FIRE, AN EXPLOSION, OR STRUCTURAL FAILURE RESULTING IN SERIOUS PERSONAL INJURY OR DEATH AS WELL AS DAMAGE TO PROPERTY. (WILL VOID ALL WARRANTY PROTECTION.)

⚠ DANGER: BEFORE PERFORMING ANY WORK MAKE SURE THE GAS SUPPLY IS TURNED OFF AT THE SOURCE. FAILURE TO FOLLOW DANGERS, WARNINGS AND CAUTIONS CONTAINED IN THIS INSTRUCTION SHEET MAY CAUSE A FIRE OR AN EXPLOSION RESULTING IN SERIOUS PERSONAL INJURY OR DEATH AS WELL AS DAMAGE TO PROPERTY.



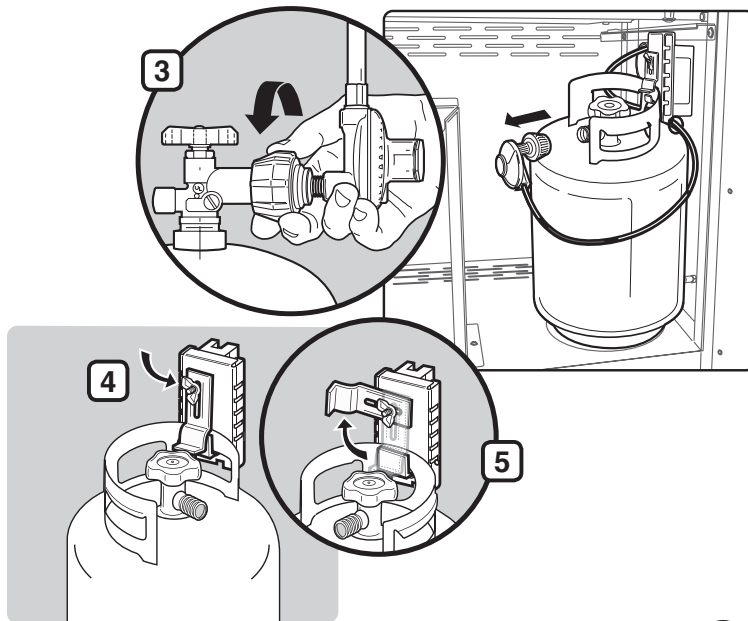
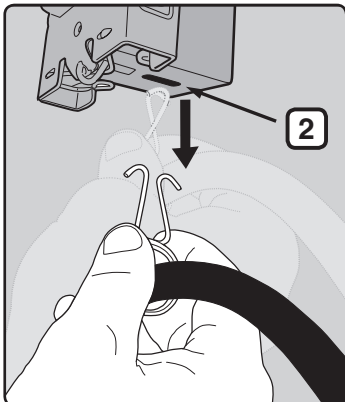
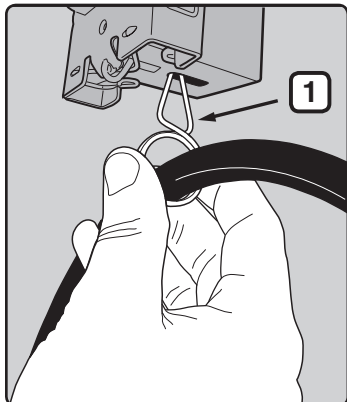
1 HOSE & REGULATOR REMOVAL

⚠ BEFORE STARTING: Make sure the shroud is down and the casters are locked to prevent the grill from moving.

Gas Source Removal:

- A) Remove the hose retention clip (1) on the regulator hose. Remove the hose retention clip from the slot (2) on the underside of the tank scale.
- B) Unscrew the regulator coupling from the tank valve (3), turn counter-clockwise, or to the left.
- C) Loosen the wing-nut on the tank scale (4), lift up the locking clip (5).
- D) Remove the propane cylinder from the cabinet of the grill.

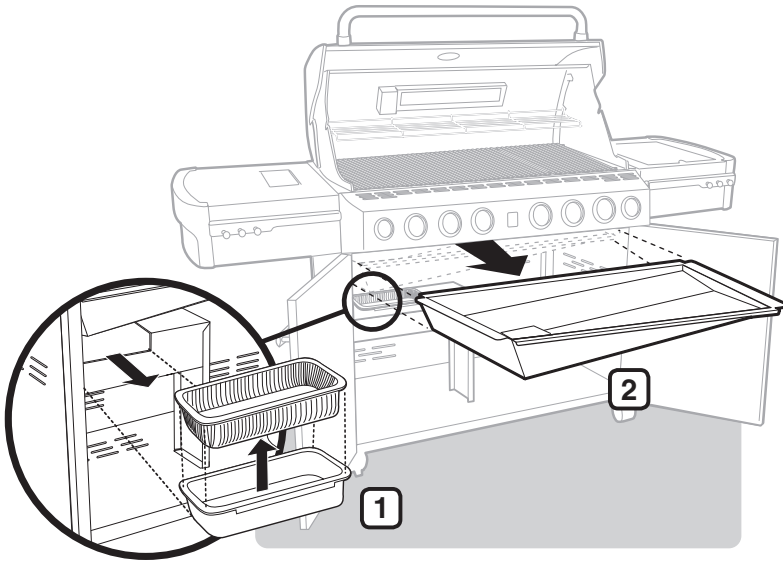
⚠ WARNING: Do not use a wrench to loosen the connection. Using a wrench could damage the regulator coupling and could cause a leak.



NOTE: The grills illustrated may have slight differences than the model purchased.

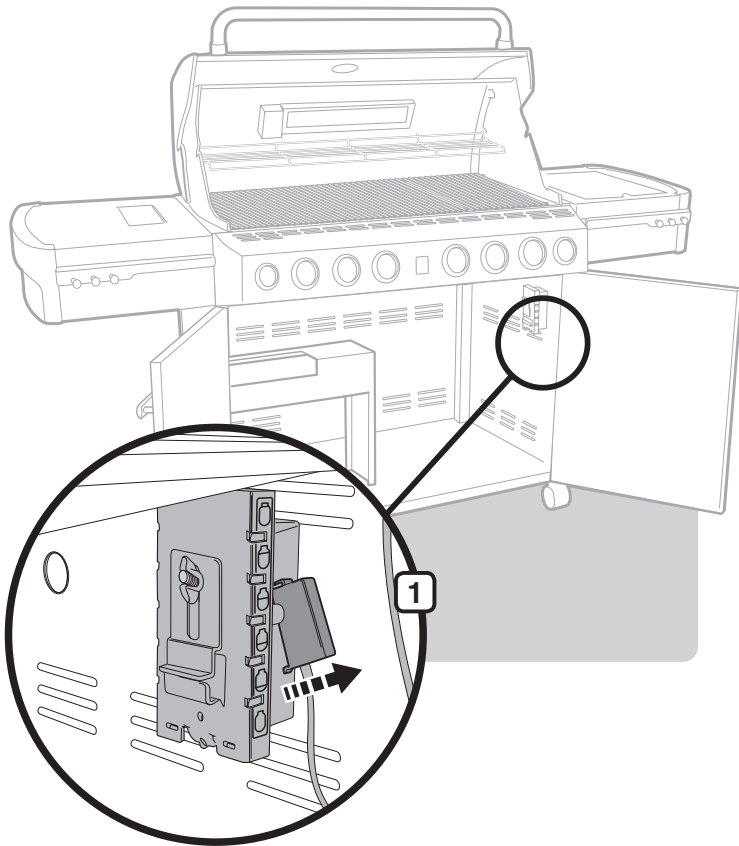
2 GREASE TRAY & CATCH PAN REMOVAL

- A) Remove disposable catch pan and catch pan container (1).
- B) Remove the slide out grease tray (2).



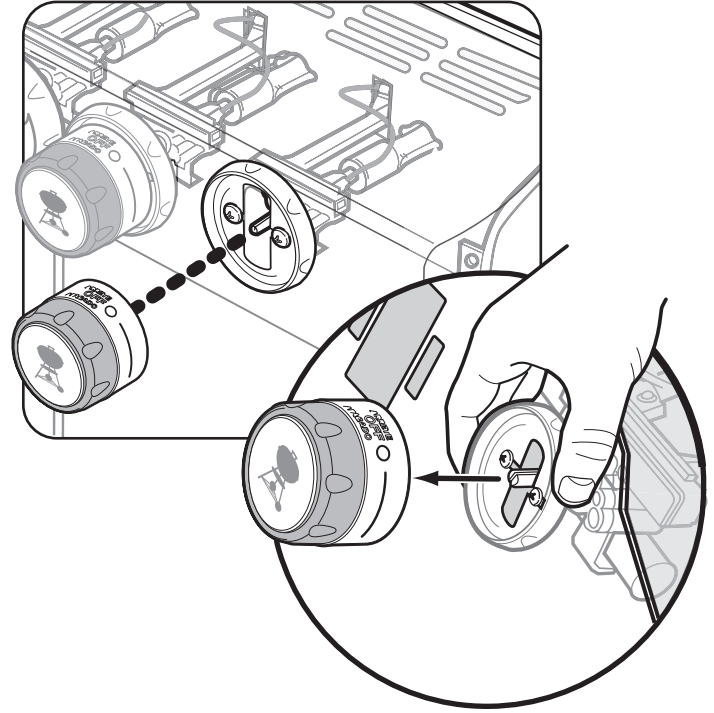
3 DISCONNECT TANK SENSOR

- A) Disconnect the tank scale sensor from the tank scale (1). This is done by squeezing the bottom clip in and pulling up on the bottom of the tank scale sensor at the same time.



4 CONTROL KNOB REMOVAL

- A) Remove the control knobs.



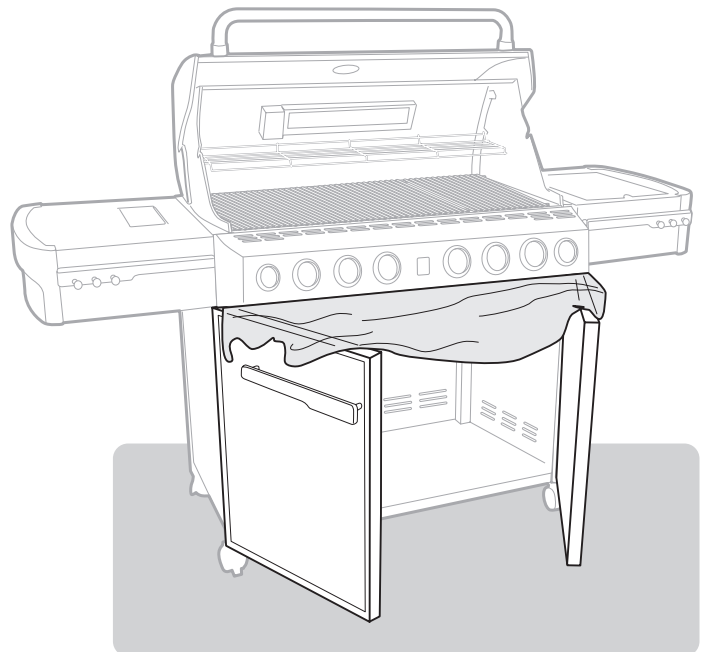
5 TOWEL PLACEMENT

TOOLS NEEDED:



- TOWEL

- A) Open both doors and place a towel on top of the doors. *This will protect the control panel and tops of the doors from getting scratched on the next step.*



6

CONTROL PANEL REMOVAL

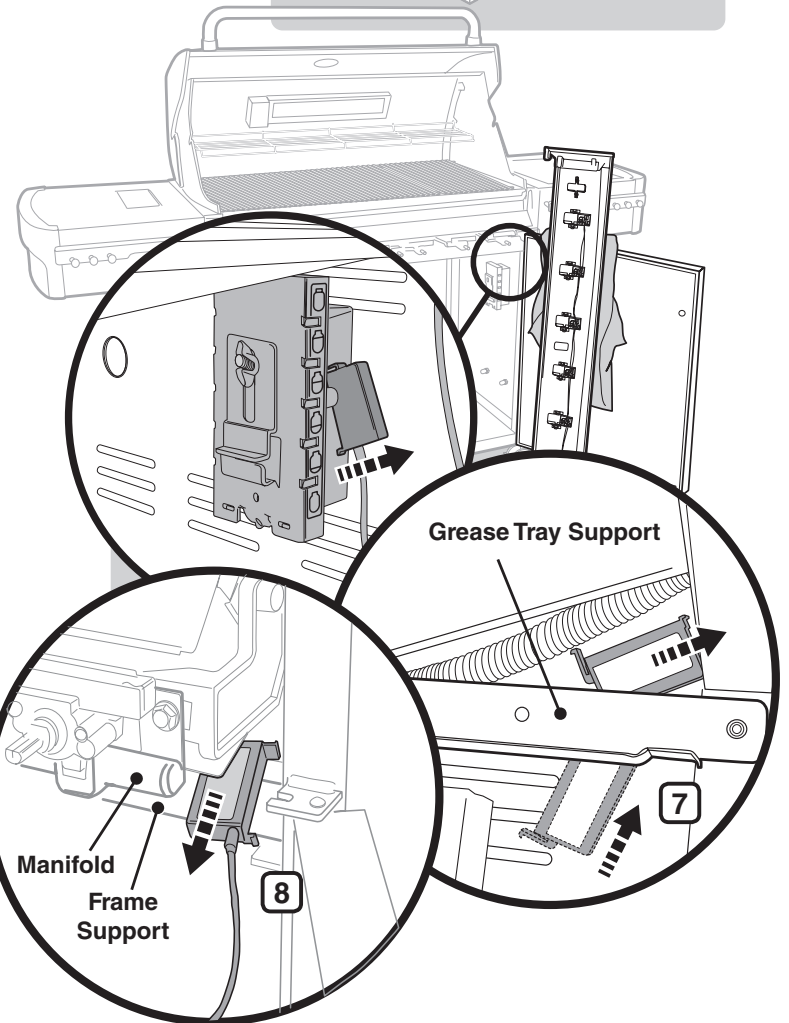
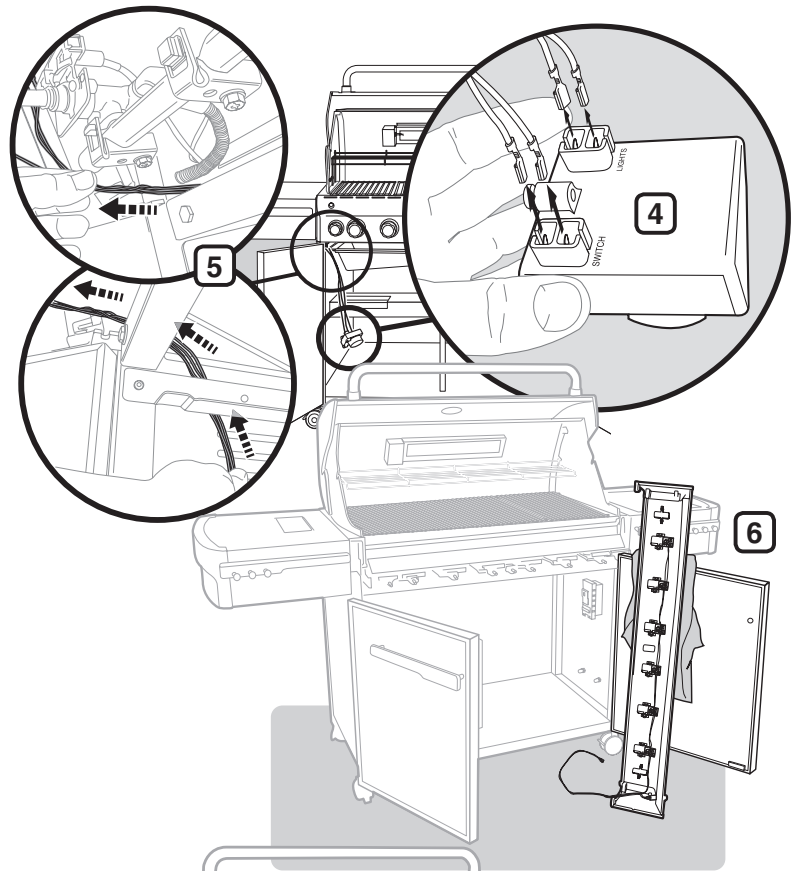
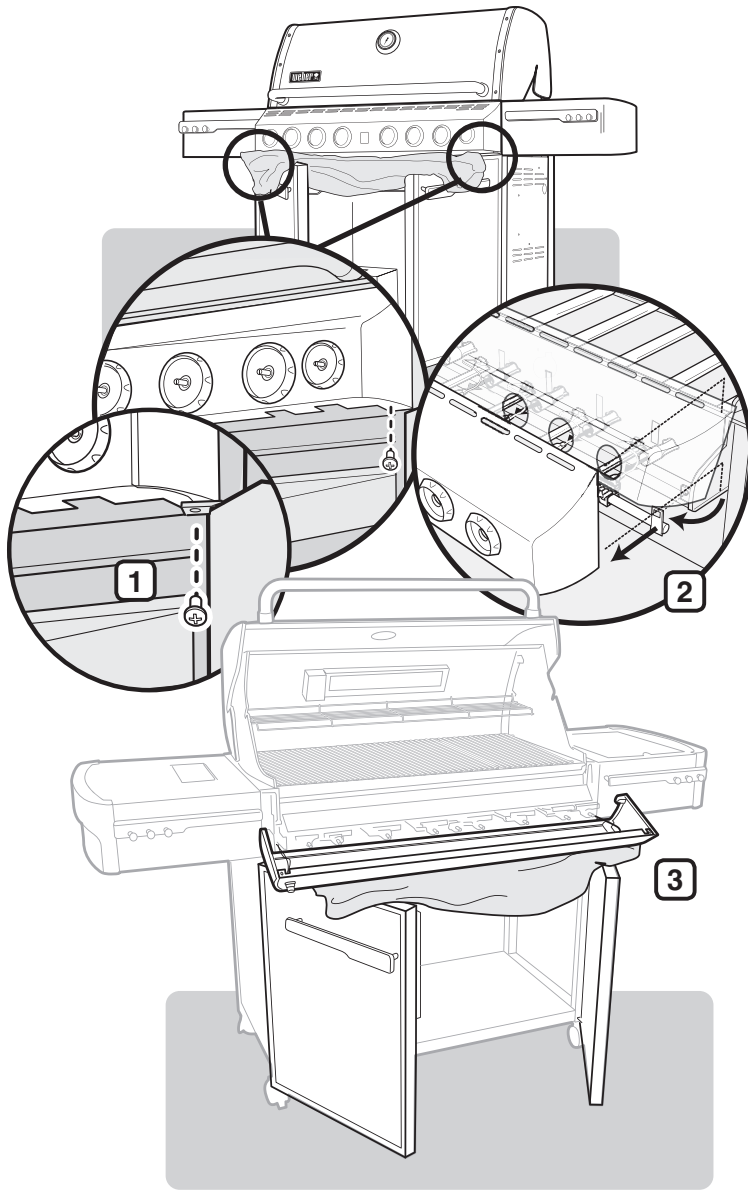
TOOLS NEEDED:



- PHILLIPS

- A) Remove the screws from the underside of control panel with a Phillips head screwdriver (1).
- B) Tilt the control panel forward and lift up and away from the grill (2).
- C) Place the control panel on the towel covering the door assemblies (3).
- D) Disconnect the wires from the battery pack on the left side of the control panel (4). Slide the wires out and away from the grill (5).
- E) Lift the control panel and towel from both of the doors, rotate the control panel down and rest the control panel and towel on the right door (6).
- F) Slide the tank scale sensor out from the grill assembly.

This can be done by sliding the tank scale sensor up and around the grease tray support (7). Lift the main gas line up and slide the tank scale sensor around and out of the front of the grill (8).

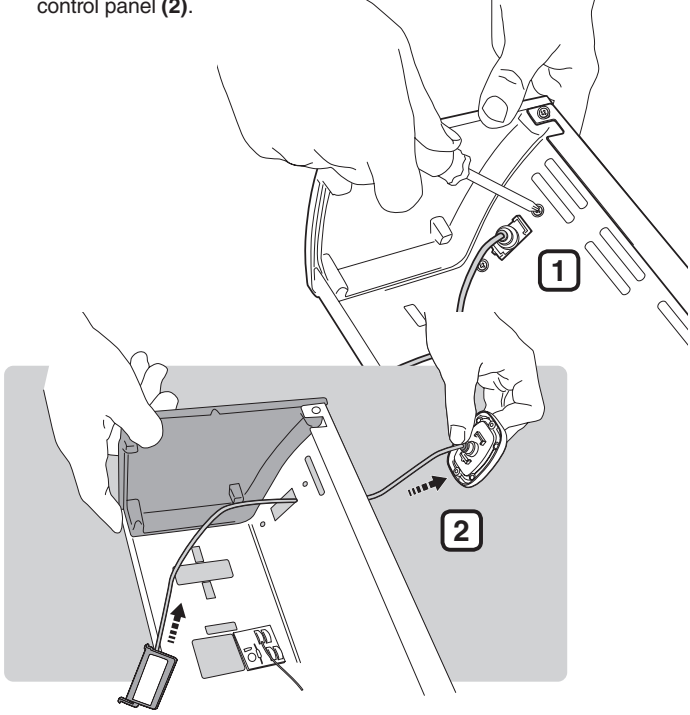


- PLACE THE CONTROL PANEL ON A NONABRASIVE SURFACE TO ACCESS THE TANK SENSOR ASSEMBLY.

7 TANK SCALE INDICATOR REMOVAL

TOOLS NEEDED:  - PHILLIPS

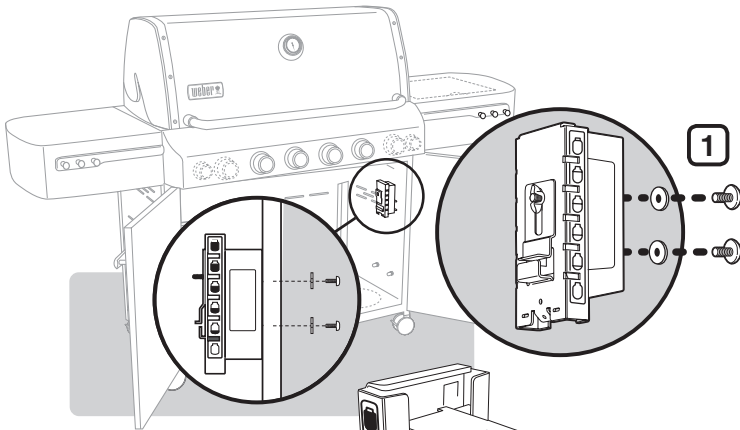
- A) Remove the screws that secure the tank scale indicator to the control panel with a Phillips head screwdriver (1).
- B) Slide the tank scale wire and tank scale sensor out through the hole in the control panel (2).



8 TANK SCALE REMOVAL/INSTALLATION

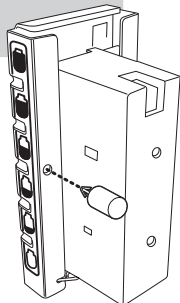
TOOLS NEEDED:  - PHILLIPS

- A) Remove the screws that secure the tank scale to the right side panel with a Phillips head screwdriver (1).
- B) Install the screws that secure the tank scale to the right side panel



Tank Scale Magnet Installation

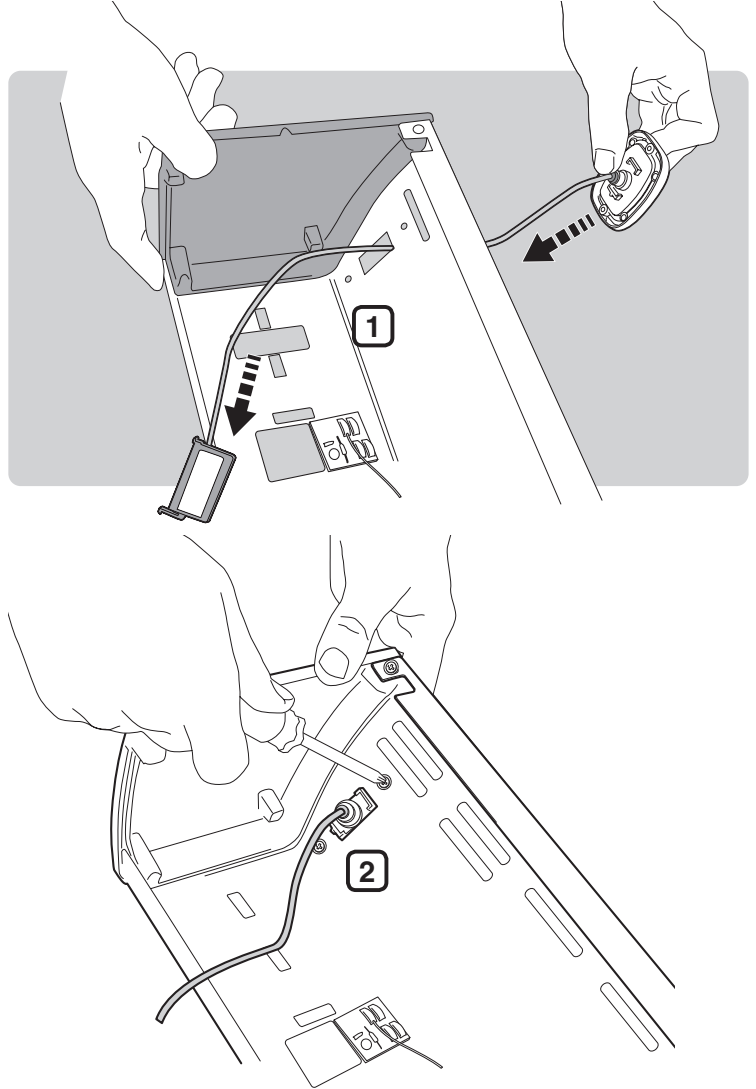
- A) Press the tank scale magnet firmly into place. **Be very careful not to press the magnet in at an angle this could cause the magnet clip to break.**



9 TANK SCALE INDICATOR INSTALLATION

TOOLS NEEDED:  - PHILLIPS

- A) Slide the tank scale wire and tank scale sensor through the hole in the control panel (1).
- B) Reinstall the screws that secure the tank scale indicator to the control panel with a Phillips head screwdriver (2).



10

CONTROL PANEL INSTALLATION

TOOLS NEEDED:

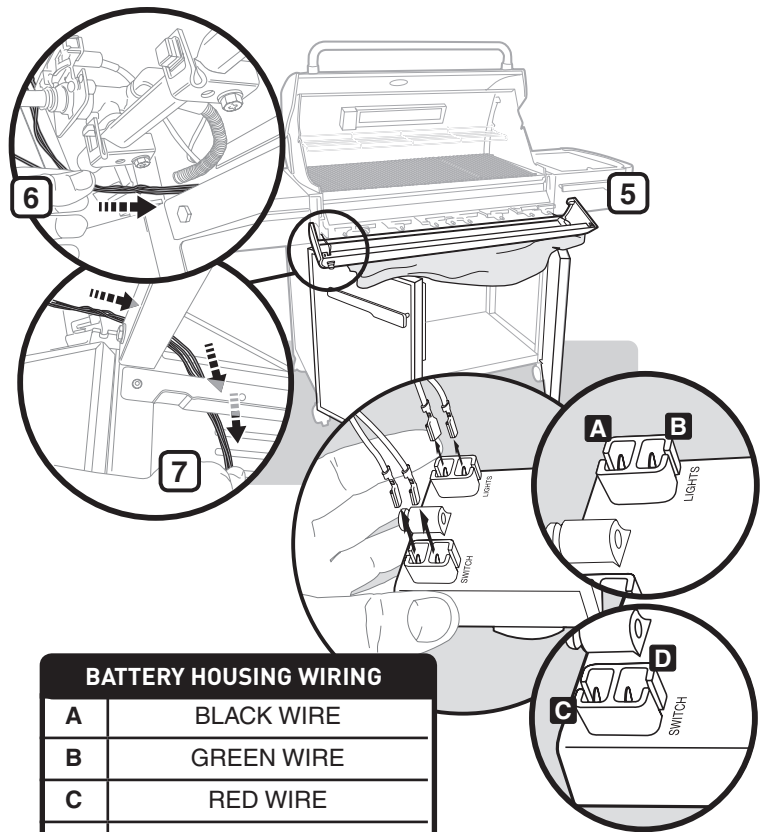


- PHILLIPS

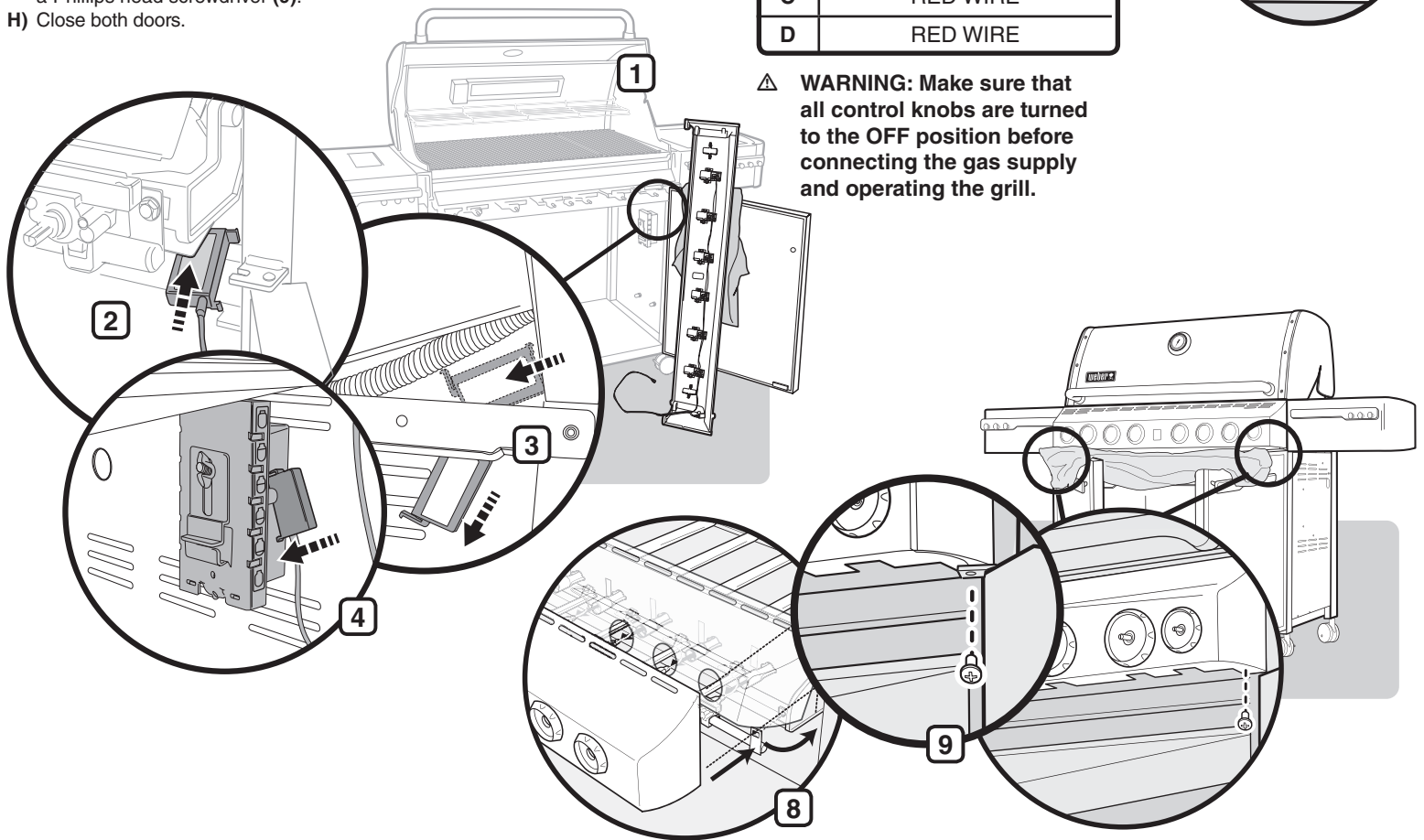


- TOWEL

- A) Lean the control panel on the towel covering the right door assembly (1). **This will protect the control panel and top of the door from getting scratched.**
- B) Slide the tank scale sensor into the grill assembly. This can be done by sliding the tank scale sensor through the front of the grill (2). Lift the main gas line up and slide the tank scale sensor around and behind the grease tray support (3). **MAKE SURE THE TANK SCALE SENSOR WIRE IS BEHIND THE GREASE TRAY SUPPORT SO NOT TO DAMAGE THE WIRE WHEN REMOVING THE GREASE TRAY FOR CLEANING.**
- C) Connect the tank scale sensor to the tank scale (4).
- D) Rotate the control panel and towel up, and gently place on both of the opened doors (5).
- E) Slide the battery wires into the front of the grill (6) and behind the grease tray support (7). Connect the wires to the battery pack. **MAKE SURE THE BATTERY WIRES ARE BEHIND THE GREASE TRAY SUPPORT SO NOT TO DAMAGE THE WIRES WHEN REMOVING THE GREASE TRAY FOR CLEANING.**
- F) Slide the control panel onto the grill (8).
- G) Install the screws to secure the control panel to the grill, with a Phillips head screwdriver (9).
- H) Close both doors.



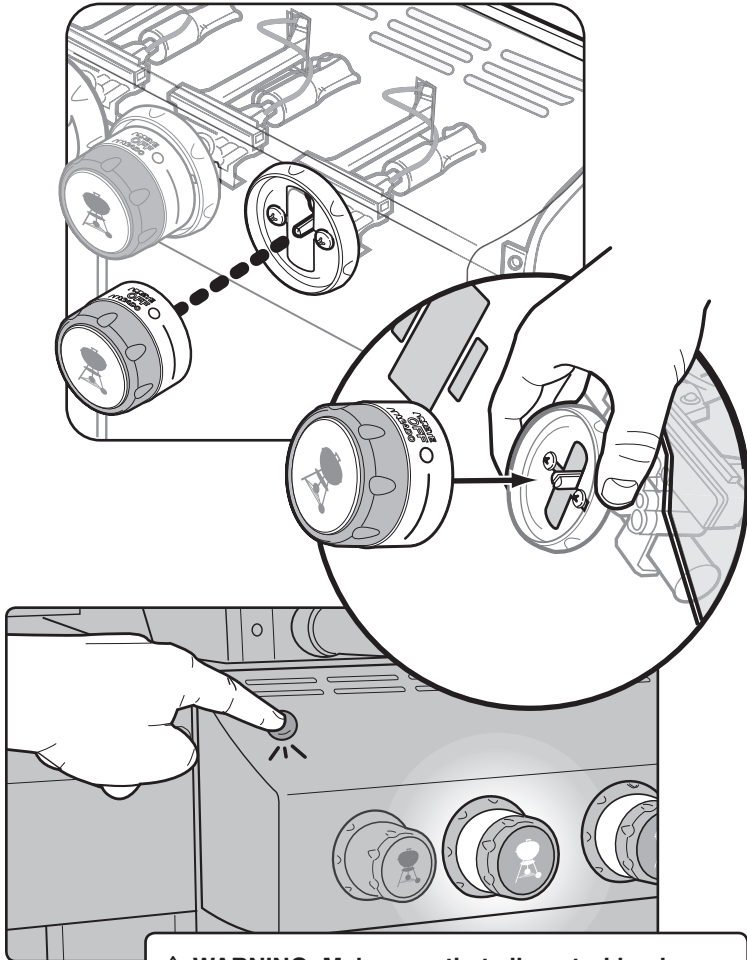
⚠ WARNING: Make sure that all control knobs are turned to the OFF position before connecting the gas supply and operating the grill.



11

REINSTALL CONTROL KNOB

- A) Reinstall the control knobs.
- B) Test the lighted control knobs.

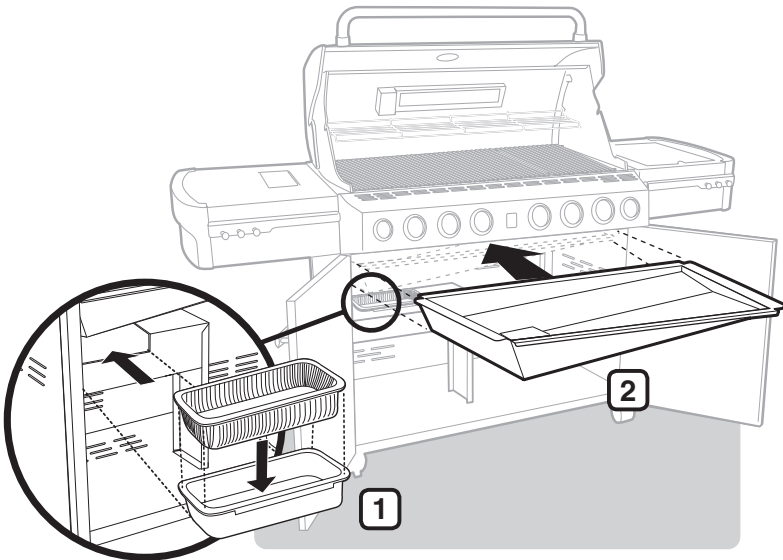


⚠ WARNING: Make sure that all control knobs are turned to the OFF position before reconnecting the gas supply and operating the grill.

12

REINSTALL GREASE TRAY & CATCH PAN

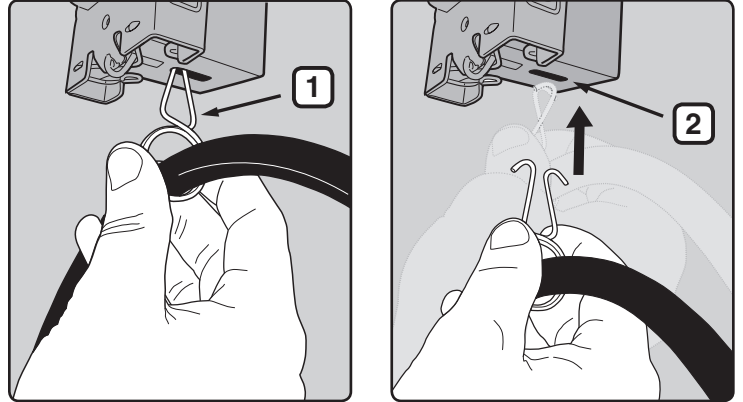
- A) Reinstall the disposable catch pan and catch pan container (1).
- B) Reinstall the slide out grease tray (2).



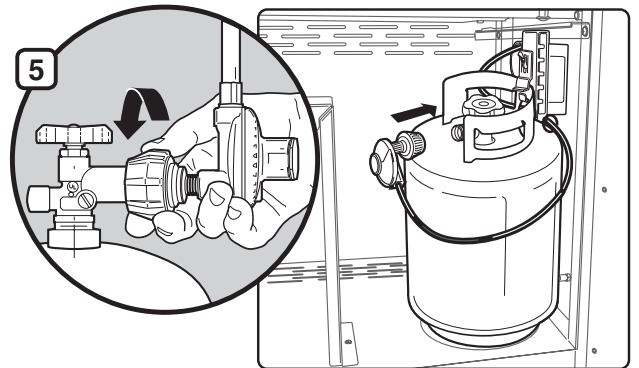
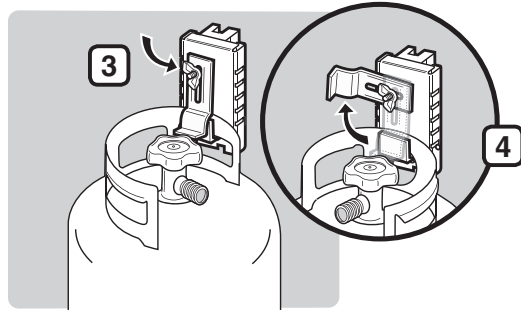
13

REINSTALL HOSE & REGULATOR

- A) Reinstall the hose retention clip (1) on the regulator hose. Insert the hose retention clip into the slot (2) on the underside of the tank scale.
- B) Loosen the wing-nut on the tank scale (3), lift up the locking clip (4).
- C) Turn the LP cylinder so the opening of the valve is either to the front or side of the Weber® gas barbecue.
- D) Reinstall the propane cylinder onto the tank scale.
- E) Hand tighten the regulator coupling to the tank valve (5), turn clockwise, or to the right.



⚠ WARNING: The hose must be secured to the tank scale with the Hose Retention Clip. Failure to do so could cause damage to the hose resulting in a fire or explosion which can cause serious bodily injury or death, and damage to property.



⚠ WARNING: Do not use a wrench to loosen the connection. Using a wrench could damage the regulator coupling and could cause a leak.

⚠ WARNING: Make sure that all parts are assembled and hardware is fully tightened before operating the grill. Your actions, if you fail to follow this Product Warning, may cause a fire, an explosion, or structural failure resulting in serious personal injury or death as well as damage to property.

⚠ PROPOSITION 65 WARNING: HANDLING THE BRASS MATERIAL ON THIS PRODUCT EXPOSES YOU TO LEAD, A CHEMICAL KNOWN TO THE STATE OF CALIFORNIA TO CAUSE CANCER, BIRTH DEFECTS OR OTHER REPRODUCTIVE HARM.

(WASH HANDS AFTER HANDLING THIS PRODUCT.)

⚠ WARNING: All repairs to gas carrying, gas burning, igniter components or structural components must be performed by an authorized Weber-Stephen Products Co. service technician.

These parts may be gas carrying, gas burning components, igniter components or structural components. Please contact Weber-Stephen Products Co., Customer Service Department for Genuine Weber-Stephen Products Co. replacement part(s) information.

⚠ WARNING: Do not attempt to make any repair to gas carrying, gas burning, igniter components or structural components without contacting Weber-Stephen Products Co., Customer Service Department. Your actions, if you fail to follow this Product Warning, may cause a fire, an explosion, or structural failure resulting in serious personal injury or death as well as damage to property.

Visit



WEBER-STEPHEN PRODUCTS CO.

www.weber.com®

For All of Your Grilling Needs



WEBER-STEPHEN PRODUCTS CO.
Customer Service Center
1890 Roselle Road, Suite 308
Schaumburg, IL 60195

1-800-446-1071 (USA ONLY)
www.weber.com