

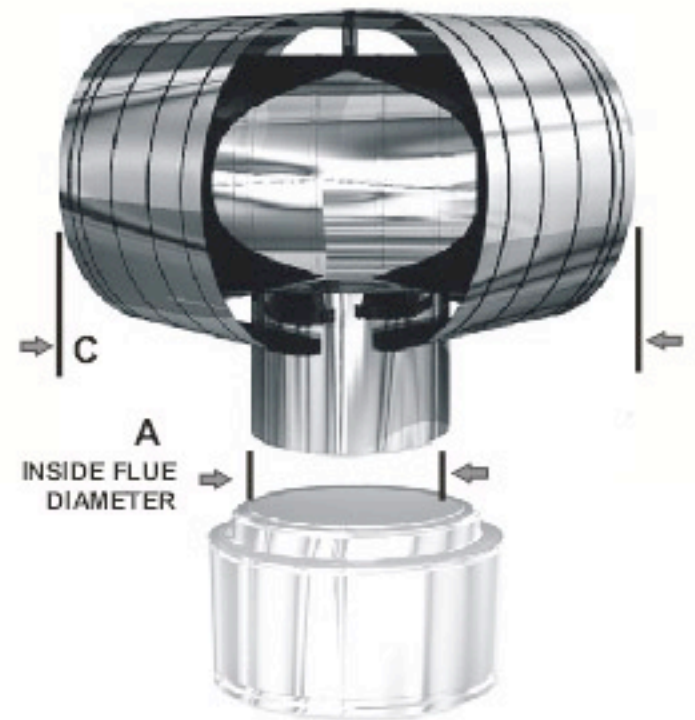
VACU-STACK® SPECIFICATIONS

Vacu-Stack® Model VSS WITHOUT SCREEN

Application: For round chimneys other than air cooled and for masonry chimneys using the ICP masonry adapter. This is the premier cap for solving common wind-related chimney draft problems caused by conditions such as hills and mountains in the vicinity, tall trees near the chimney, or tall buildings nearby.

Standard Materials: 100% austenitic stainless steel, stainless steel screen.

Alternate materials: Copper (Model VSC) and Type 316 stainless steel (Model VSM) for marine environments.



MODEL # (1" SCREEN OPENING*)	DIAMETERS (INCHES)		SHIPPING WEIGHT (POUNDS)
	A	C	
VSS-6	6	14	6
VSS-7	7	15	6
VSS-8	8	18	8.25
VSS-812	6 x 10 oval	18	10
VSS-9	9	20	11
VSS 9.5	9.5	20	11
VSS-10	10	21	11
VSS-11	11	23	18
VSS-11.5	11.5	24	18
VSS-12	12	24	18
VSS-1216	10 x 14 oval	25	28
VSS-13	13	28	38
VSS-14	14	30	38

SIZES: Custom sizes available up to 48". Call for price and specific requirements.

CHIMNEY TYPES: Single wall, solid pack insulated, Class A, B vent, and square or rectangular masonry chimneys using ICP masonry adapter.

SCREENS: Also available with 1" and 1/2" mesh screen openings. Check local regulations for what is required in your area.

* Nominal dimension



Improved Consumer Products, Inc.

(508) 695-7000 508-695-4209 (fax) www.chimneycaps.com