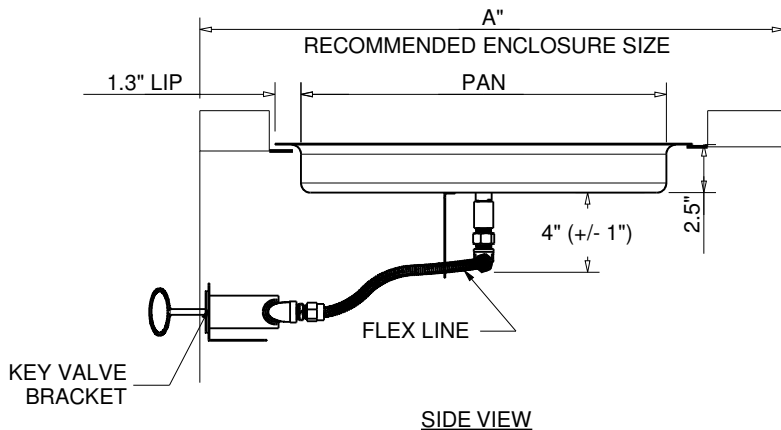


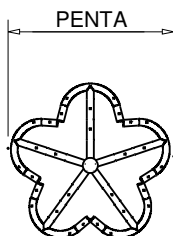


**Hearth Products Controls Co**  
**CSA CERTIFIED-OUTDOOR USE ONLY**  
**FOR COMMERCIAL AND RESIDENTIAL USE**

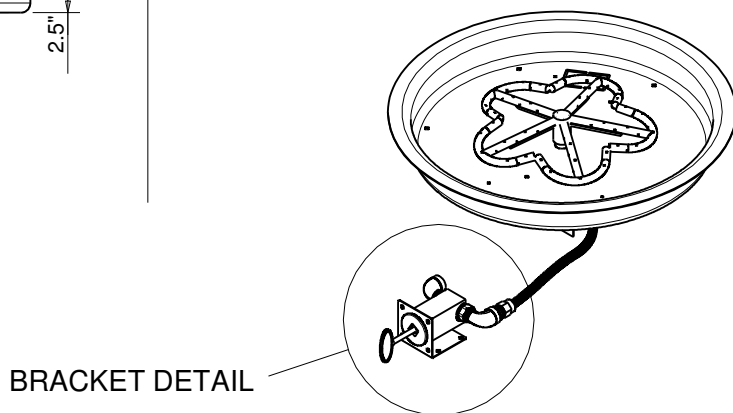
HEARTH PRODUCTS CONTROLS  
 3050 PLAINFIELD RD.  
 KETTERING, OH 45432  
 TOLL FREE: 1-877-433-7001  
 PHONE: (937) 433-7000  
 FAX: (937) 433-0704  
 www.hpcfire.com



SIDE VIEW



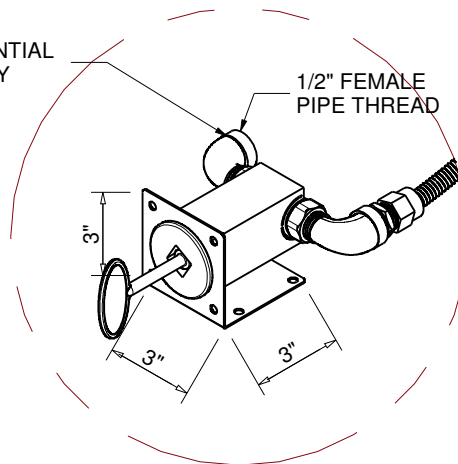
BURNER



BRACKET DETAIL

ISOMETRIC VIEW

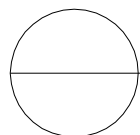
GAS IN: RESIDENTIAL  
 PRESSURE ONLY



MATERIAL: 304 STAINLESS STEEL

PART NUMBERS	DIMENSION CHART						
	PAN	BURNER 1		BURNER 2		A"	STND FLEX LINE LENGTH
		SIZE	BTU	SIZE	BTU		
PENTA13MLFPK-FLEX	13"	12"	65K	-	-	45"	36"
PENTA19MLFPK-FLEX	19"	12"	65K	-	-	45"	36"
PENTA25MLFPK-FLEX	25"	18"	65K	12"	65K	54"	36"
PENTA31MLFPK-FLEX	31"	18"	65K	12"	65K	54"	36"

- Notes:
- PROPER VENTING
    - ENCLOSURES: Recommend 4 each 18 sq.in. vents on opposing sides (Minimum 2 each 18 sq.in. vents).
  - GAS SUPPLY - FOR USE WITH FIXED PIPING SYSTEMS ONLY OR FOR USE WITH SMALL TANKS UP TO 90K.
    - Natural Gas: Operating Supply Pressure: Minimum: 6.0" W.C.; Maximum: 7.0" W.C.
    - LP Gas: Operating Supply Pressure: Minimum: 10.0" W.C.; Maximum: 11.0" W.C.
- IMPORTANT: Ensure any flex line that may be used from the permanent main fuel supply to the product is rated to the stated max btu of the product and certified to ANSI Z21.75\*CSA 6.27.
- MODIFICATION OF PRODUCT WILL VOID ANY CERTIFICATION AND WARRANTY.
  - FOLLOW ALL MANUFACTURER INSTALLATION INSTRUCTIONS AND LOCAL CODES.
  - ALL DIMENSIONS ARE CONSIDERED TRUE AND REFLECT MANUFACTURER'S SPECIFICATIONS AS OF THE REVISION DATE.
  - DO NOT SCALE DRAWING.
  - THESE DRAWINGS ARE FOR SIZING AND PLANNING PURPOSES. ALL INFORMATION CONTAINED HEREIN WAS CURRENT AT THE TIME OF DEVELOPMENT. THE MANUFACTURER'S RESPONSIBLE FOR THE ACCURACY OF THE DRAWING.
  - CONTRACTOR'S NOTE: FOR PRODUCT AND COMPANY INFORMATION VISIT [www.CADdetails.com/info](http://www.CADdetails.com/info) REFERENCE NUMBER 771-009.



MATCH LIT FIRE PIT INSERT - WITH FLEX LINE

BOWL ROUND PAN - MLFPK