

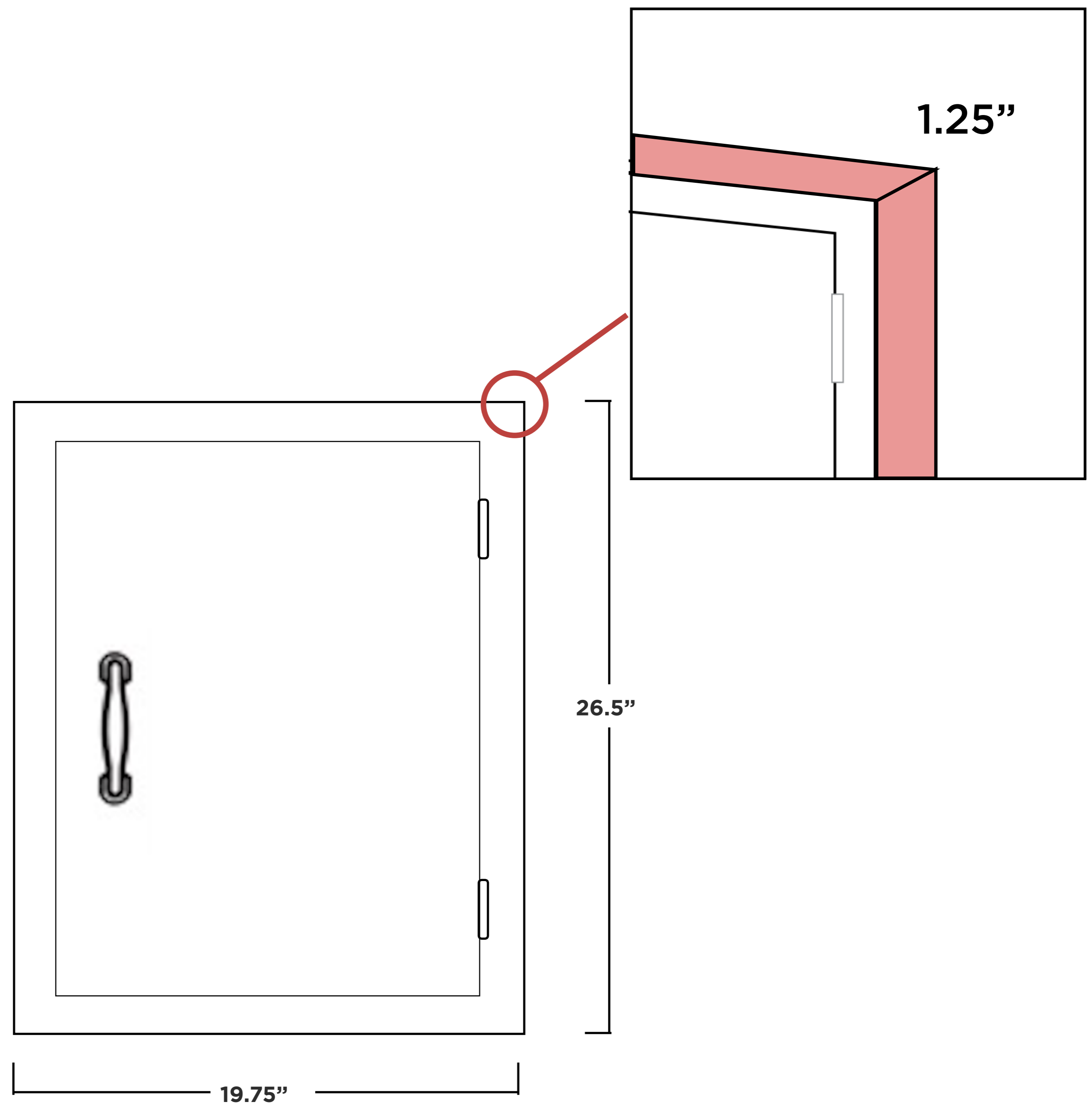


# SUMMERSET

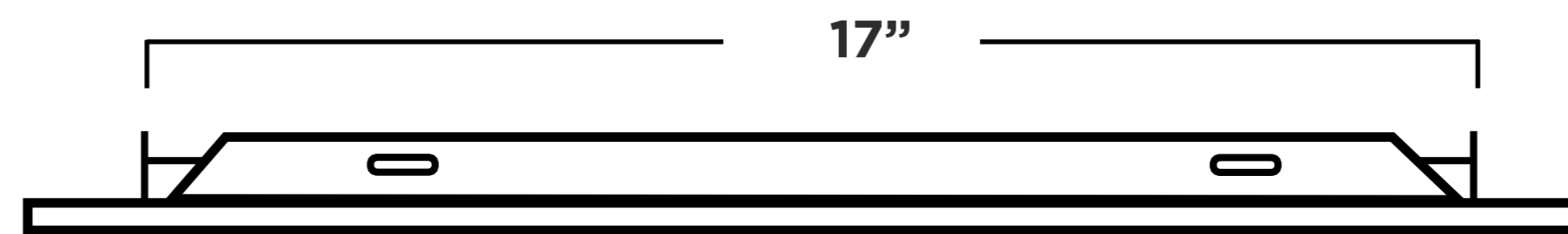
PROFESSIONAL GRILLS

## Large Vertical Door (Masonry Flange)

<b>Model</b>	SSDVL-M
<b>Cutout Dimensions **</b>	17.25"W x 24.25"H x N/A"D
<b>Actual Dimensions</b>	19.75"W x 26.5"H x N/A"D



**Top**



**Side**



### NOTES