

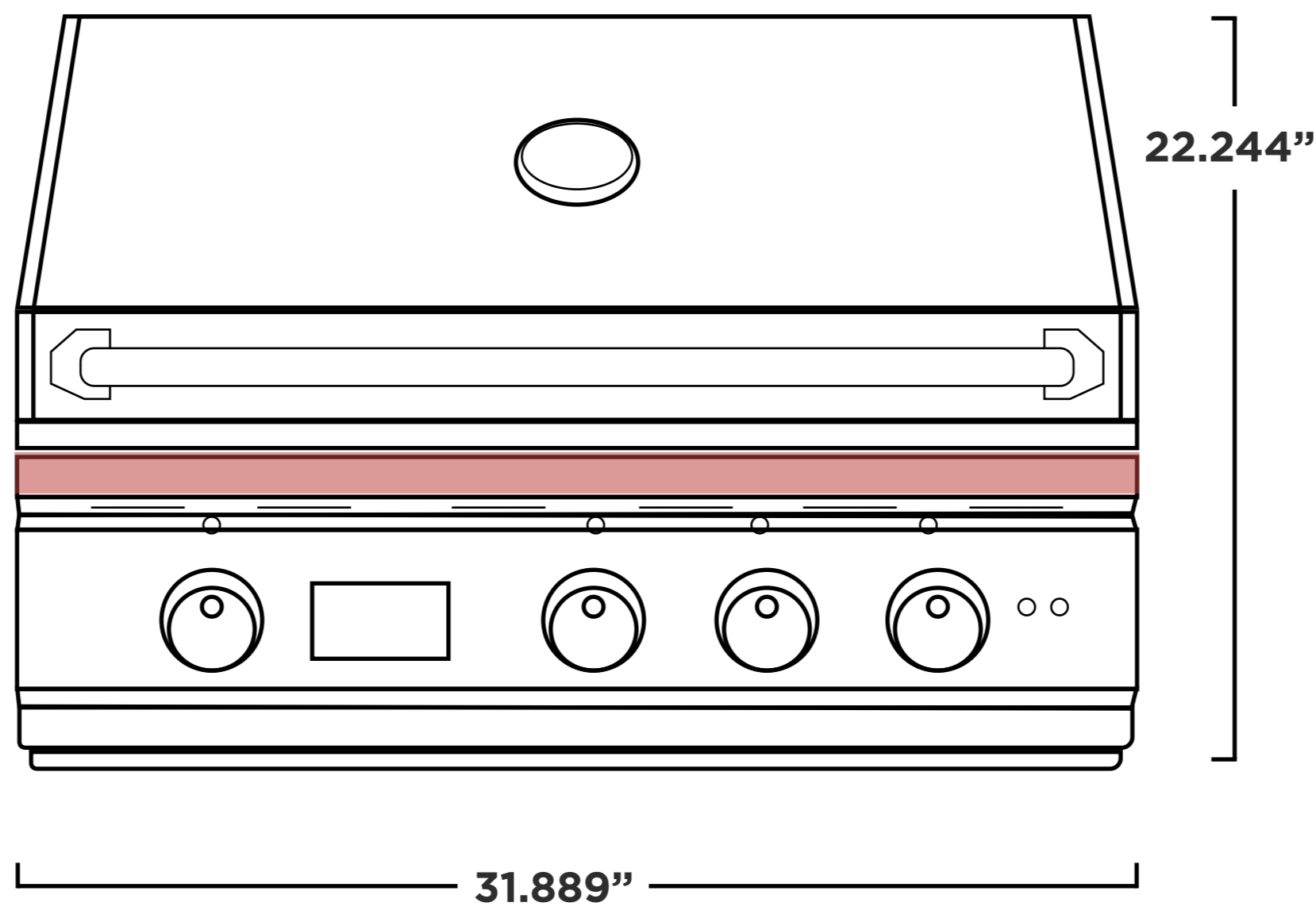


**SUMMERSET**  
PROFESSIONAL GRILLS

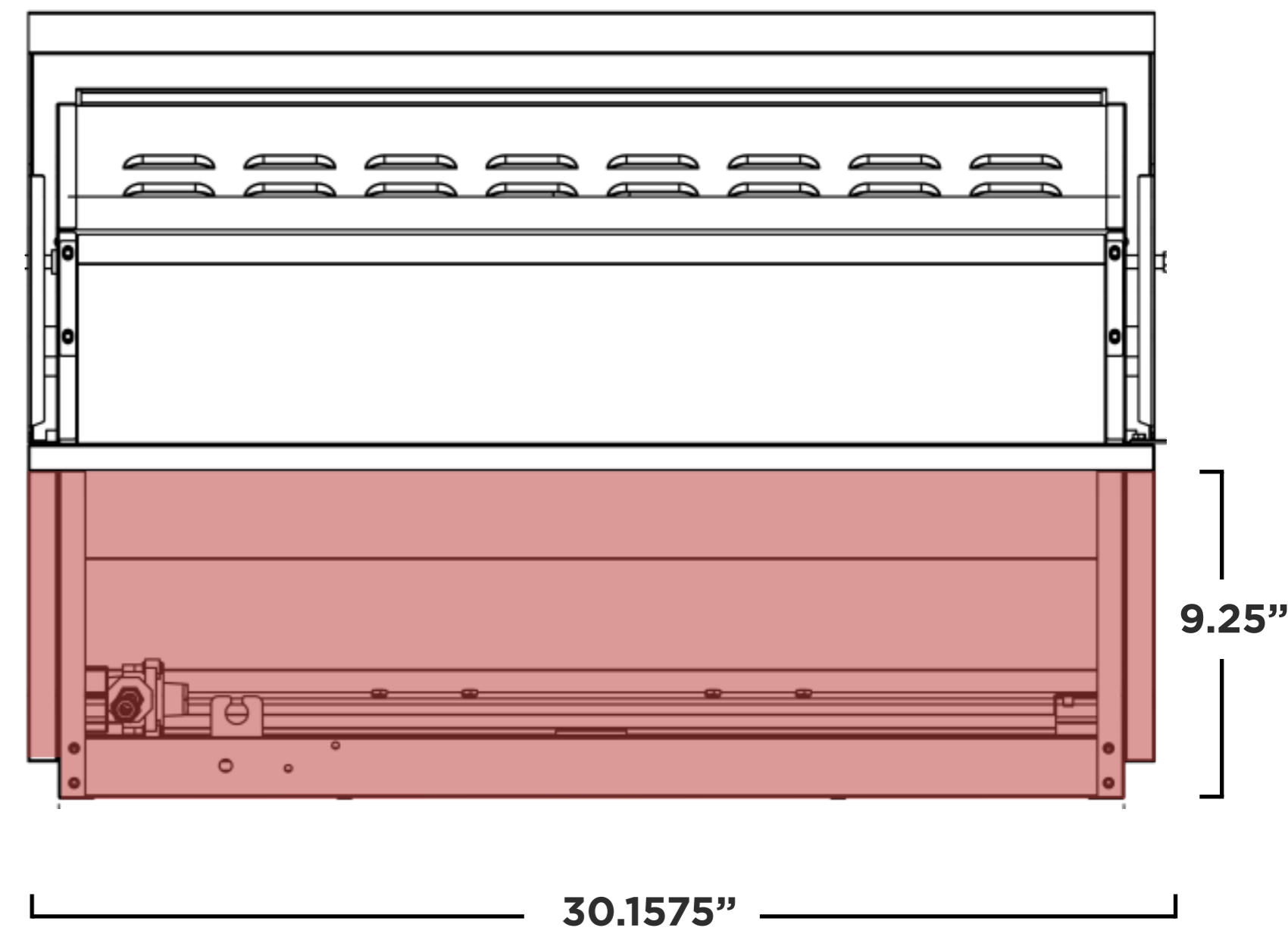
**32" TRL**

<b>Model</b>	TRL32
<b>Cutout Dimensions**</b>	30.5"W x 10"H x 20.75"D
<b>Actual Dimensions</b>	31.889"W x 22.244"H x 24.685"D
<b>Material</b>	#304 Stainless Steel
<b>Burner Count</b>	3 Main Burner
<b>Total BTU</b>	69,000 BTU
<b>Total Cooking Surface</b>	925 sq. in.
<b>Electical Supply</b>	120 VAC, 60 HZ - Input 12 VAC, 5000 mA, 60W - Output
<b>Gas Inlet NG</b>	3/8" NPT Female Regulator
<b>Gas Inlet LP</b>	3/8" NPT Male Fitting
<b>Power Cord Length</b>	13 ft. : 77" Power Cord + 80" Trans Wire

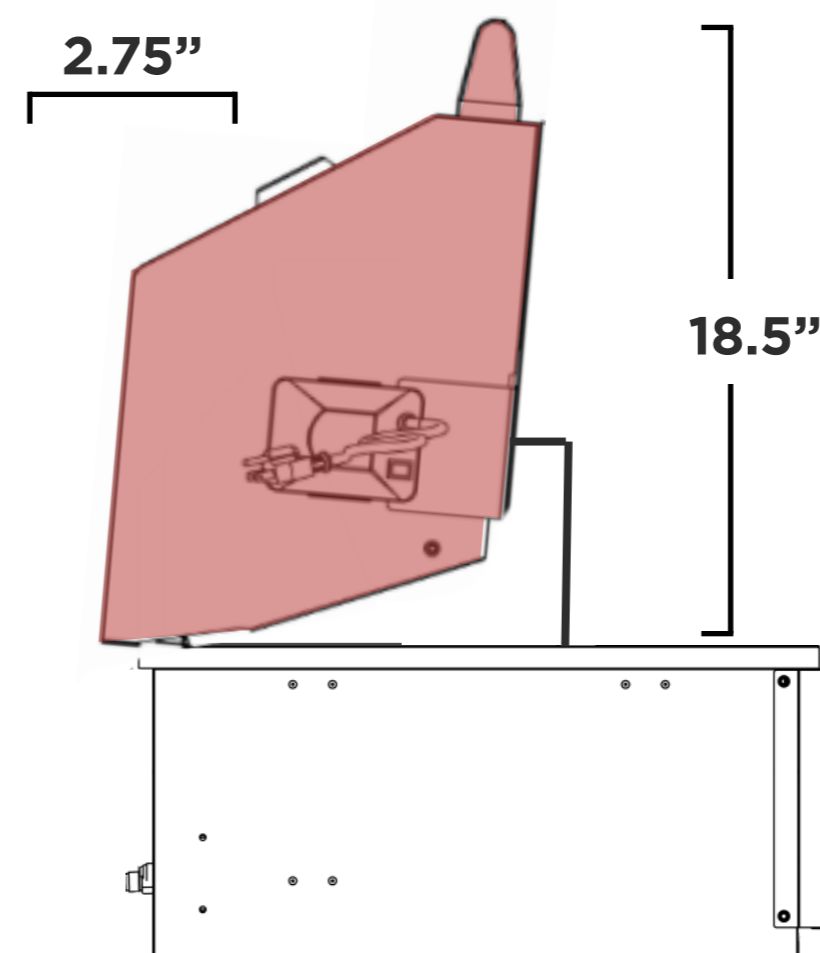
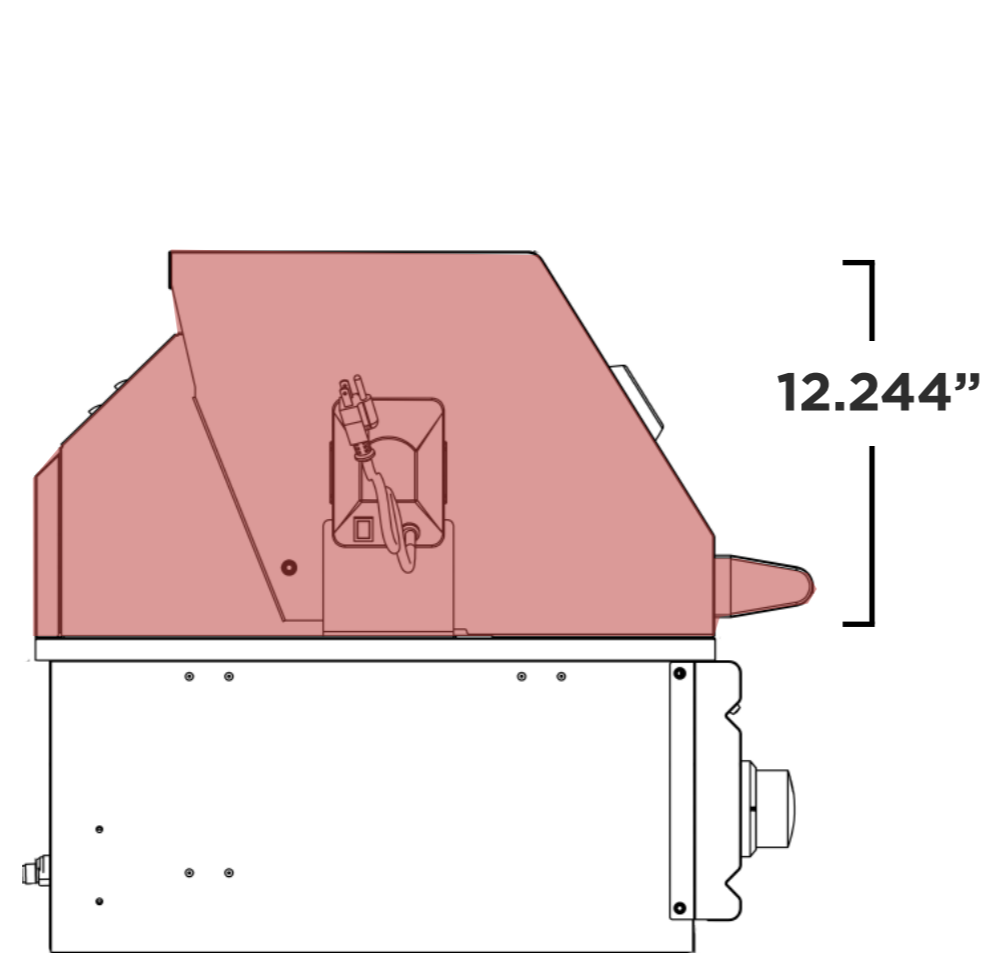
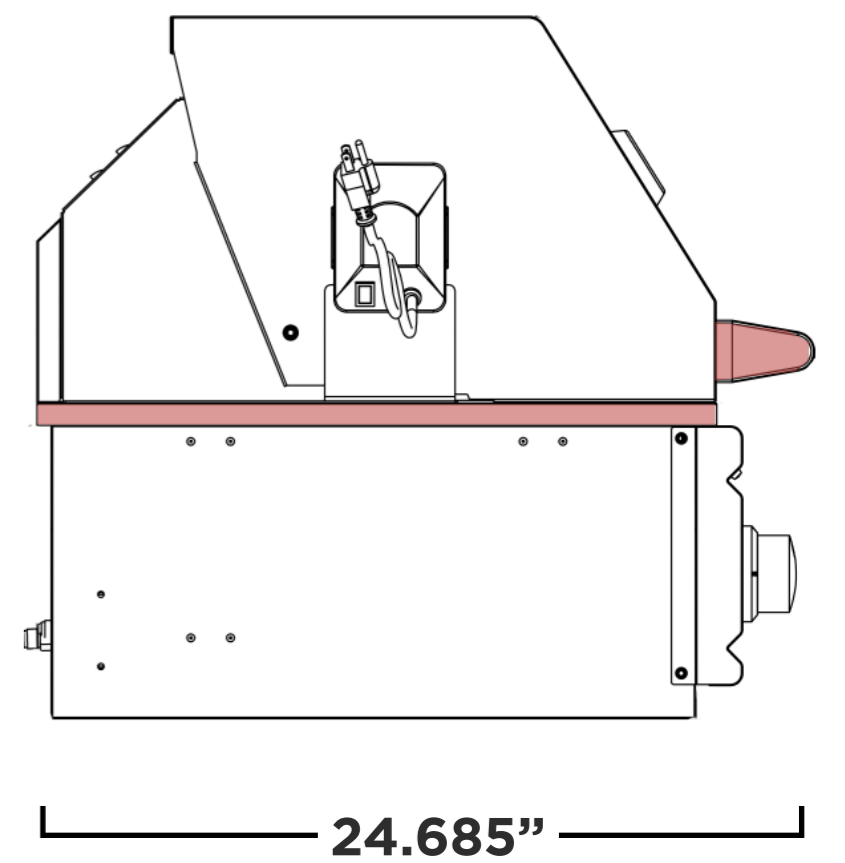
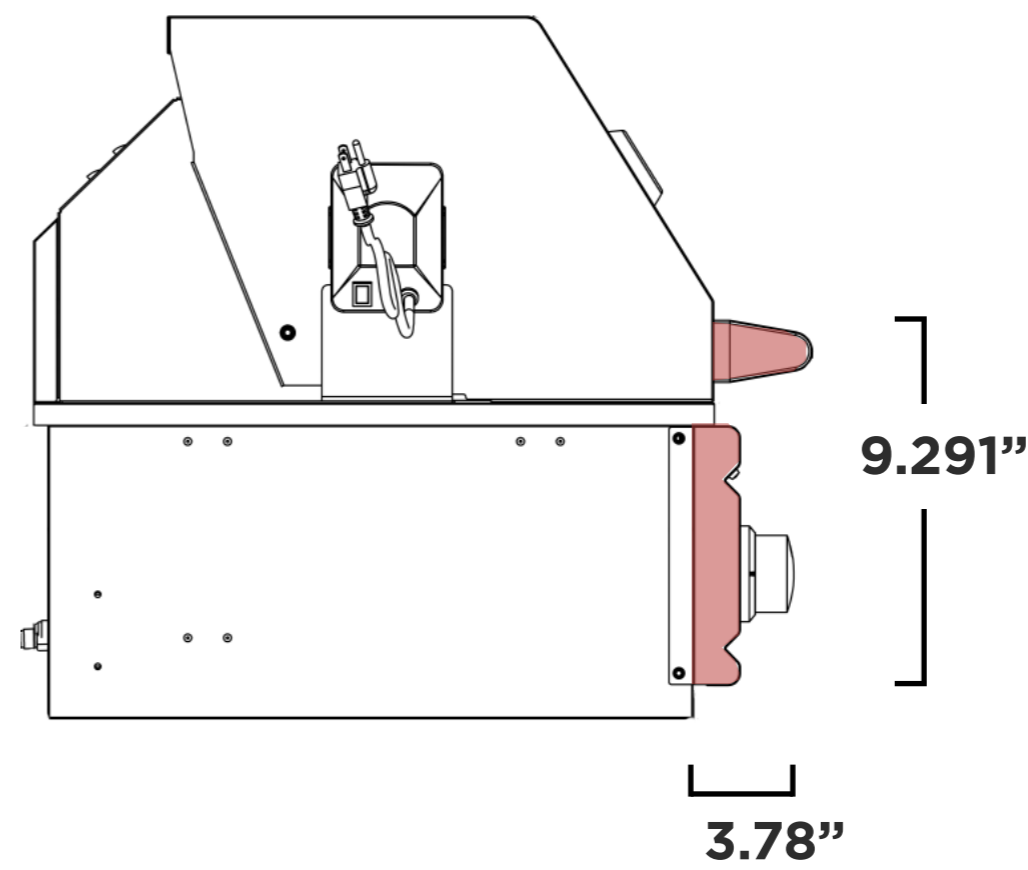
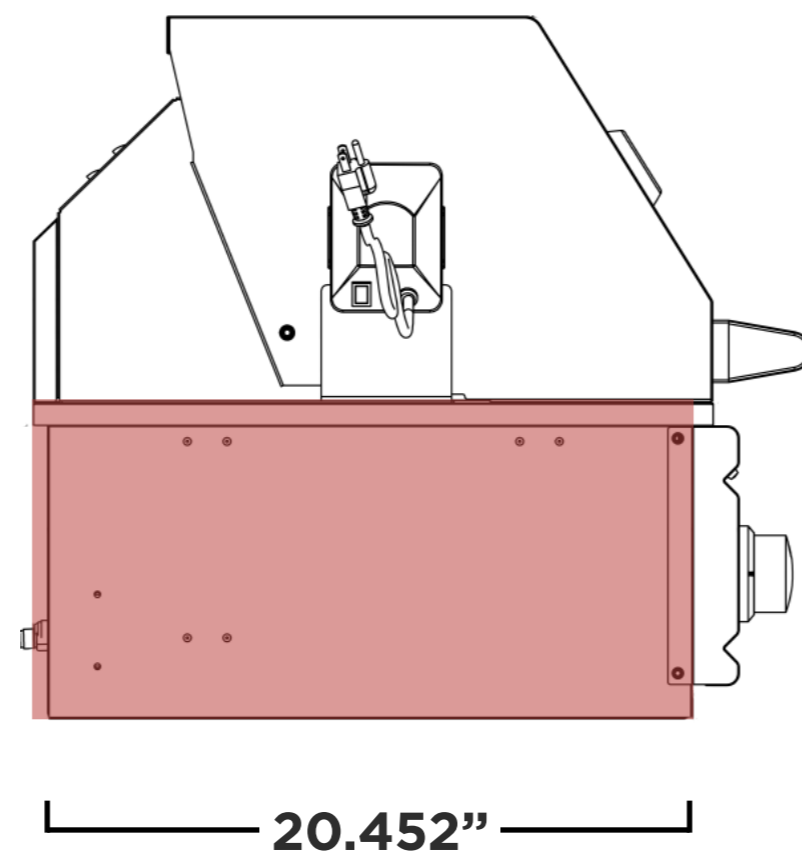
**Front**



**Rear**



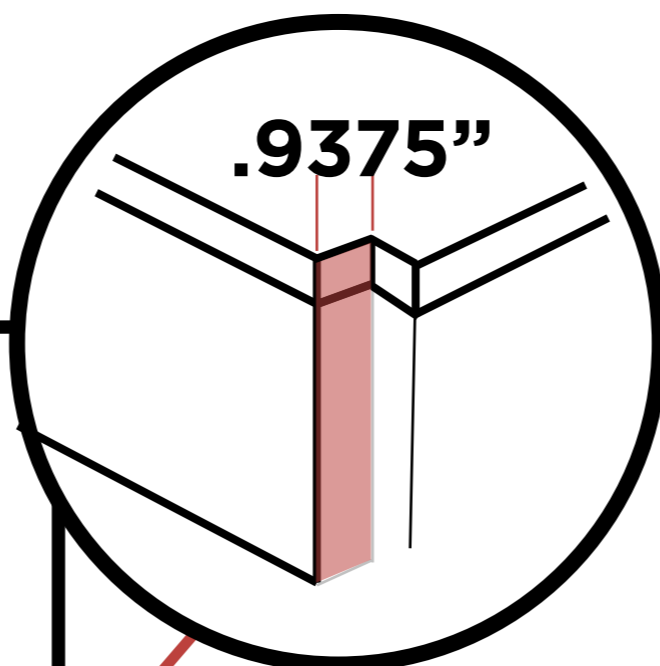
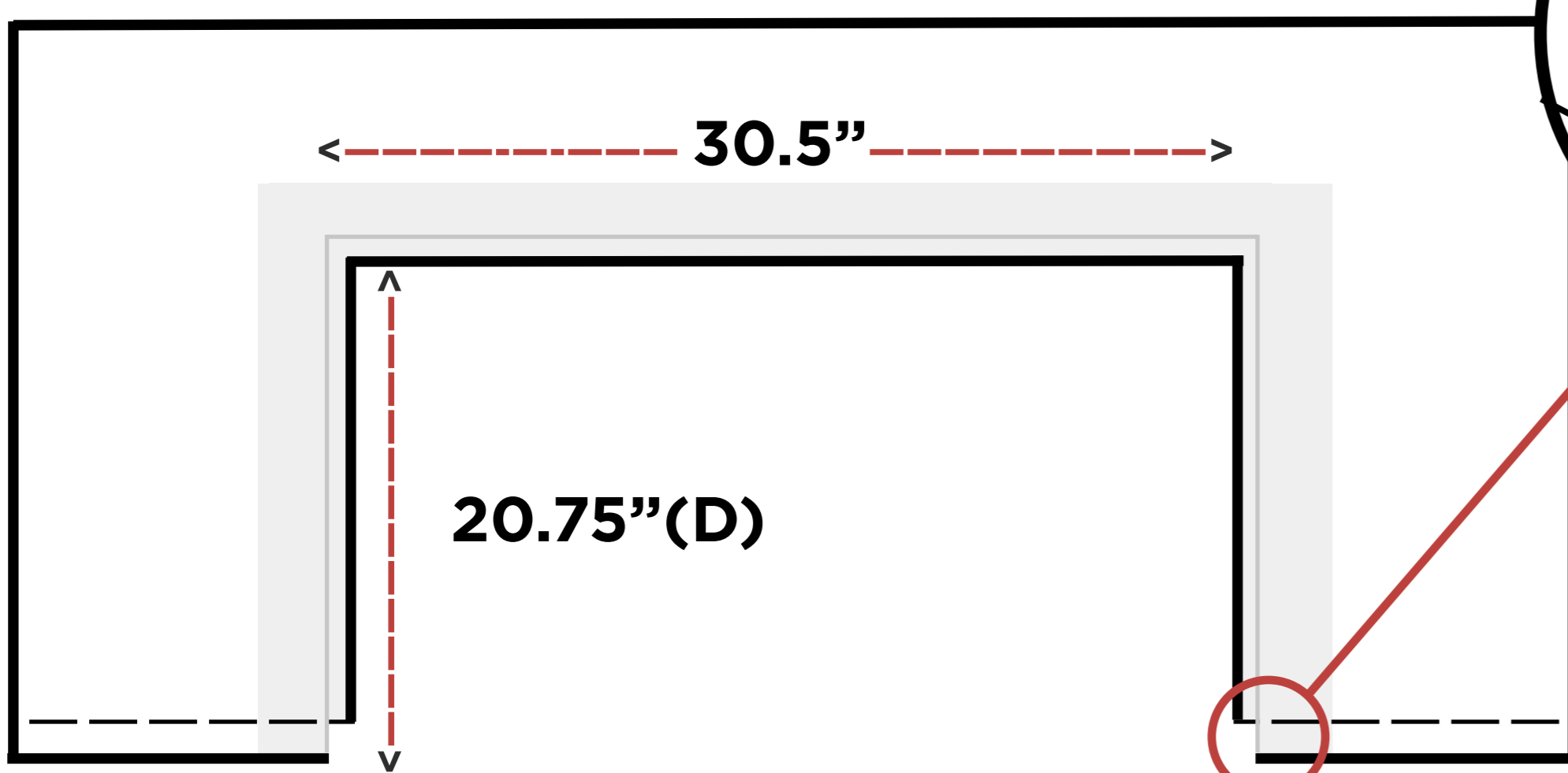
**Side**



**NOTES**

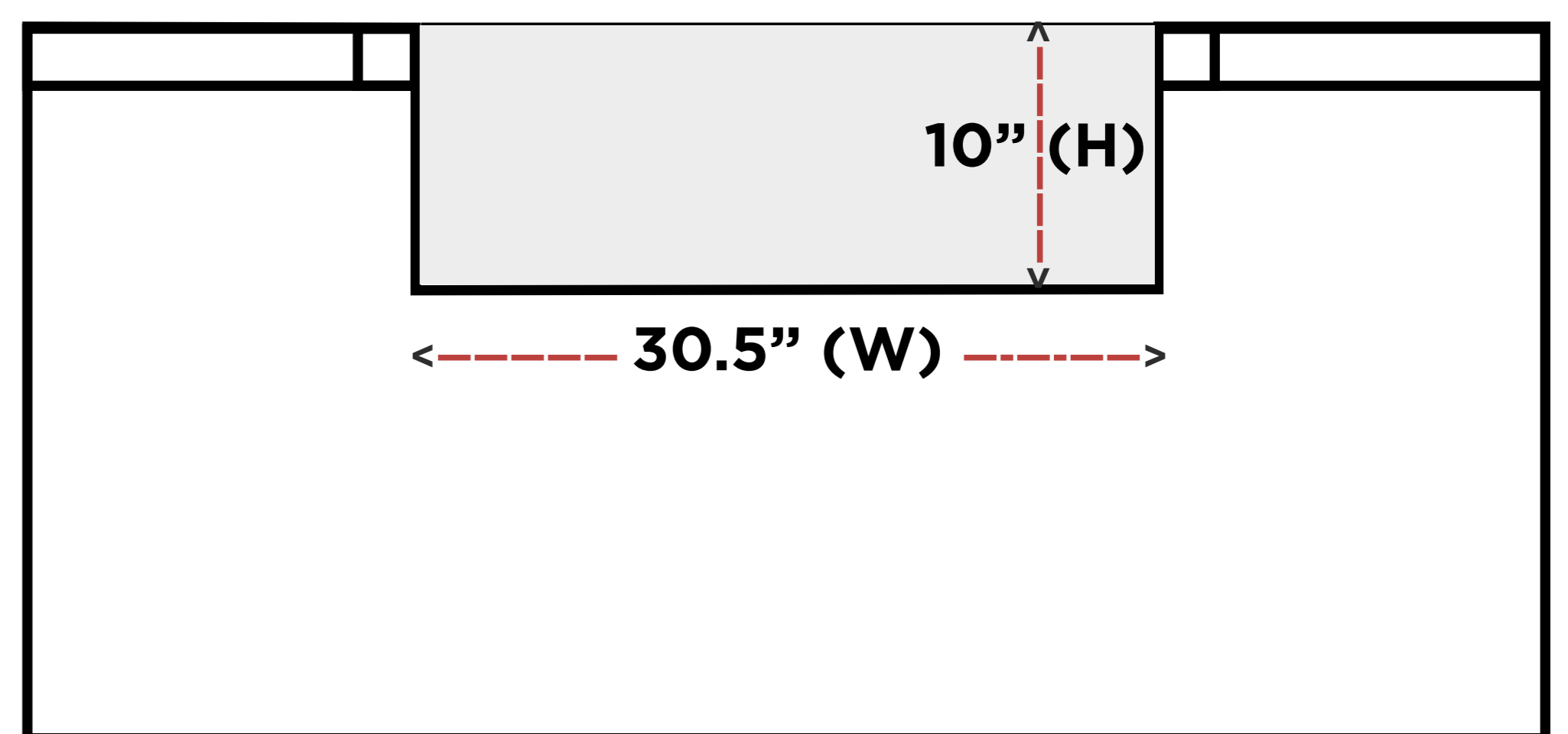
**Cutout Dimensions \*\***  
30.5"W x 10"H x 20.75"D

**Island Top View**



Countertop Notch  
Cutout Dimension

**Island Front View**



**Manufacturer Suggested Cutout Dimensions (\*\*)**