



SUMMERSET

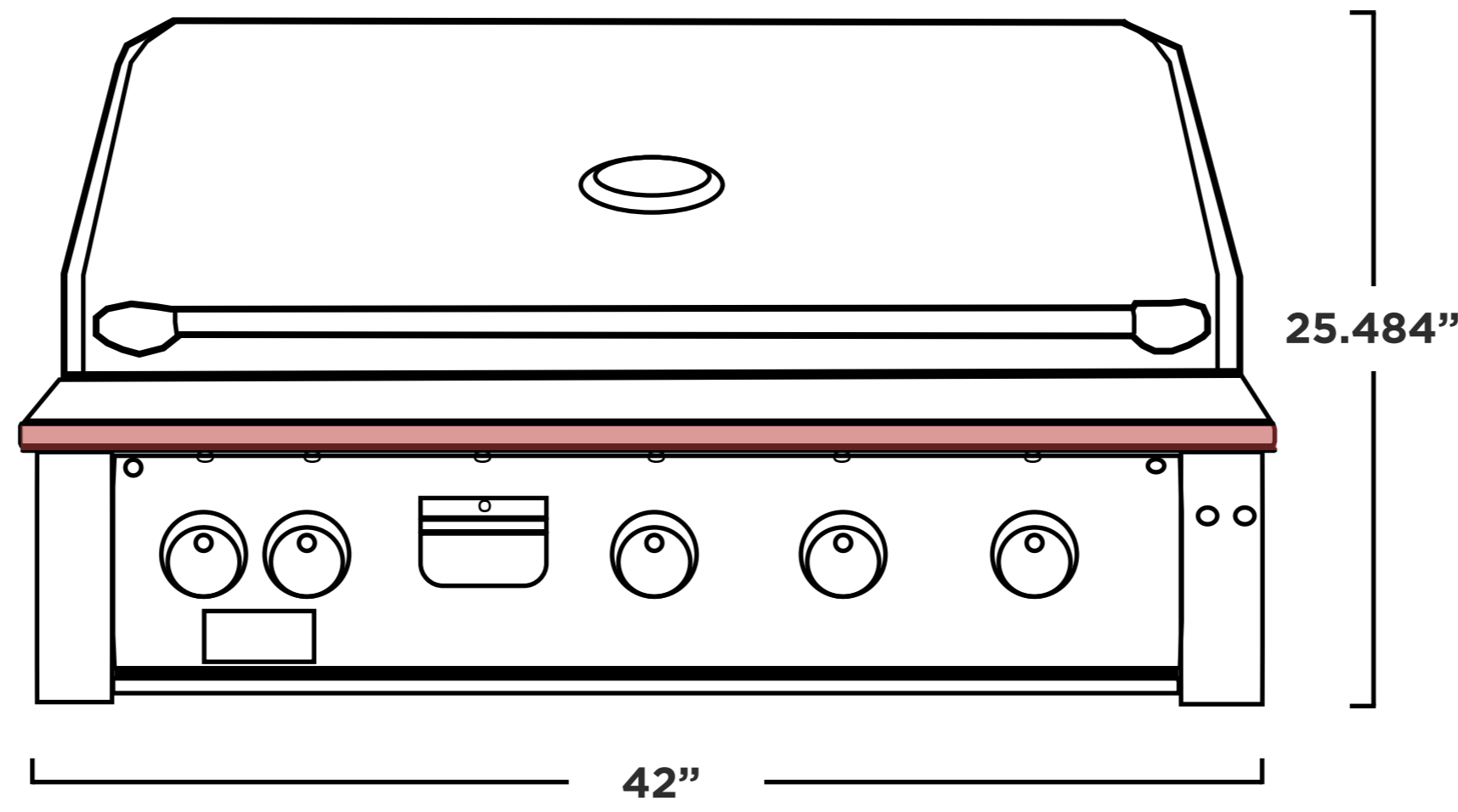
PROFESSIONAL GRILLS

42" - Alturi

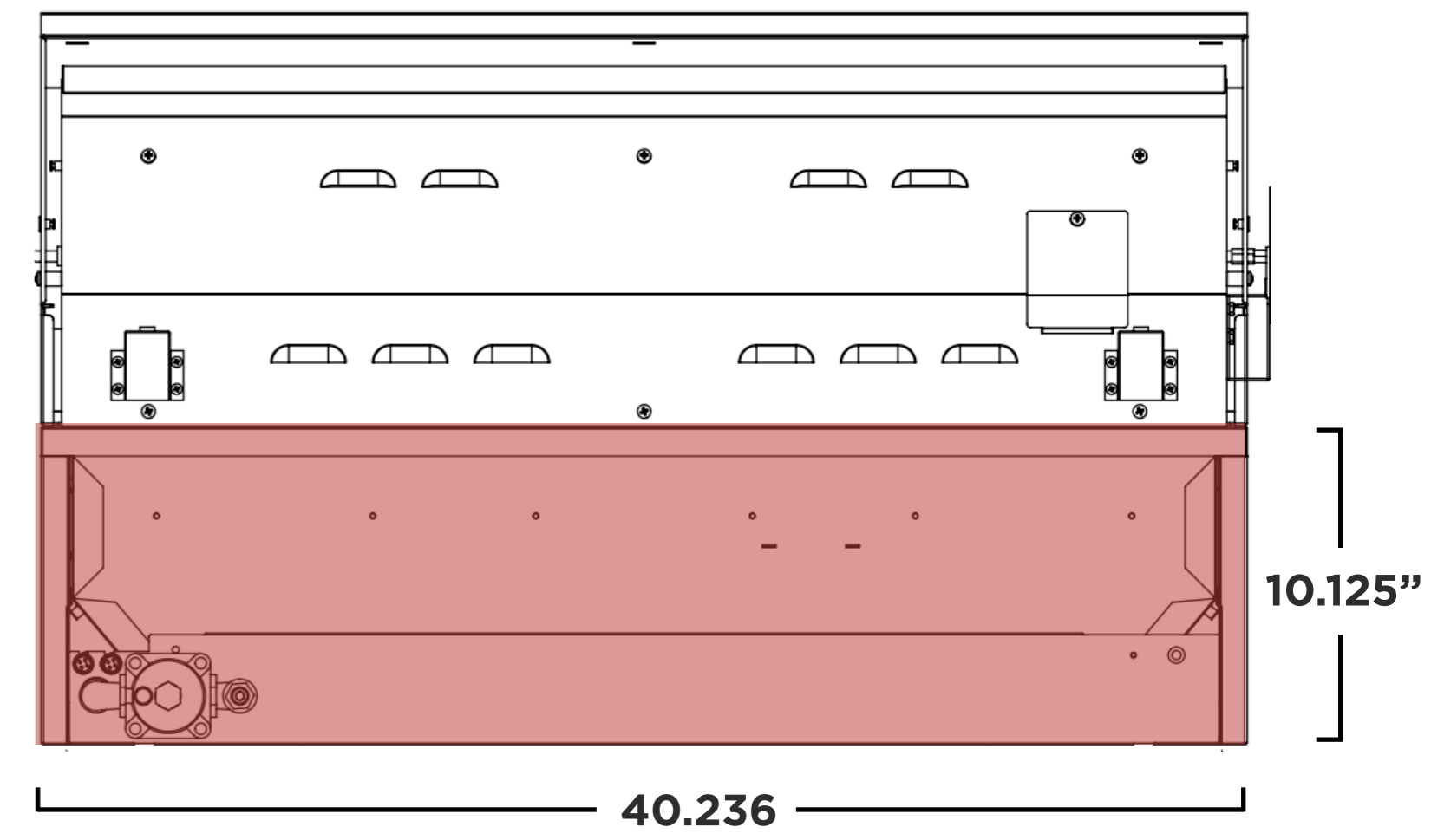
Model	ALT42
Cutout Dimensions**	40.5"W x 10.1875"H x 23.0625"D
Actual Dimensions	42"W x 25.484"H x 26.649"D
Material	#304 Stainless Steel
Burner Count	3 Main Burner
Total BTU	100,000 BTU
Total Cooking Surface	1,220 sq. in.
Electical Supply	120 VAC, 60 HZ - Input 12 VAC, 5000 mA, 60W - Output
Gas Inlet NG	3/8" NPT Female Regulator
Gas Inlet LP	3/8" NPT Male Fitting
Power Cord Length	13 ft. : 77" Power Cord + 80" Trans Wire

NOTES

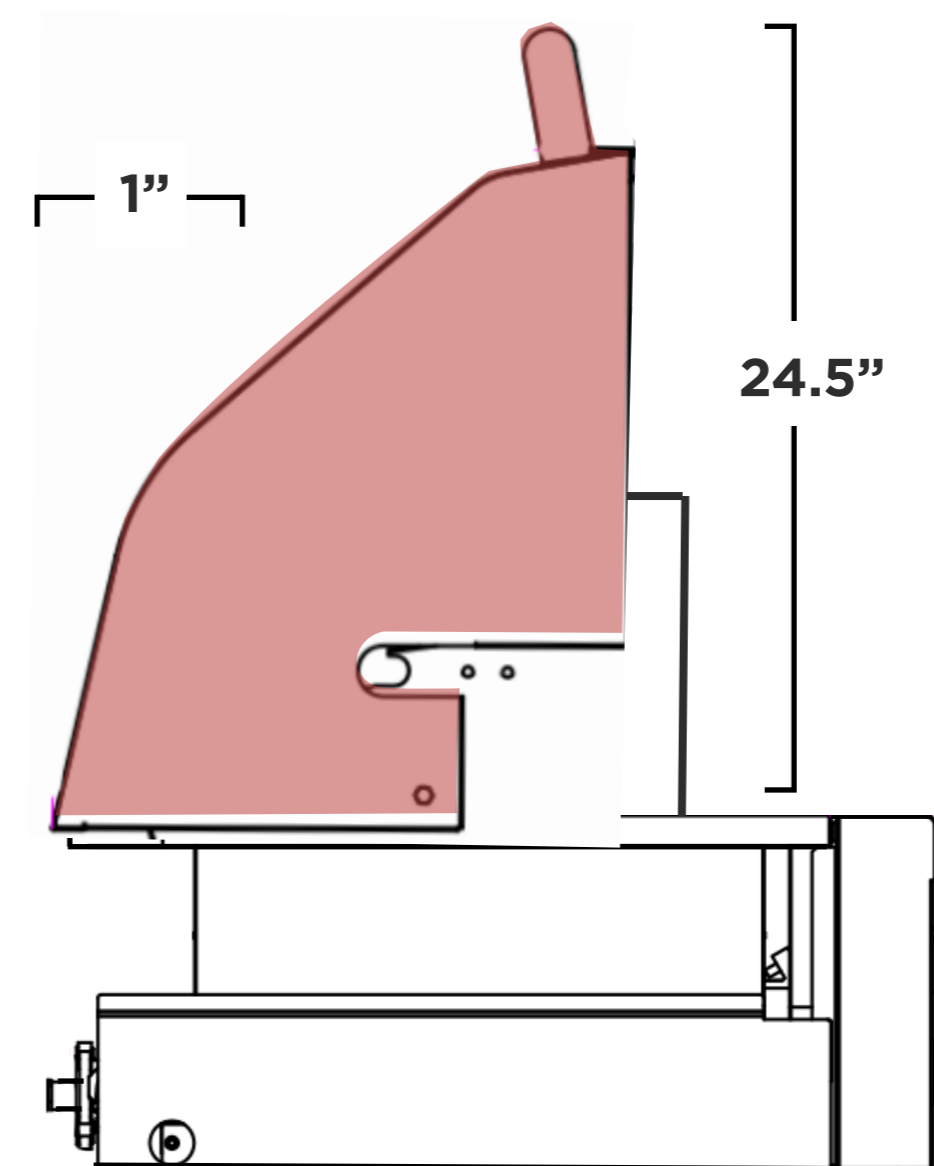
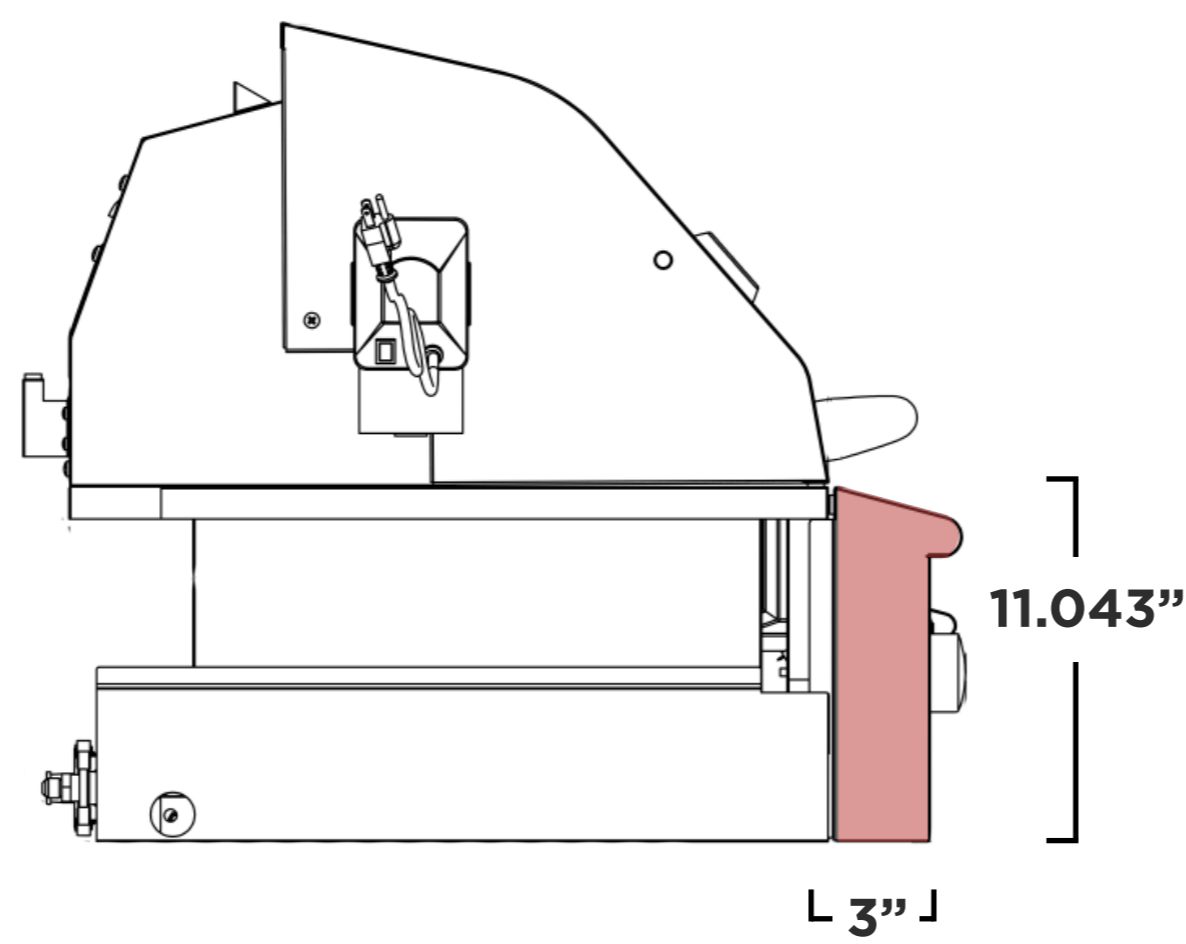
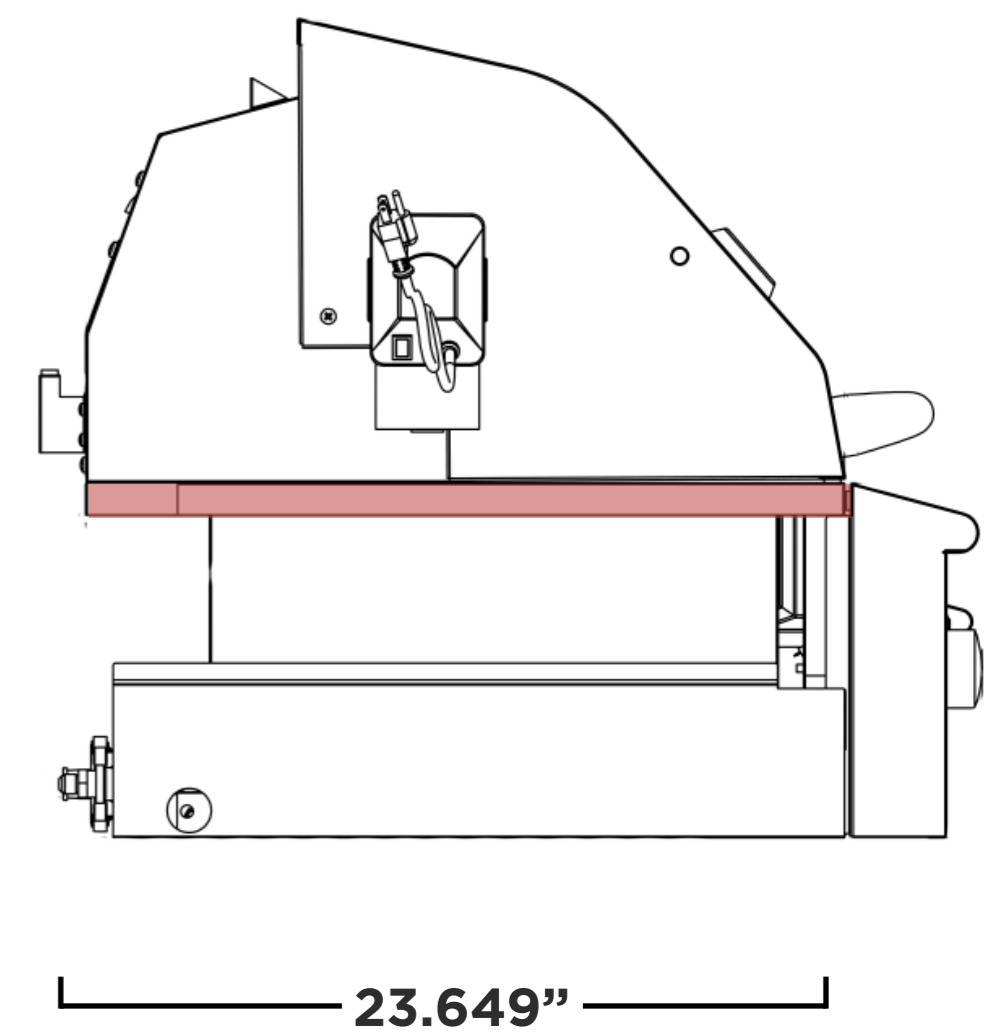
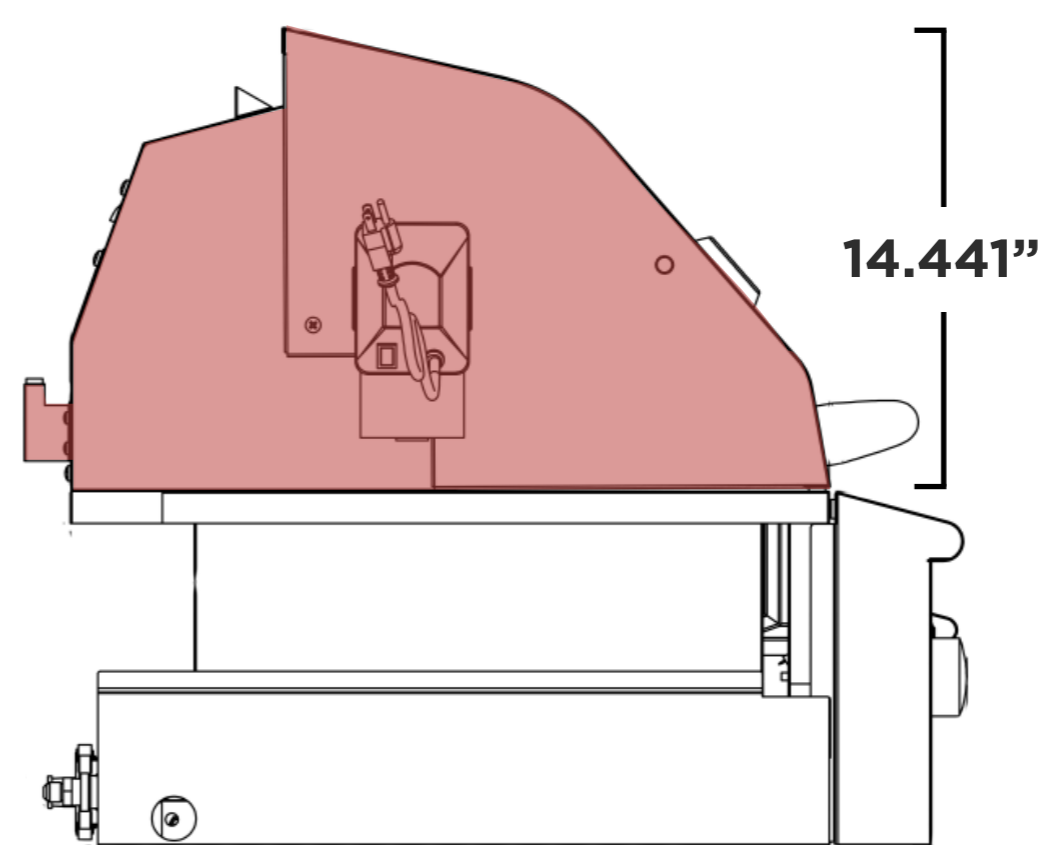
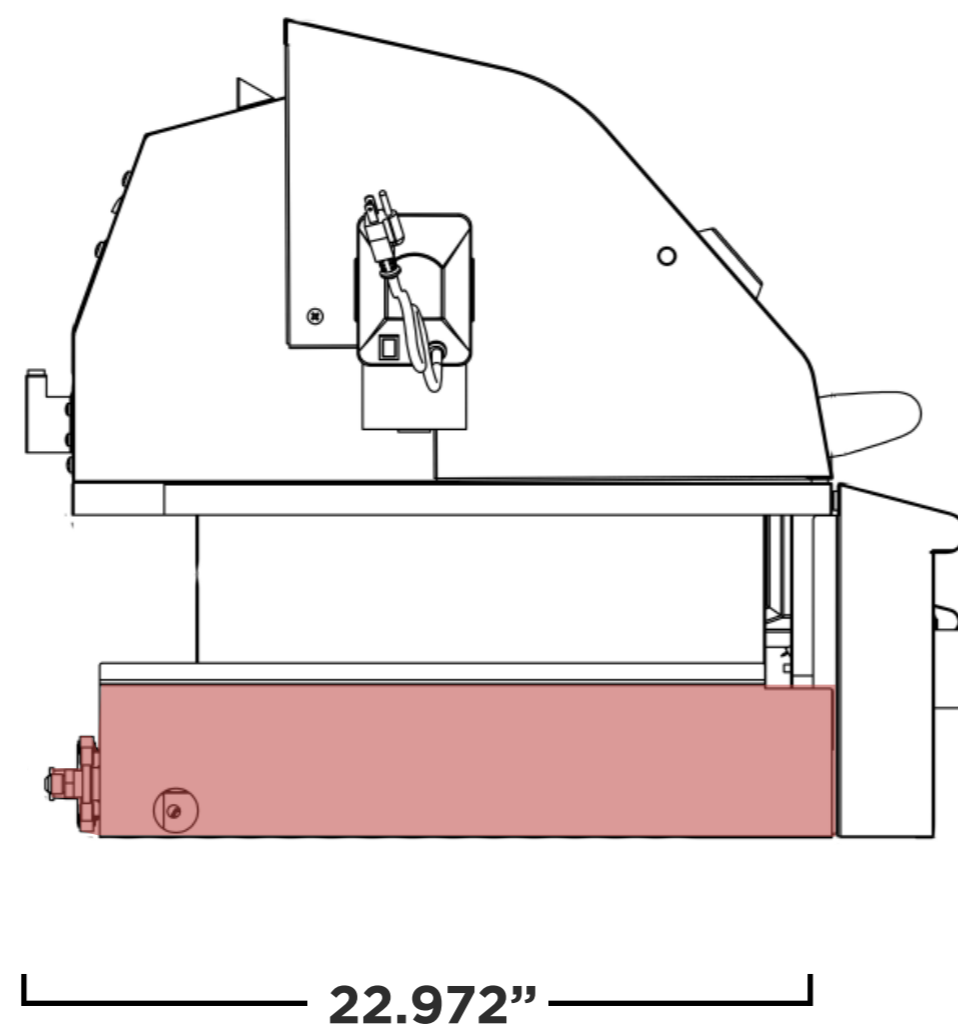
Front



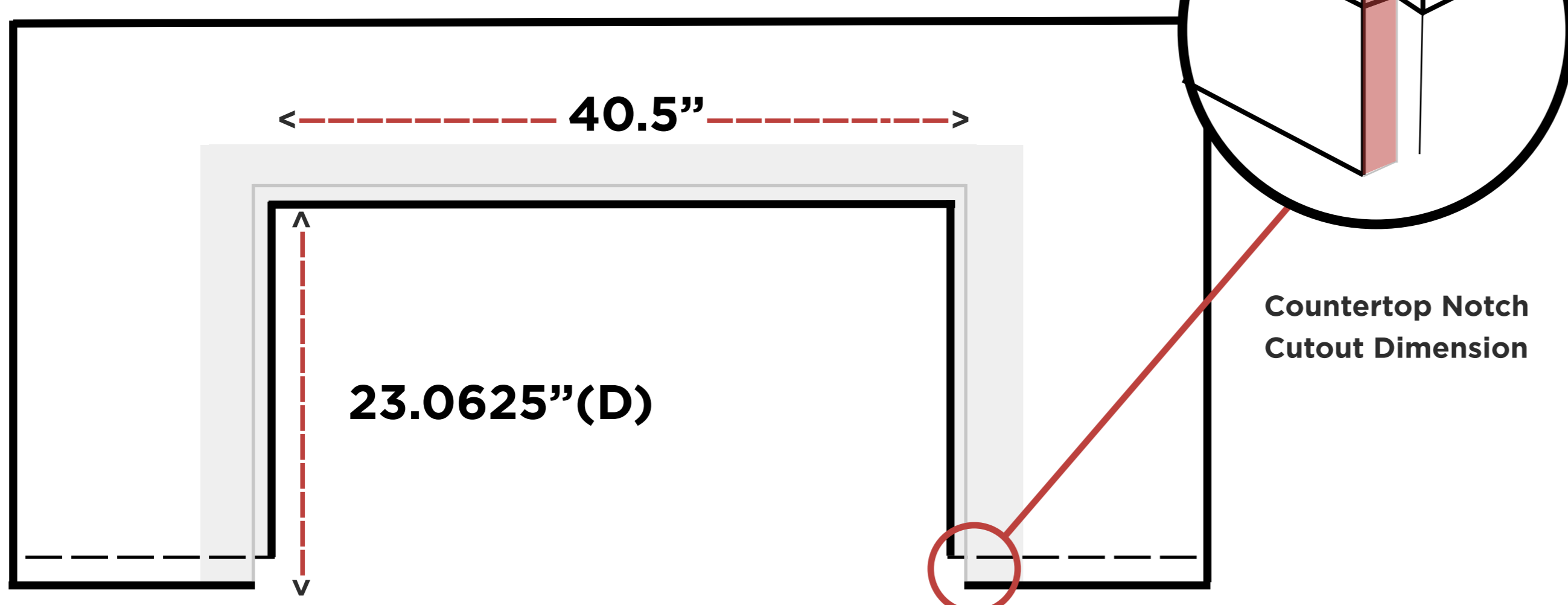
Rear



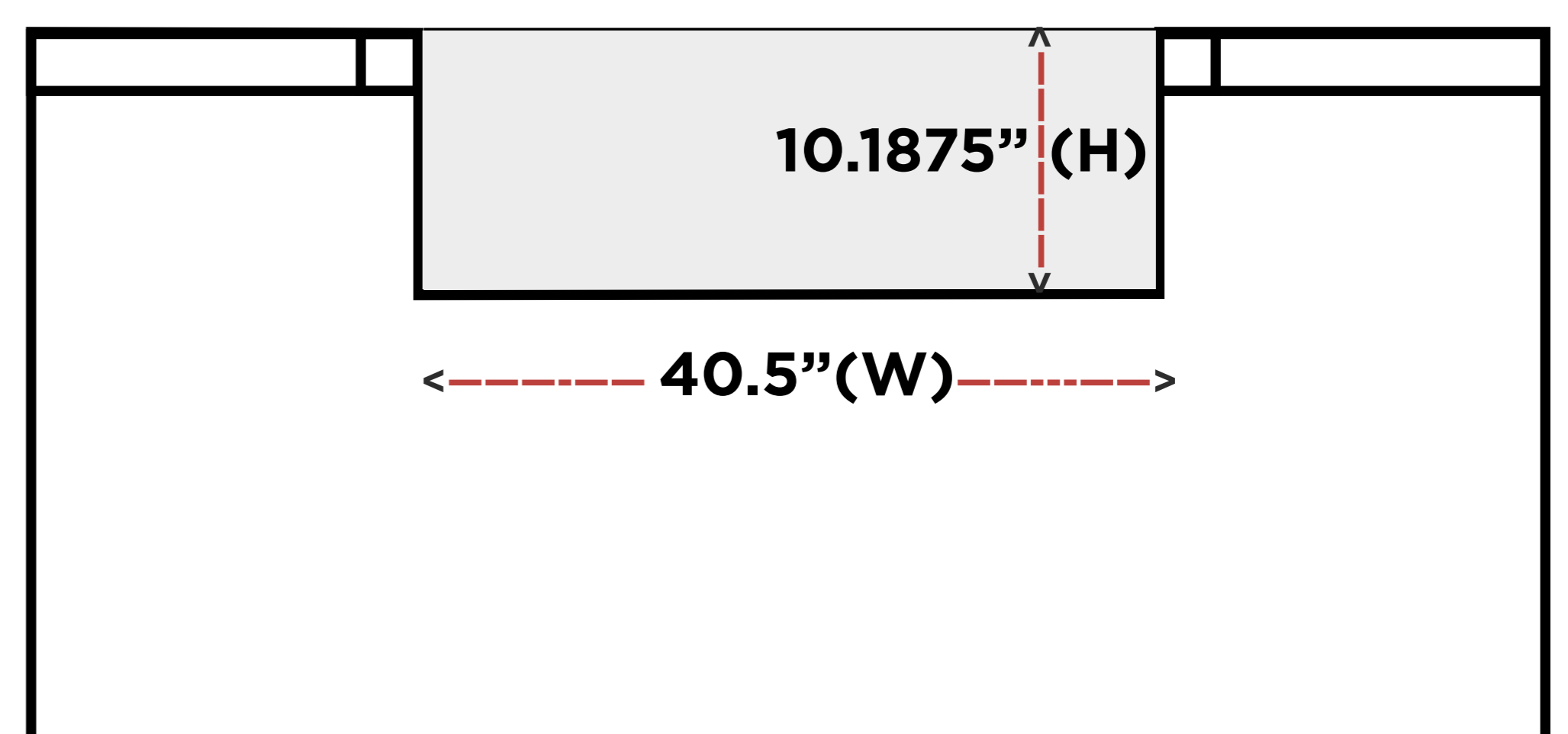
Side



Island Top View



Island Front View



Cutout Dimensions **
40.5"W x 10.1875"H x 23.0625"D

Manufacturer Suggested Cutout Dimensions (**)