

# Installation Instructions



Model Number HBZDV4224, HBZDV4228, HBZDV4232

Stock #'s: HBZDV4224N, HBZDV4224LP are  
Certified to: ANSI Z21.50-2014 • CSA 2.22-2014  
ZERO CLEARANCE VENTED GAS FIREPLACE

Stock #'s: HBZDV4228N, HBZDV4228LP, HBZDV4232N and HBZDV4232LP are  
Certified to: ANSI Z21.88-2014 • CSA 2.33-2014  
ZERO CLEARANCE VENTED GAS FIREPLACE HEATER

## WARNING:

### FIRE OR EXPLOSION HAZARD

Failure to follow safety warnings exactly could result in serious injury, death, or property damage.

- Do not store or use gasoline or other flammable vapors and liquids in the vicinity of this or any other appliance.
- WHAT TO DO IF YOU SMELL GAS
  - Do not try to light any appliance.
  - Do not touch any electrical switch; do not use any phone in your building.
  - Leave the building immediately.
  - Immediately call your gas supplier from a neighbor's phone. Follow the gas supplier's instructions.
  - If you cannot reach your gas supplier, call the fire department.
- Installation and service must be performed by a qualified installer, service agency or the gas supplier.

This appliance may be installed in an aftermarket, permanently located, manufactured home (USA only) or mobile home, where not prohibited by local codes.

This appliance is only for use with the type of gas indicated on the rating plate. This appliance is not convertible for use with other gases, unless a certified kit is used.

**For Propane Horizontal installations the venting must be a minimum of one foot vertical off the flue before going horizontal.**

**INSTALLER: Leave this manual with the appliance.**

**CONSUMER: Retain this manual for future reference.**



## DANGER



**HOT GLASS WILL  
CAUSE BURNS.**

**DO NOT TOUCH GLASS  
UNTIL COOLED.**

**NEVER ALLOW CHILDREN  
TO TOUCH GLASS.**

A barrier designed to reduce the risk of burns from the hot viewing glass is provided with this appliance and shall be installed for the protection of children and other at-risk individuals.



A Division of R-Co. Inc.  
2340 Logan Avenue  
Winnipeg, Manitoba, Canada R2R 2V3  
Ph: (204) 632-1962  
Printed in Canada June 21, 2018  
Part # 42HB-MAN14

## Pre-installation Questions and Answers

### About curing of the paint

Your stove or fireplace has been painted with the highest quality silicone stove paint. This paint dries quickly in 15-20 minutes when first applied at the factory. However, due to the high temperature silicone components, the paint will cure when heat is applied to the appliance as it is first used. The following information applies to the curing process to get the paint fully hard and durable.

Fire the appliance four successive times for 10 minutes each firing and a 5 minute cool down between each. Be aware during log and firebox paint curing that a white deposit may be developing on the inside of the glass doors. It is important to remove this white deposit from the glass doors using a commercial fireplace glass cleaner.

- Babies, small children, pregnant women and pets should leave the area during the cure phase.
- Ventilate well, open doors and windows.
- Do not touch during curing.

### Why does my fireplace or stove give off odour?

It is normal for your fireplace to give off some odour. This is due to the curing of the paint, adhesives, silicones and any undetected oil from the manufacturing process as well as the finishing materials used with the installations (e.g. marble, tile and the adhesives used to adhere this product to the walls can react with heat and cause odours).

It is recommended that you burn your gas fireplace or stove for a minimum of four hours at a time with the fan off after the curing of the paint has been completed. These odours can last upward to 40 hours of burn time; keep burning at a minimum of four hours per use until odours dissipate.

### Noise coming from the fireplace?

Noise is caused by the expansion and contraction of metal as the appliance heats up and cools down. This is normal and is similar to the sounds produced by a furnace or heating duct. This noise does not affect the operation or longevity of your fireplace.

## Operating Instructions

1. Be sure to read and understand all the instructions in this manual before operation of appliance.
2. Ensure all wiring is correct and properly enclosed to prevent possible shock.
3. Check for gas leaks.
4. Make sure the glass door is properly installed before operation. Never operate the appliance with the glass door removed.
5. Make sure venting and termination cap are installed and unobstructed.
6. If brick or porcelain liners are used, ensure they are installed.
7. Verify that the pilot can be seen when lighting the appliance. If not, the log or rock placement is incorrect.
8. If the unit is turned off, you must wait a minimum of 60 seconds before re-lighting it.

# 42HB Table of Contents

Pre-installation Questions and Answers..	2	Installing Log Set C-60.....	32
Operating Instructions.....	2	Gas Line Installation and Gas Specifications.....	33
Table of Contents.....	3	Millivolt System, Lighting, & Burner Control.....	34
Safety Screen Installation.....	4	Burner System Maintenance.....	35
Mobile Home/Manufactured Housing Installation.....	5	Conversion Kit Instructions – PART A.....	36
Warnings, Installations, and Operations..	6-7	Gas Conversion Kit For Top Convertible Pilot PART B.....	37
Installation Requirements for the Commonwealth of Massachusetts.....	7	Gas Conversion for Modulator – PART C.....	38
Locating your Appliance.....	8	<b>Proflame 1</b>	
Fireplace Dimensions.....	8	IPI Electronic Ignition System.....	39-43
Framing for your Gas Fireplace.....	9	IPI Lighting Instructions.....	44
HBZDV42CVCK.....	10-11	<b>Proflame 2</b>	
HB42SBL Surrounds.....	12	Proflame 2- Parts List- Basic System, Parts List, Configuration GTMFL.....	45
Clearances – HBZDV42 Mantels.....	13	Proflame 2 Remote Control.....	46
Mantel Leg Clearances.....	14	Cold Climates – CPI Setting - Proflame 2 Remote Control.....	47
Fan Installation.....	15	Proflame 2 Label Diagram.....	48
Removing Burner System / Access Cover.....	16	<b>Venting</b>	
Brick Installation.....	17	Vent Termination.....	49
Installation of HB Porcelain Liners – HB42PL.....	18	General Vent Installation Information.....	50
Door and Glass Information.....	19	Installation Of Side Wall Venting.....	50
Appliance/Log Reference Chart/Log Placement.....	19	Venting Table.....	51
LOG C42 / C43 for HBZDV4224 / HBZDV4228.....	20-21	Vertical Venting.....	52
LOG C44 for HBZDV4224 / HBZDV4228.....	22-24	Glass Safety / Termination Cap Safety- All Units.....	53
MQLOGC45 for HBZDV3624 / 3628 / 4224 / 4228.....	25-26	Approved for Power Vent PVH58.....	54
MQRSP3 with Pilot Shield.....	27	PVH58 Power Vent Parts List.....	55
MQRSP3 Rock Platform Assembly.....	28	Parts List .....	56-57
Pilot Shield RSP1 / RSP2.....	29	Trouble Shooting The Gas Control System.....	58
MQROCK1/MQRSP3 for HBZDV4224/28.....	30-31	Warranty.....	59

## Safety Screen Installation Z Series

### Contents of Kit:

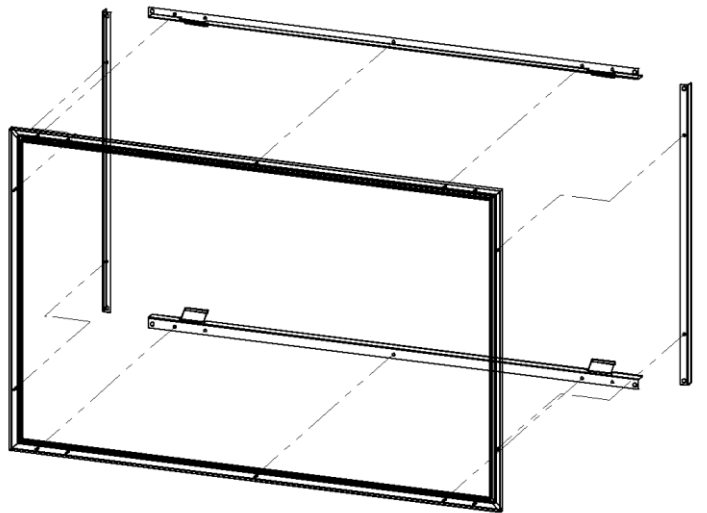
- [1] Safety Screen
- [2] Side Angles
- [2] Horizontal Angles
- [12-16] DT Screws (Depending on screen size)

**Assembly: Attach components with supplied screws as shown.**

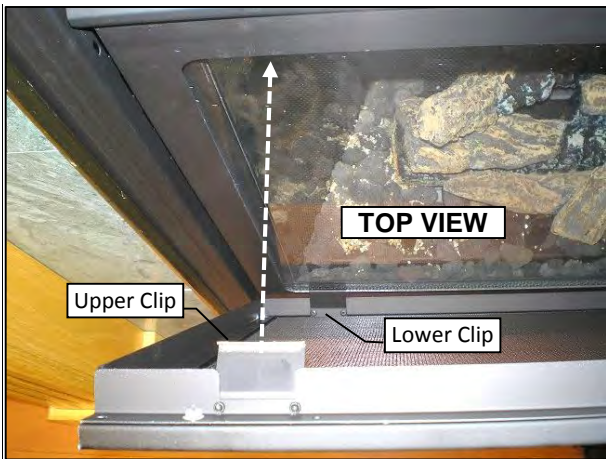
**NOTE: Screens are symmetrical from top to bottom.**

### **⚠ WARNING:**

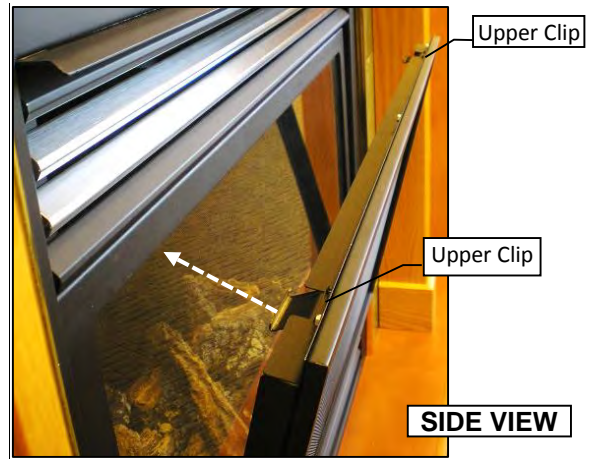
**Wait until unit is COMPLETELY cool before touching glass or attempting to install or remove Child Safety Screens.**



Screen with Side & Horizontal Angles



Hook Lower Clip onto glass door frame.

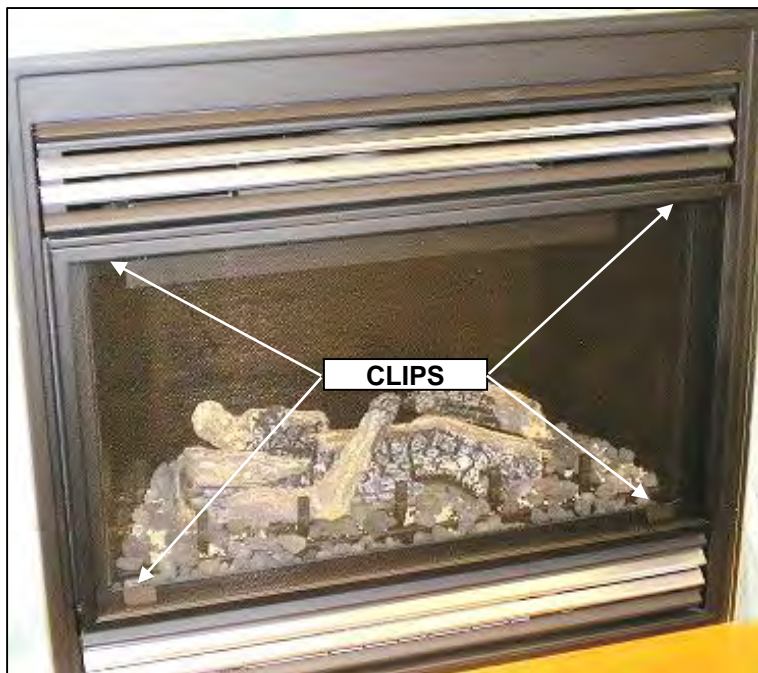


Press down and push upper clip under top glass door frame.

### **To install screens**

hook bottom clip onto glass door frame, then press down and push upper clip under top glass door frame, then release. Clip will hook onto frame.

**Fireplace with Screen**

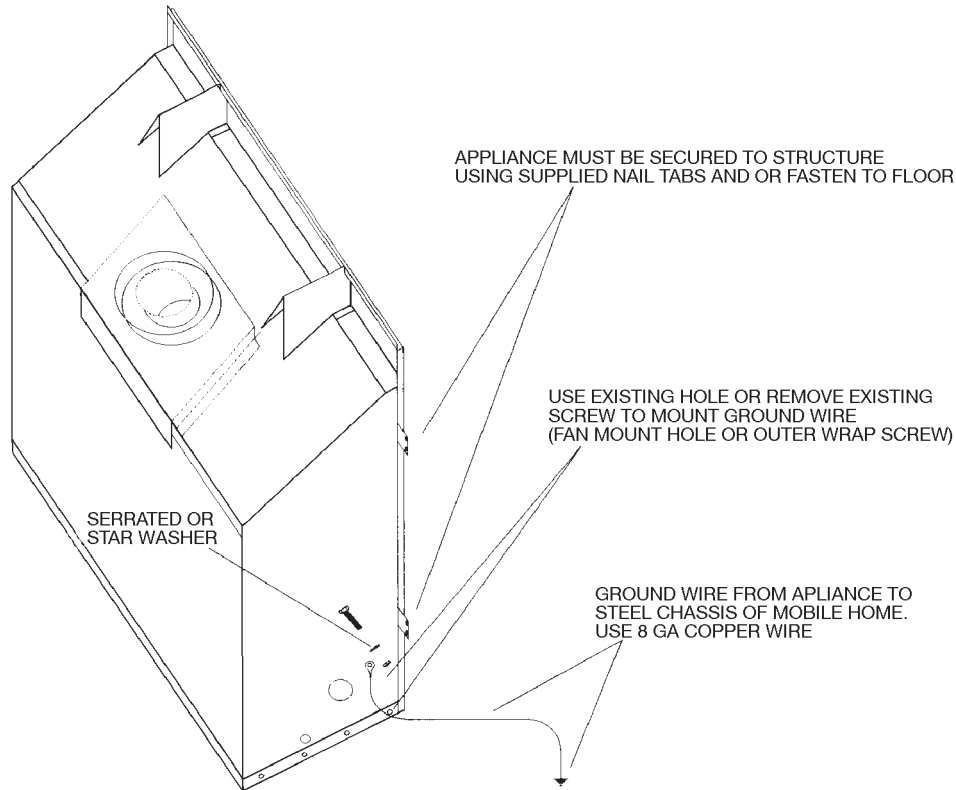


**To remove  
Safety  
Screens**  
**WAIT UNTIL  
FIREPLACE IS  
COMPLETELY  
COOL.**

Press down on upper clips and remove screen from fireplace glass door.

## Mobile Home/Manufactured Housing Installation

This Direct Vent System Appliance must be installed in accordance with the manufacturer's installation instructions and the Manufactured Home Construction and Safety Standard Title 24 CFR, Part 3280, or the current Standard for Fire Safety Criteria for Manufactured Home Installations, Sites, and Communities ANSI/NFPA 501A, and with CAN/CSA Z240 MH Mobile Home Standard in Canada.



**THE HBZDV4228N, HBZDV4228LP, HBZDV4232N and HBZDV4232LP MAY BE INSTALLED IN MANUFACTURED (MOBILE) HOMES AFTER FIRST SALE IN THE USA. IN CANADA THE HBZDV4228N, HBZDV4228LP, HBZDV4232N AND HBZDV4232LP MAY BE INSTALLED IN MANUFACTURED (MOBILE) HOMES.**

Please follow the current ANSI/NFPA 70 National Electrical Code in the USA and CAN/CSA C22.1 Canadian National Electrical Code in Canada.

An appliance must be grounded to the steel chassis of the home with 8 ga. copper wire using a serrated or star washer to penetrate paint or protective coating to insure grounding.

Use carriage bolt at the attachment point (see diagram above) to secure the appliance to the floor.



**Warning:** Do not compromise the structural integrity of the manufactured home wall, floor or ceiling, during installation of appliance or venting.

*For required venting components see venting installation in appropriate section of this manual.*

Certified for installation in a bedroom or bed/sitting room. In Canada must be installed with listed milli volt thermostat. In USA see local codes.

# Warnings, Installations and Operations

## Installation Regulations

This gas appliance must be installed by a qualified installer in accordance with local building codes, or in the absence of local codes, with the current CAN/CSA-B149.1 or .2 Installation Code (in Canada) or the current National Fuel Gas Code Z223.1- NFPA 54 when installed in the United States.

This appliance, when installed, must be electrically connected and grounded in accordance with local codes, or in the absence of local codes, with the current CSA C22.1 Canadian Electrical Code or with the National Electrical Code; ANSI/NFPA 70 when installed in the United States.

In the U.S.A. Thermostats are not permitted for Vented Gas Fireplaces (ANSI Z21.50b-Decorative).



# WARNING

## FOR SAFE INSTALLATION AND OPERATION OF YOUR GAS FIREPLACE PLEASE NOTE THE FOLLOWING:

1. Do not clean when the glass is hot.
2. Do not use abrasive cleaners.
3. Using a substitute glass will void all product warranties.
4. For safe operation, glass doors must be closed.
5. When purging the gas line, the glass front must be removed.
6. Do not strike or abuse glass. Take care to avoid breakage.
7. Do not alter gas orifice.
8. No substitute materials may be used other than factory supplied components.
9. This appliance gives off high temperatures and should be located out of heavy traffic areas and away from furniture and draperies.
10. Children and adults should be alerted to the hazards of the high surface temperatures of this appliance and should stay away to avoid burns or ignition of clothing.
11. Young children should be carefully supervised when they are in the same room as the appliance. Toddlers, young children and others may be susceptible to accidental contact burns. A physical barrier is recommended if there are at risk individuals in the house. To restrict access to a fireplace or stove, install an adjustable safety gate to keep toddlers, young children and other at risk individuals out of the room and away from hot surfaces.
12. Under no circumstances should any solid fuels (wood, paper) be used in this appliance.
13. Under no circumstances should this appliance be modified. Any parts that have to be removed for servicing should be replaced prior to operating this appliance.
14. Any safety screen, guard, or barrier removed for servicing an appliance must be replaced prior to operating the appliance.
15. Installation and repair should be done by a qualified service person. The appliance should be inspected before use and at least annually by a professional service person. More frequent cleaning may be required due to excessive lint from carpeting, bedding material, et cetera. It is imperative that control compartments, burners and circulating air passageways of the appliance be kept clean. Make sure that the gas valve and pilot light are turned off before you attempt to clean this unit.
16. Clothing or other flammable material should not be placed on or near the appliance. This appliance should not be used as a drying rack for clothing nor should Christmas stockings or decorations be hung from it.
17. Do not use this heater if any part has been under water. Immediately call a qualified service technician to inspect the heater and to replace any part of the control system and any gas control which has been under water.
18. Do not operate appliance unless completely installed as per installation instructions.
19. Failure to position the parts in accordance with these diagrams or failure to use only parts specifically approved with this appliance may result in property damage or personal injury.
20. **WARNING: Do not operate appliance with the glass front removed, cracked or broken. Replacement of the glass should be done by a licensed or qualified service person.**
21. The appliance area must be kept clear and free from combustible materials, gasoline, and other flammable vapors and liquids.
22. The front of the fireplace gives off high temperatures that could ignite combustible material which is kept close to the front of the unit.
23. Ensure that power to the Fireplace is turned off before servicing.
24. Do not operate this Fireplace without the glass front or with a broken glass.
25. Improper installation, adjustment, alteration, service or maintenance can cause injury or property damage. Refer to the owner's information manual provided with this appliance. For assistance or additional information consult a qualified installer, service agency, or the gas supplier.
26. Operation of this appliance when not connected to a properly installed and maintained venting system or tampering with the blocked vent shutoff system can result in carbon monoxide (CO) poisoning and possible death.
27. This appliance is equipped with a three-prong (grounding) plug for your protection against shock hazard and should be plugged directly into a properly grounded three-prong receptacle. Do not cut or remove the grounding prong from this plug.

**DANGER**

**HOT GLASS WILL CAUSE BURNS.**  
**DO NOT TOUCH GLASS UNTIL COOLED.**  
**NEVER ALLOW CHILDREN TO TOUCH GLASS.**

A barrier designed to reduce the risk of burns from the hot viewing glass is provided with this appliance and shall be installed for the protection of children and other at-risk individuals.

- Gas fired appliances may be used only for supplemental heat and/or decorative purposes and under no circumstances shall they provide a primary heat source.
- This appliance must not be connected to a chimney flue serving a separate solid-fuel burning appliance.

NOTE: It is recommended that a Carbon Monoxide (CO) Detector be installed in or near bedrooms and on all levels of your home. Place a detector about 15ft [4.5m] outside the room that houses your gas appliance.

**Certified for installation in a bedroom or bed/sitting room. In Canada must be installed with listed millivolt thermostat.**

**In the U.S.A. Thermostats are not permitted for Vented Gas Fireplaces (ANSI Z21.50b-Decorative).**

**In USA see local codes.**

## Operations and Maintenance Instructions

For safe installation and operation note the following:

- Venting systems should be periodically examined by a qualified agency.
- The flow of combustion and ventilation air must not be obstructed.
- The Burner/Log Assembly has been engineered and permanently adjusted for proper flame control.
- Periodically remove the logs from the grate assembly and vacuum any loose particles from the grate and burner areas. See Log Placement page to remove logs. Vacuum burner parts and replace logs.
- Never use your gas fireplace as a cooking device.
- Label all wires prior to disconnection when servicing controls. Wiring errors can cause improper and dangerous operation. Verify proper operation after servicing.

## Installation Requirements for the Commonwealth of Massachusetts

In the Commonwealth of Massachusetts, the installer or service agent shall be a plumber or gas fitter licensed by the Commonwealth. When installed in the Commonwealth of Massachusetts or where applicable codes; the unit shall be installed with a CO detector per the requirements listed below.

1. For direct-vent appliances, mechanical-vent heating appliances or domestic hot water equipment, where the bottom of the vent terminal and the air intake is installed below four feet above grade the following requirements must be satisfied:
  - A. If there is not one already present, on each floor level where there are bedroom(s), a carbon monoxide detector and alarm shall be placed in the living area outside the bedroom(s). The carbon monoxide detector shall comply with NFPA 720.
  - B. A carbon monoxide detector shall be located in the room that houses the appliance or equipment and shall:
    - Be powered by the same electrical circuit as the appliance or equipment such that only one service switch services both the appliance and the carbon monoxide detector;
    - Have battery back-up power;
    - Meet ANSI/UL 2034 Standards and comply with NFPA 720; and
    - Have been approved and listed by a Nationally Recognized Testing Laboratory as recognized under 527 CMR.
  - C. A Product-approved vent terminal must be used, and if applicable, a Product-approved air intake must be used. Installation shall be in strict compliance with the manufacturer's instructions. A copy of the installation instructions shall remain with the appliance or equipment at the completion of the installation.
  - D. A metal or plastic identification plate shall be mounted at the exterior of the building, four feet directly above the location of vent terminal. The plate shall be of sufficient size to be easily read from a distance of eight feet away, and read "Gas Vent Directly Below".
2. For direct-vent appliances, mechanical-vent heating appliances or domestic hot water equipment where the bottom of the vent terminal and the air intake is installed above four feet above grade the following requirements must be satisfied:
  - A. If there is not one already present, on each floor level where there are bedroom(s), a carbon monoxide detector and alarm shall be placed in the living area outside the bedroom(s). The carbon monoxide detector shall comply with NFPA 720.
  - B. A carbon monoxide detector shall:
    - Be located in the room that houses the appliance or equipment;
    - Be either hard-wired or battery powered or both; and
    - Shall comply with NFPA 720.

A Product-approved vent terminal must be used, and if applicable, a Product-approved air intake must be used. Installation shall be in strict compliance with the manufacturer instructions. A copy of the installation instructions shall remain with the appliance or equipment at the completion of the installation.

For the state of Massachusetts a **T-handle gas shut-off valve** must be used on a gas appliance. This T-handle gas shut-off valve must be listed and approved by the state of Massachusetts. This is in reference to the state of Massachusetts state code CMR238.

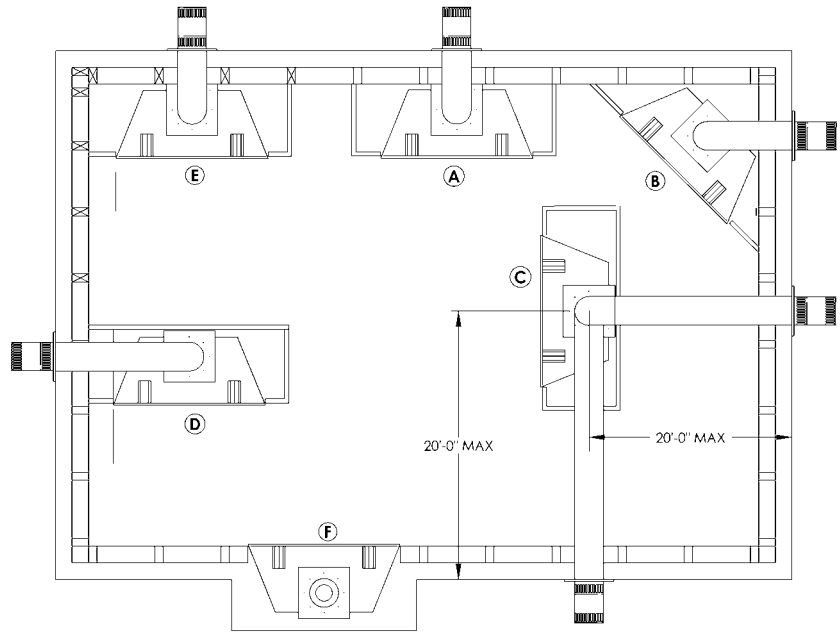
# Locating Your Appliance

## LOCATION KEY:

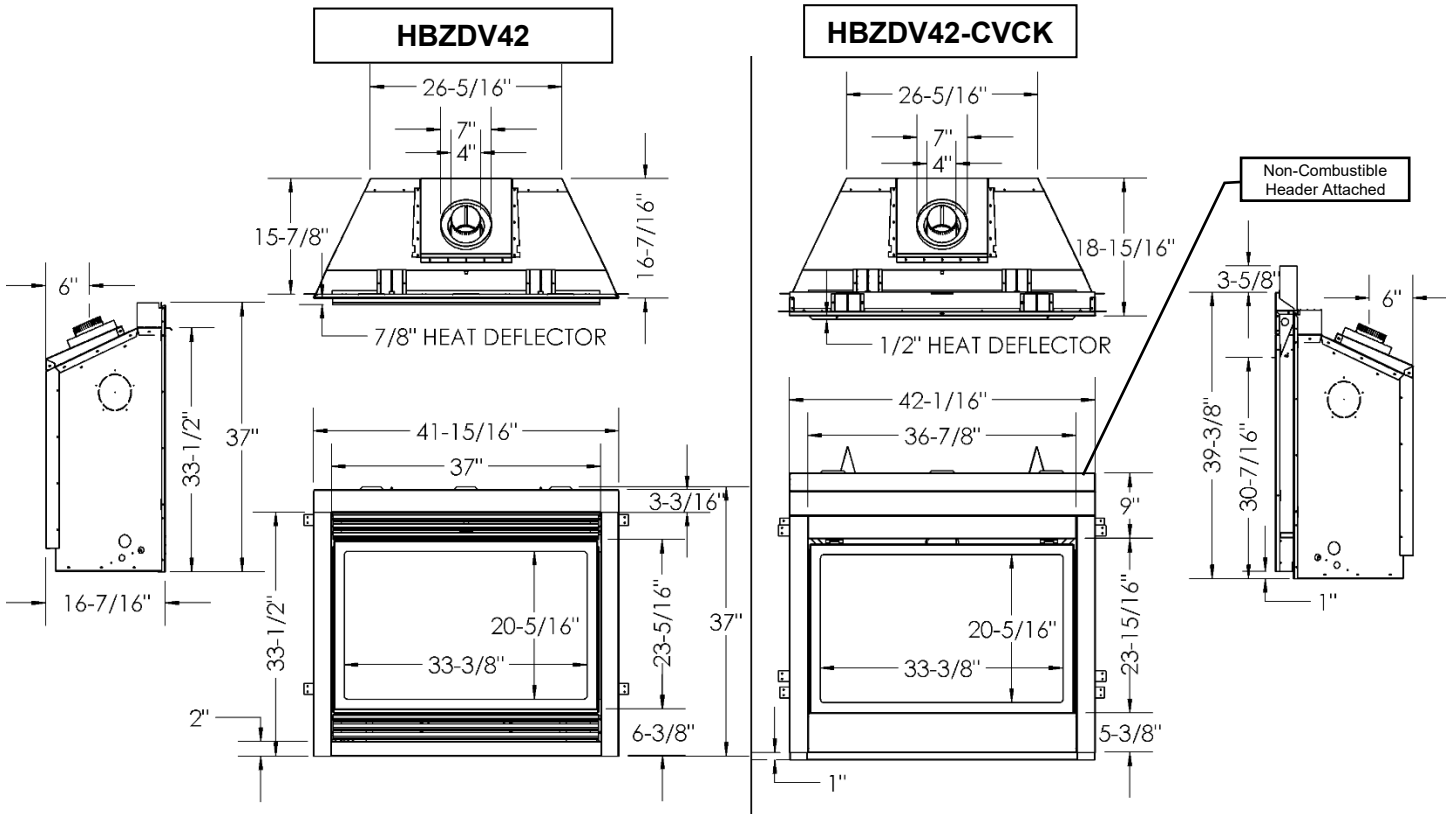
- A. Flat on Wall
- B. Across the Corner
- C. As an Island
- D. As a Room Divider
- E. Flat on Wall Corner
- F. Exterior Wall

See Mantel Leg Clearances Instruction for the proper placement of fireplace.

Island installation with a top vent is possible as long as the horizontal portion of the vent system does not exceed 20 feet (6.1 m).



# Fireplace Dimensions





# Framing for your Gas Fireplace

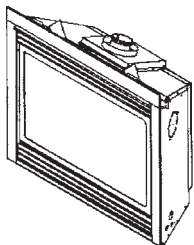
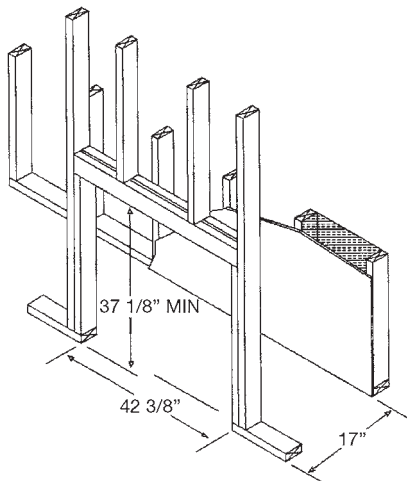
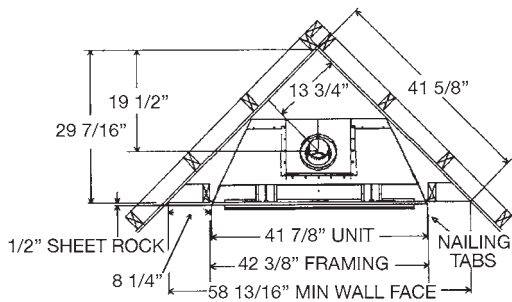
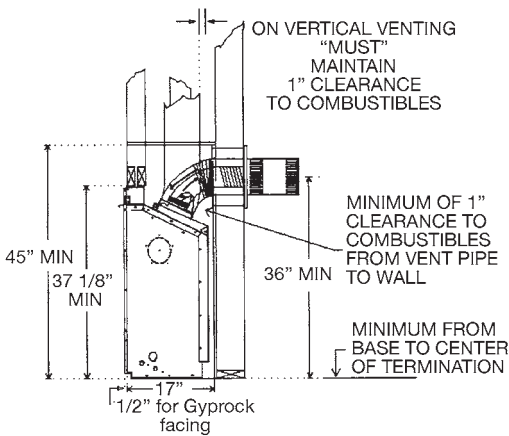
## Framing Specifications

1. Cold climate installation recommendation: When installing this fireplace against non insulated exterior wall or chase, it is recommended that the outer walls be insulated to conform to applicable insulation codes. Drywall must be installed over insulation to prevent contact of insulation and unit.
2. Choose fireplace location and frame in accordance with the fireplace framing dimensions specified (See Framing Diagrams). Bend nailing tabs forward on left and right of unit and place fireplace into framed enclosure. This allows for 1/2" in front of framing tabs for finishing materials.
3. Drywall or other material can extend flush with the appliance on the bottom, sides and top of fireplace. (louvered models only)

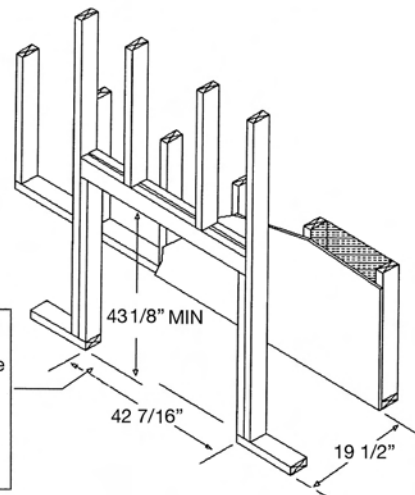
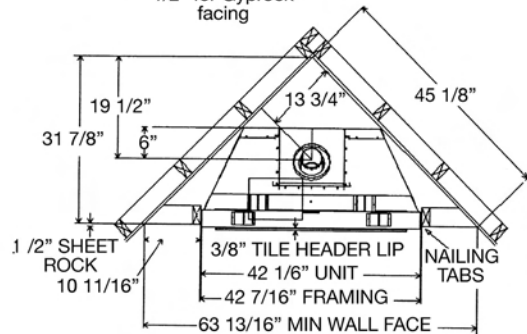
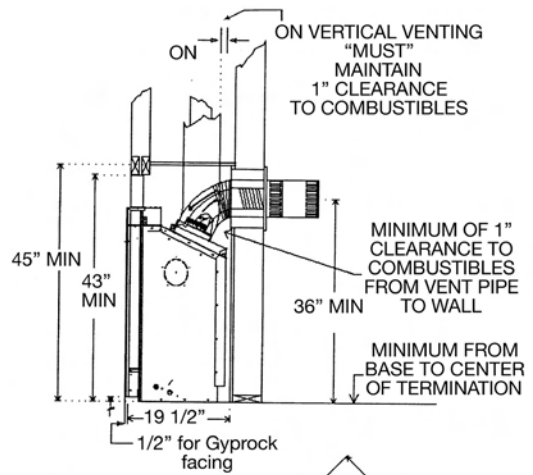
4. When installing horizontal with a 90 degree bend maintain a minimum of two and a half (2.5") inches above the bend in enclosures.
5. For HBZDV with louvers combustible floor can raise 1" above the bottom of the fireplace. For HBZDV with CVCK (Clean view Circulating Kit) floor or hearth can raise 7" above the bottom of the fireplace with portions being combustible and non combustible. See drawing Below.
6. When installing MQHB42SW surround, the fireplace must be raised a minimum of 3 1/2" above the finished floors, to accommodate the wall surround. The fireplace may be raised higher but the 60" clearance measured from the bottom of the fireplace to the ceiling must be maintained at all times. (i.e. For an 8 ft. ceiling the unit can be raised only 36 inches.)

For **Propane Horizontal Installations** the venting must be a minimum of one foot vertical off the flue before the elbow on any horizontal runs of one foot or greater. This allows for cleaner combustion and greatly reduces carboning and cleaning of glass.

### HBZDV42 louvered



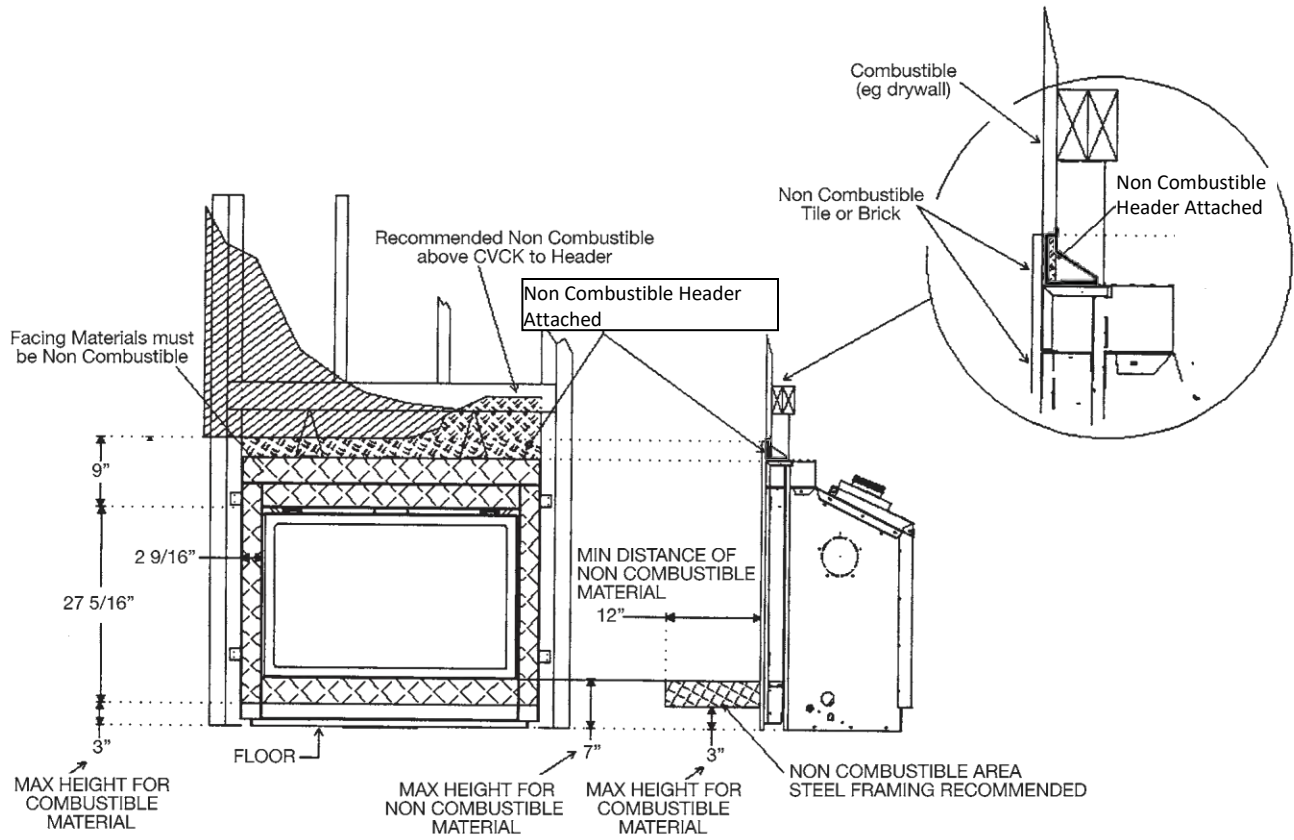
### HBZDV42 WITH CVCK (CLEAN VIEW CIRCULATING KIT)



NOTE: When adding a MQHB42SW wall surround, the fireplace must be raised a minimum of 3 1/2" above the finished floor to accommodate the wall surround. (See next page)

# HB42 - Framing and Facing Requirements

## HBZDV42 WITH HB42CVCK (CLEAN VIEW CIRCULATING KIT)

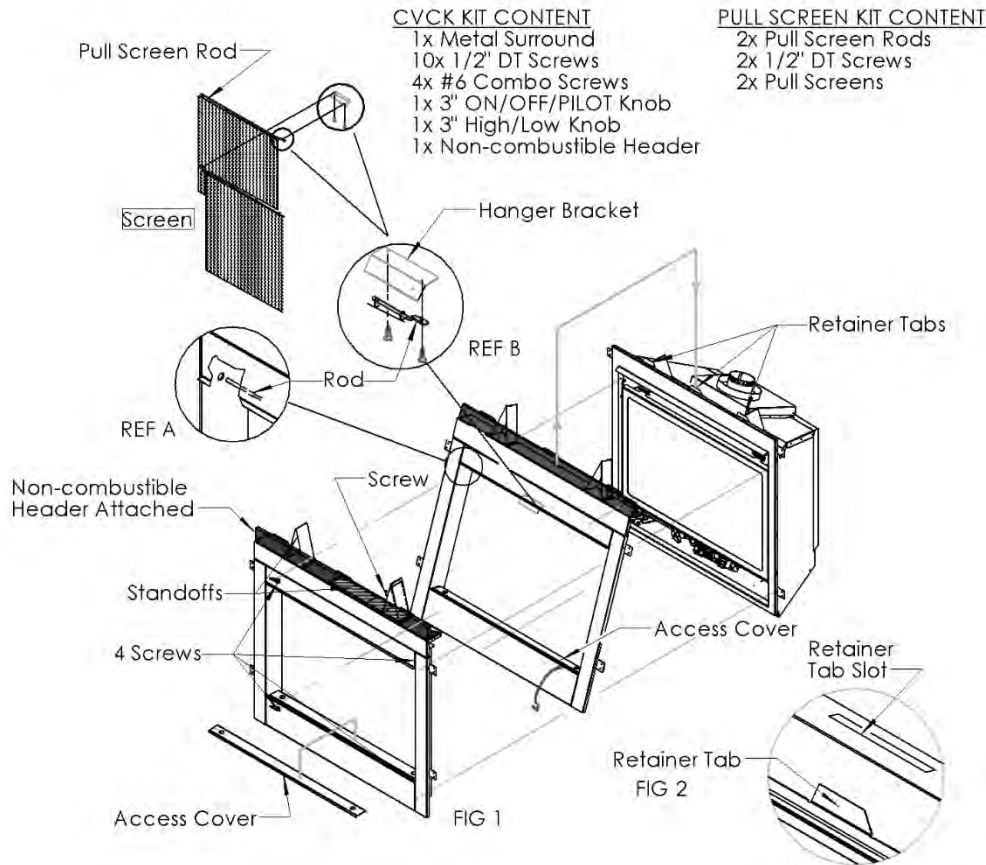


# HB42 - HOW TO INSTALL CLEAN VIEW KIT (CVCK)

**CAUTION:** When using CVCK DO NOT INSTALL a Louver assembly.

1. Install optional fan kit (see Fan Instruction).
2. Fold two standoffs up into position and mount with supplied screws. (FIG 1)
3. Hang CVCK on top of fireplace retainer tabs and rotate down into position. (FIG 2)
4. Using the screws provided, fasten the non-combustible header onto the top of the CVCK assembly.
5. Using four supplied #6 screws, fasten CVCK kit to the inside frame of unit.
6. Kit is supplied with 2 valve extension knobs. Align the notches and slide the extensions onto valve knobs.
7. DO NOT brick or tile beyond the inside area of the CVCK kit to allow for removal of door.
8. Install optional pull screen system: First slide curtain onto rods and slide round end of rod into side post (REF A). Using 1/2" DT screws, mount the flattened end of rod to bottom side of rod hanger bracket (REF B). Repeat this step for opposite side.

**NOTE:** ADDITIONAL ACCESS FOR GASLINE INSTALLATION AND FAN ELECTRICAL INSTALLATION! When CVCK is installed in framing, remove 2 screws from the right and left side of the bottom panel (REF C). Once screws are removed, bottom panel can be rotated forward for access to gas valve and fan system.



**WARNING:** Failure to position the parts in accordance with these diagrams or failure to use only parts specifically approved with this appliance may result in property damage or personal injury.

**NOTE:** When using the Clean View Kit (CVCK) and installing optional electrical components (i.e. Remote Controls, variable speed control, and or fan modules) locate them in the Clean View access area, unless other shielding devices like our IPI Component box is used.

## Clearance to Combustibles

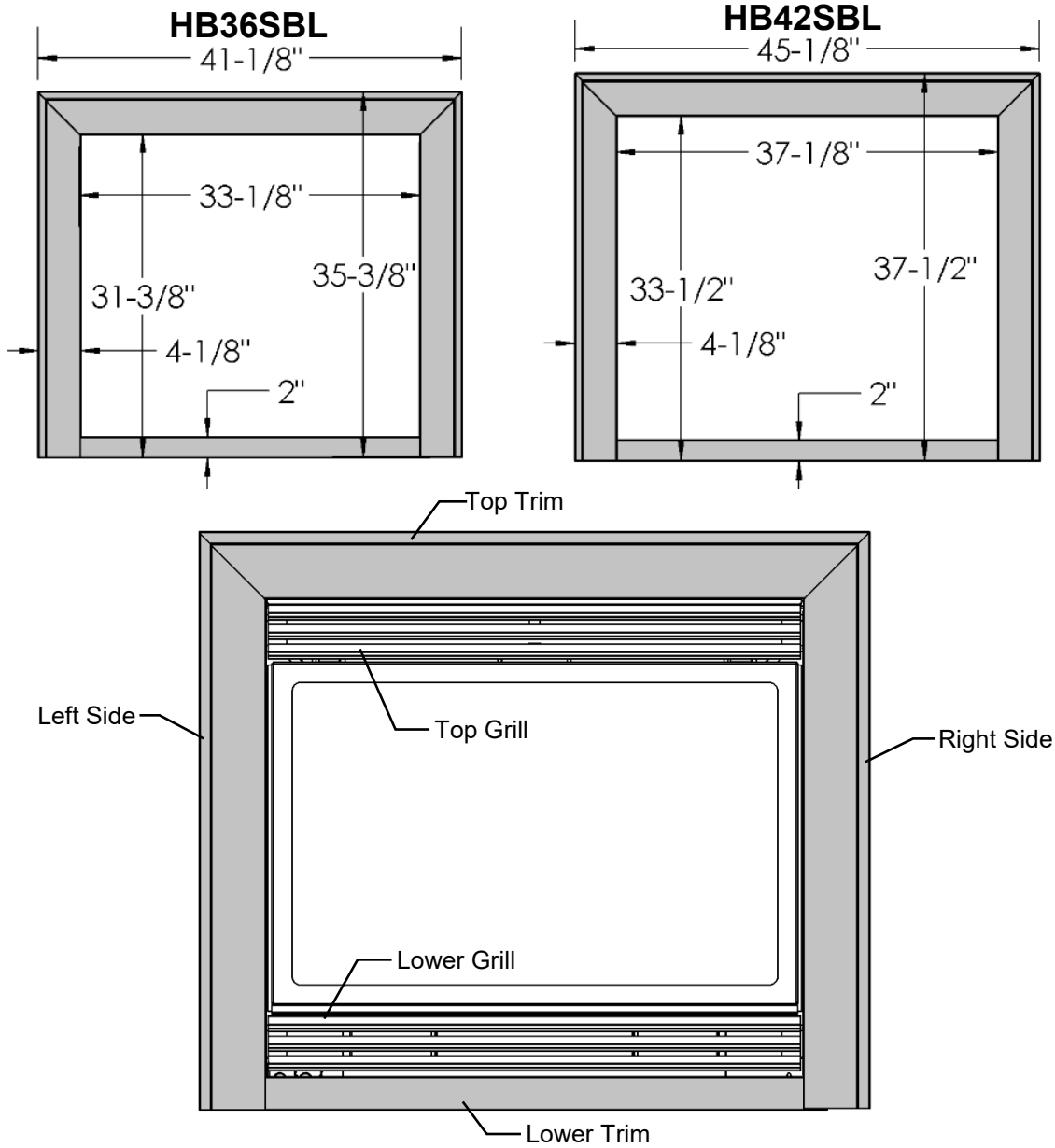
### Clearance to Combustibles

Back (from Standoffs)	0 inches/0 mm
Side (from standoffs)	0 inches/0 mm
Floor	0 inches/0 mm
Ceiling (from bottom of fireplace)	60 inches/150 cm
Top (from standoffs)	0 inches/0 mm
Top of 90 degree bend in Minimum Enclosure of 45 to 46 inches	5 inches/128 mm/ All Vent Systems
Top of 90 degree bend in Enclosure over 46 inches	2 1/2 inches/64 mm / All Vent Systems
Top of Horizontal Pipe	1 1/2 inches/38 mm / All Vent Systems
Side & Bottom of Horizontal Pipe	1 inch/25.5mm / All Vent Systems
Vertical Vent Pipe	1 inch/25.5mm / Kingsman Vent Systems
Vertical Vent Pipe	1 1/4 inch/32mm / Simpson/AmeriVent/Selkirk Direct Temp Systems

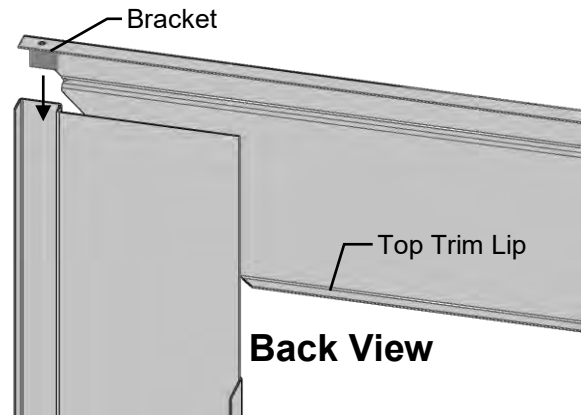
(NOTE -Floor) if installing the appliance directly on carpeting or other combustible materials other than wood flooring, the appliance shall be installed on a metal or wood panel, the full width and depth of the appliance. Carpet may extend 1 inch above the floor of appliance. For units with CVCK (Clean View Circulating Kit) see framing with CVCK to establish floor heights

## HB36SBL & HB42SBL Surrounds

Supplied with [Qty 4] 6-32 Black Self Tapping Screws.



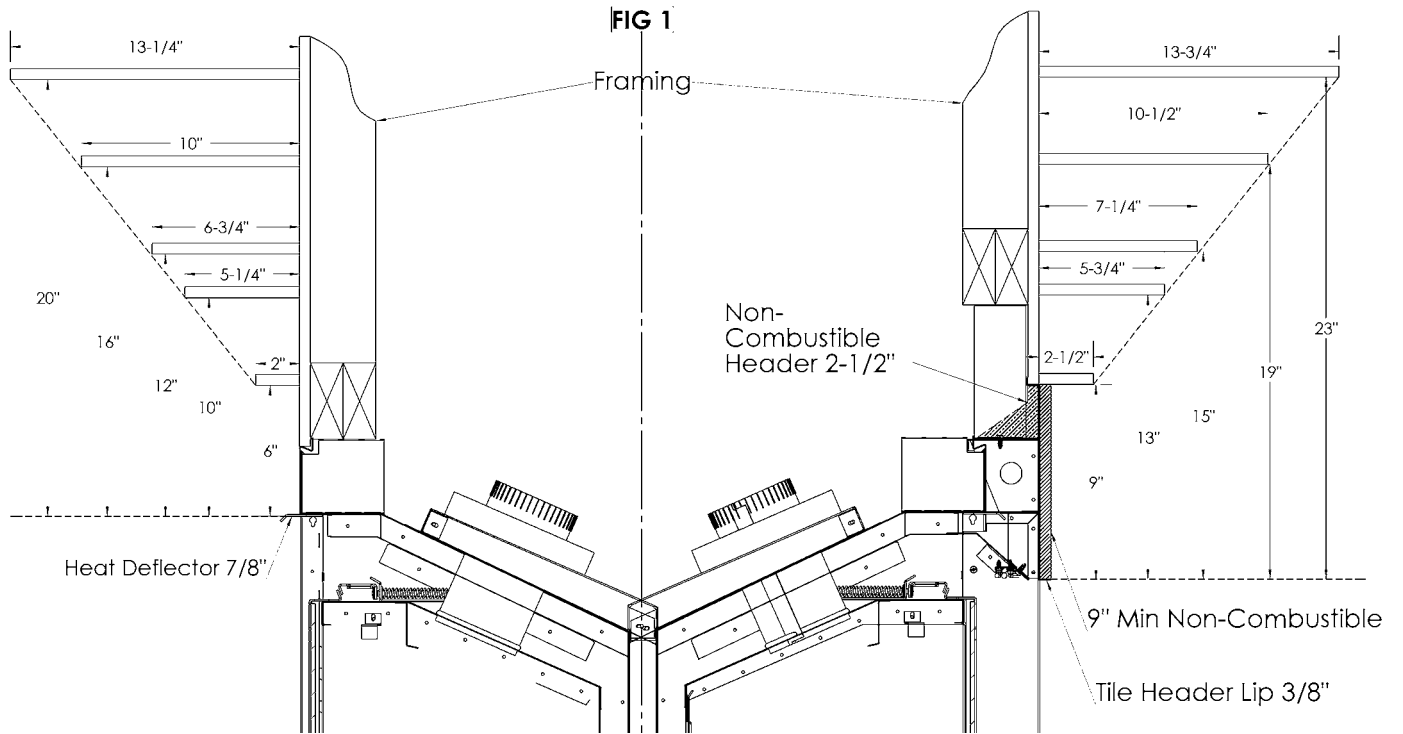
1. Remove Top and Lower Grills.
2. Place Lower Trim onto fireplace.
3. Attach left and right sides to fireplace with [2 ea.] 6-32 screws.
4. Position top trim onto left and right sides by sliding the top trim and bracket together.
5. Push bottom side of top trim toward fireplace. The lip on the bottom side of top trim must be inserted into fireplace.



# Clearances – HBZDV42 – Mantels

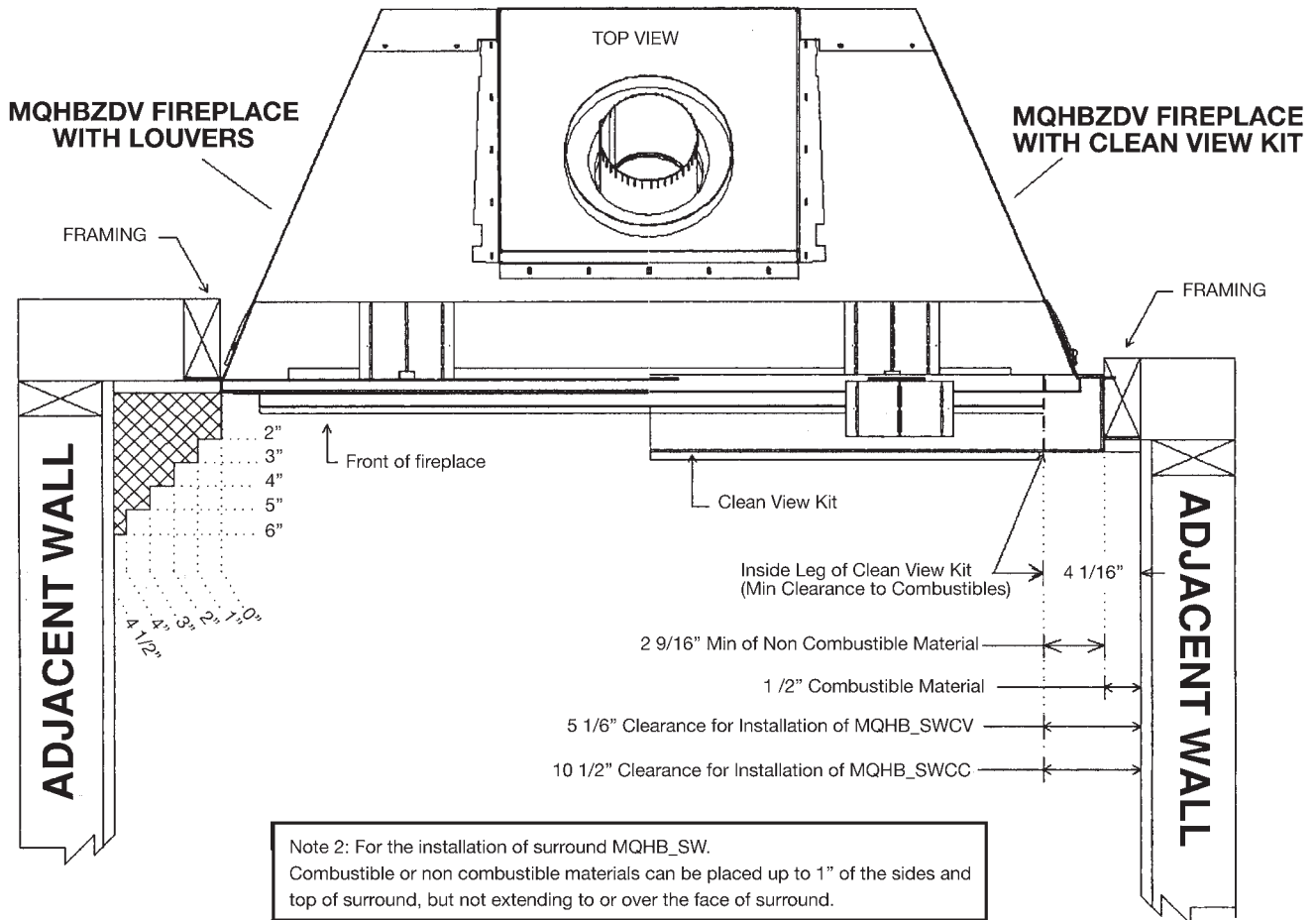
## Fireplace With Louvers

## Fireplace With Clean View Kit



**⚠ Warning:** Combustible objects must not be placed on a non-combustible mantel unless the non-combustible mantel meets the minimum height and width requirements for a combustible mantel.

## Mantel Leg Clearances



### Mantels

Depending on the depth of the fireplace mantel, it may be installed higher or lower from the top of the fireplace opening. See drawings for proper installation height of your combustible mantel. Non-combustible mantels may be installed at any height above the fireplace opening except when using MQHB SW.

Non combustible materials such as brick, tile, etc. can extend up to or over the front face of the fireplace (NO PORTION OF GRILL AREA OR DOOR AREAS CAN BE COVERED) except where designer clean view kit is used.

Combustible material can extend flush to unit up to the top, bottom and sides of fireplace to stand-offs.

For COMBUSTIBLE materials extending in front of fireplace consult (Mantel and Mantel Leg Drawings).

### Surrounds

If installing wide or slim line surrounds, the finish materials must be flush with the front facing of the fireplace.

**Note:** When using paint or lacquer to finish the mantel, such paint or lacquer must be heat resistant (250°F) to prevent discoloration.

# Fan Installation for HBZDV 36/42/47

## Fan Installation instructions for HBZDV36/42/47 with or without CVCK (Clean View Circulating Kit)

Note: INSTALL FAN KIT BEFORE INSTALLING OPTIONAL CVCK (Clean View Circulating Kit).

If CVCK has been installed into Framing additional access is provided by removing screws from bottom panel of CVCK. See INSTALLING CLEAN VIEW KIT (CVCK). Page 9-10

- Slide fan housing into unit and place over 2 Fan Retainer tabs. Tabs are pre punched and bent up. Rubber grommets at the base of the fan should fit snugly over the tabs. \*Note: When installing fan, lay the fan on its back and slide into the Fireplace lengthwise. Once inside the fan can be stood upright and slid behind the valve for placement.
- Note: For Fan Disc installation HBZDV units have been installed with a sliding track system. Install the Thermodisc provided with the Fan Kit. Place thermodisc into sliding assembly, Fig 1, and attach 2 leads exiting right side of fan housing into thermodisc. Now slide disc assembly into thermodisc track, Fig 2. Place swivel handle of



**WARNING: Label all wires prior to disconnection when servicing controls. Wiring errors can cause improper and dangerous operation.**

Verify proper operation after servicing.

### Parts List:

- 1 ea. fan comes with 4 ft cord. Two 14' leads (female ends)
- 1 ea variable speed control (wall mount type)
- 1 ea thermodisc
- 1 thermodisc mount assembly

disc assembly on track to lock into position. To service disc simply pull swivel handle slide towards you while rotating handle to access disc.

- Wire Junction Box to 120v and wall mounted variable speed control. Install a duplex outlet to junction box and plug fan into outlet.
- Turn the wall switch on (clockwise). Turn fireplace on. Once the sensor in unit reaches operating temperature (approximately 10 to 15 minutes) the fan will turn on. The fan can be switched off if desired by turning the wall switch fully counter clockwise.
- To set the minimum fan speed. Remove the variable switch from the wall mount. Turn the variable speed wall controller to its minimum setting (fully counter clockwise). Use the set screw on the side of variable speed controller to increase or decrease the minimum fan speed (lowering minimum fan speed will decrease sound level created by fan)

Reinstall switch into wall mount and cover with face plate.

Note: To service fan with CVCK kit installed see Removing Burner System in manual.

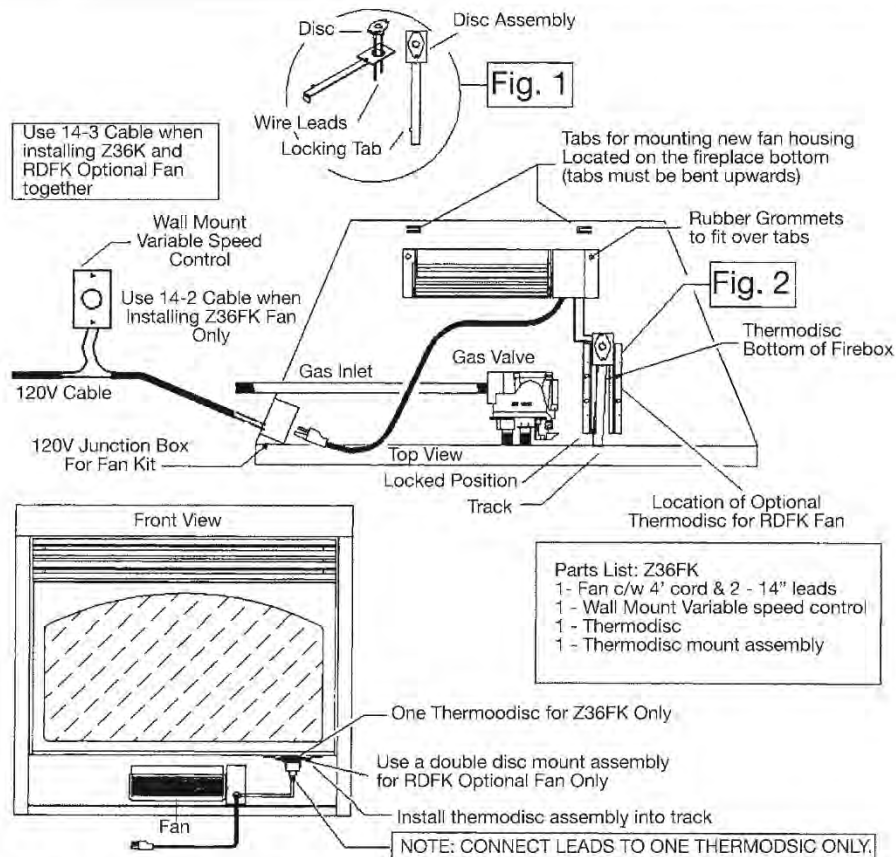
### Electrical Services

All optional fan kits are equipped with a 120V, 60Hz, .4amp blower.

Note: All electric connections are to be made in accordance with CSA Standard C22.1 - Canadian Electrical Code part I or with the National Electrical Code, ANSI/NFPA 70 (latest edition) and/or in accordance with local codes.



**WARNING: Electrical Grounding Instructions.**  
This appliance is equipped with a three-pronged (grounding) plug for your protection against shock hazard and should be plugged directly into a properly grounded three-prong receptacle. Do not cut or remove the grounding prong from this plug.



**CAUTION – DO NOT ATTACH 120V FAN ASSEMBLY TO MILLIVOLT GAS VALVE SYSTEM**

## Removing Burner System / Access Cover



**Warning:** Failure to position the parts in accordance with these diagrams or failure to use only parts specifically approved with this appliance may result in property damage or personal injury.

If Fireplace has been installed with optional CVCK (Clean View Circulating Kit) to service fan system or burner system controls, the access cover and burner system will have to be removed



**Warning:** Before starting removal of parts turn off gas supply, disconnect 110 volts to fan system and disconnect 110 volts to electronic ignition burner system if applicable.

### Access cover removal

1. Remove door, logs, brick panels, false bottom, burner grate and burner from firebox.
2. Lift false bottom up (on applicable units only) from alignment pins and remove. Burner grate (on applicable units only) is fastened by 2 screws one right and left of grate, remove screws and take out grate. Remove burner by loosening burner retainer tab screws and slide burner left off orifice. Access cover is now exposed for removal.
3. Remove 10 screws holding access cover in place. Push down on one corner of access cover to break seal of cover, once loose cover can be slid under firebox bottom to expose gas connection.

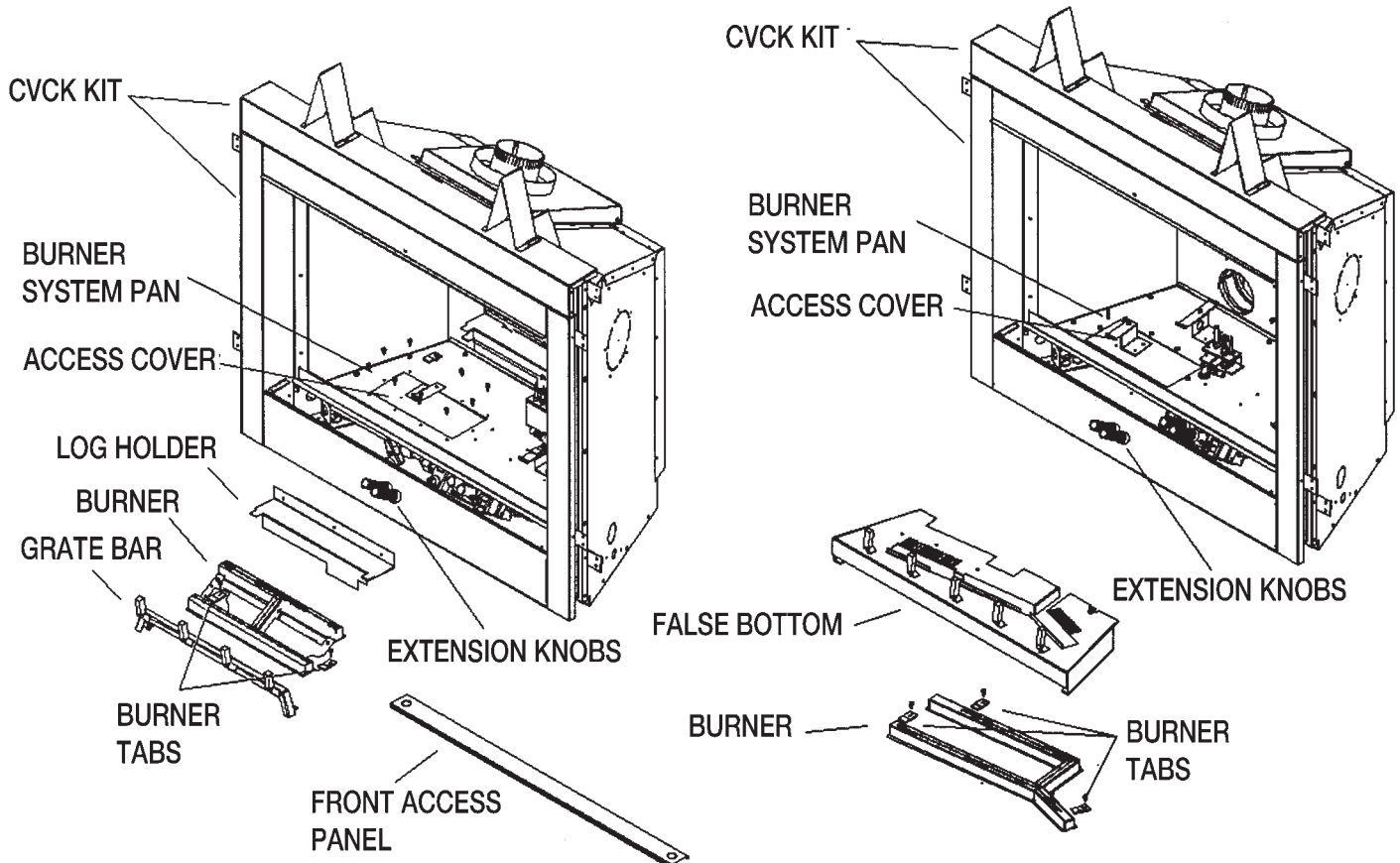
### Removing Burner System

1. Disconnect gas line connection at burner system through access cover opening.
2. Remove extension knobs and wiring from face of gas valve.
3. Undo screws holding back log holder (on applicable units only) and remove. Remove screws from perimeter of burner system pan, lift pan at one back corner and rotate pan up from back of firebox. Make sure when tilting up and removing burner system, that all fan and valve control wiring is disconnected. To re-install access cover / burner system remove old Mil Pac sealant and apply new sealant. After new sealant is applied reverse removal procedure to re-install parts.

\* Caution high temperature sealant has been applied to access cover and burner system pan. New sealant will have to be applied when re-installing access cover and burner stem to maintain the integrity of sealed combustion chamber. Mil Pac part #840099 or Kingsman part # 1000-150MP sealant can be purchased from your Kingsman retailer or distributor.



**Warning:** All work should be performed by a qualified and certified technician.

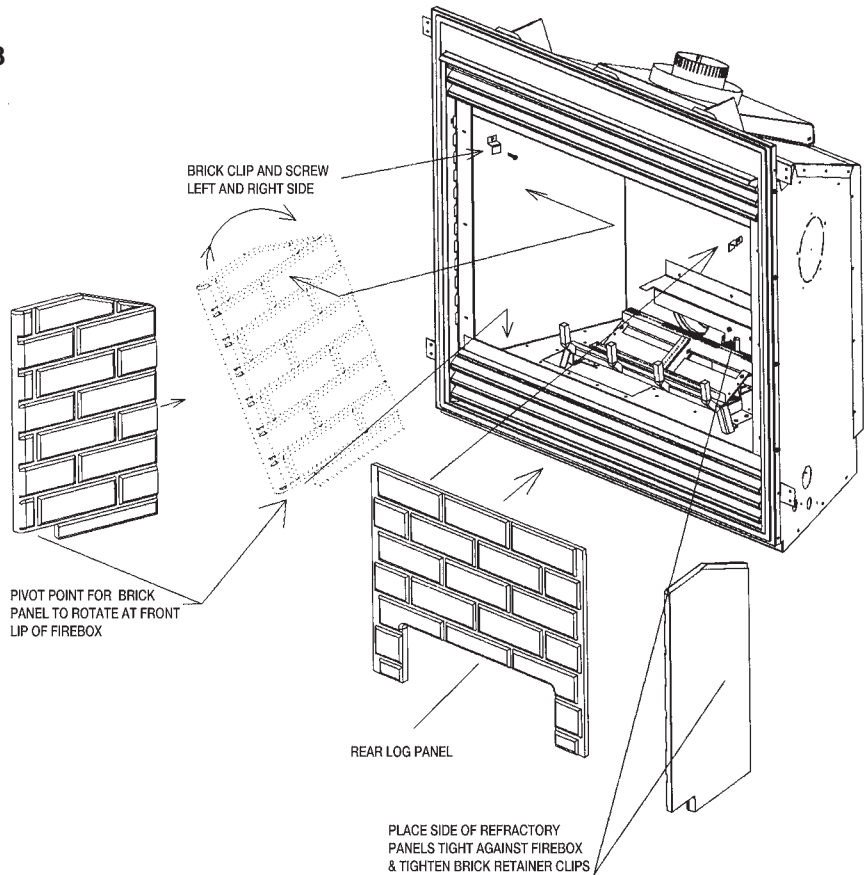




## Brick Installation

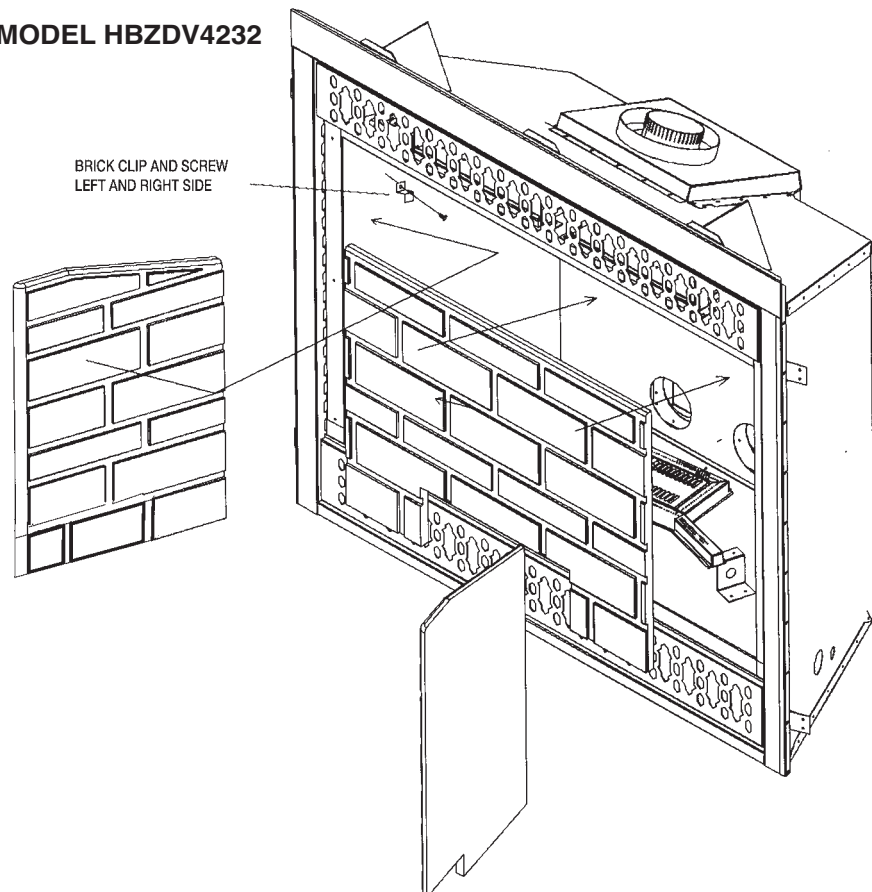
### INSTALLING BRICK PANELS FOR MODEL HBZDV4224 AND HBZDV4228

1. PLACE REAR BRICK PANEL AGAINST REAR OF FIREPLACE.
2. LOOSEN SCREWS HOLDING BRICK CLIPS IN POSITION. ROTATE CLIPS UP OUT OF THE WAY. PLACE BOTTOM OF SIDE BRICK OVER FRONT LIP OF FIREPLACE AND ROTATE PANEL INTO POSITION. ROTATE BRICK CLIPS DOWN AND TIGHTEN SCREWS.



### INSTALLING BRICK PANELS FOR MODEL HBZDV4232

1. REMOVE GLASS DOOR FROM THE UNIT BY UNLATCHING THE 2 LATCHES ON TOP OF THE UNIT.
2. PLACE REAR BRICK PANEL UP AGAINST THE REAR OF THE FIREBOX.
3. LOOSEN SCREWS HOLDING BRICK CLIPS IN POSITION, MOVE CLIPS UP OUT OF THE WAY AND PLACE SIDE BRICKS UP TO REAR BRICK AND FLUSH AGAINST SIDE WALL OF FIREBOX. POSITION CLIPS OVER BRICK AND TIGHTEN SCREWS.
4. REPLACE FALSE BOTTOM
5. INSTALL LOGSET AS PER INSTRUCTIONS.
6. REATTACH DOOR.

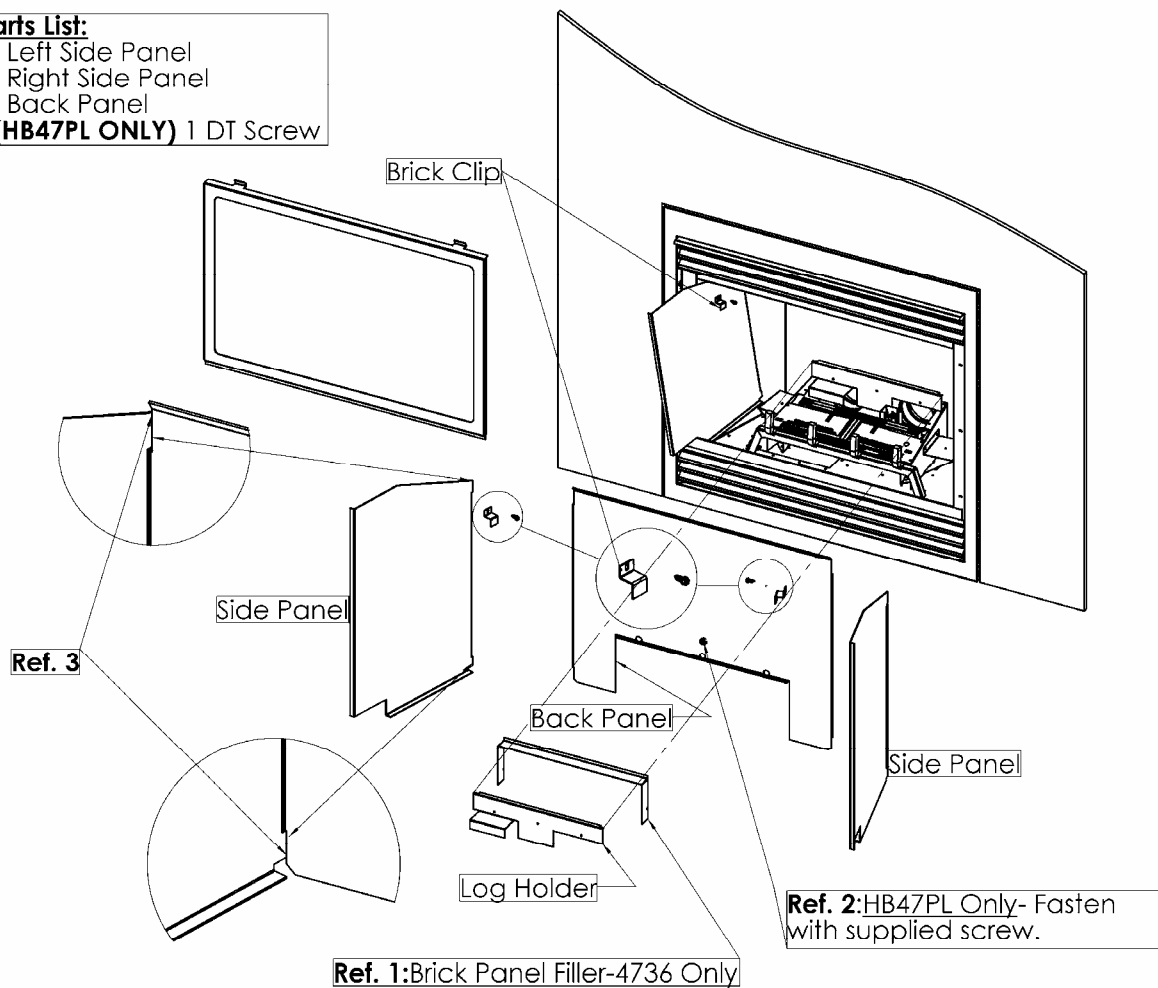


## Installation of HB Porcelain Liners - HB42PL

1. Remove Door from the fireplace by unlatching the 2 latches on top of unit.
2. Remove back Log Holder by removing 3 screws from face of Log Holder. The Log Holder will have to be re-installed after the placement of the Back Panel.
3. Place Back Panel up against rear of firebox by tilting top of Back Panel towards you and sliding bottom of Back Panel over burner system.
4. Loosen screws holding Brick Clip in place. Rotate Brick Clip out of the way and slide Side Panel up against Back Panel. Side Panel tabs should engage top and bottom of Back Panel (**See Ref. 3**). Rotate Brick Clip down over Side Panel and tighten screw.
5. Re-install Log Holder (and Brick Filler Panel if applicable) removed in step 2. Install Log Set as per instruction and re-install Door.

### Parts List:

- 1 Left Side Panel
- 1 Right Side Panel
- 1 Back Panel
- (**HB47PL ONLY**) 1 DT Screw



## Door and Glass Information

### Glass Cleaning

It will be necessary to clean the glass periodically. During start-up, condensation, which is normal, forms on the inside of the glass and causes dust, lint etc. to cling to the glass surface. Also, initial paint curing can deposit a slight film on the glass. It is therefore recommended that initially the glass be cleaned two or three times with non-abrasive common household glass cleansers and warm water. After that, the glass should be cleaned two or three times a season depending on the circumstances.



#### Warning and Cautions.

- Do not clean when the glass is hot.
- Do not use abrasive cleaners.
- Using a substitute glass will void all product warranties.
- Do not strike or abuse glass. Care must be taken to avoid breakage of the glass.
- Do not operate this fireplace without the glass front or with a broken glass.

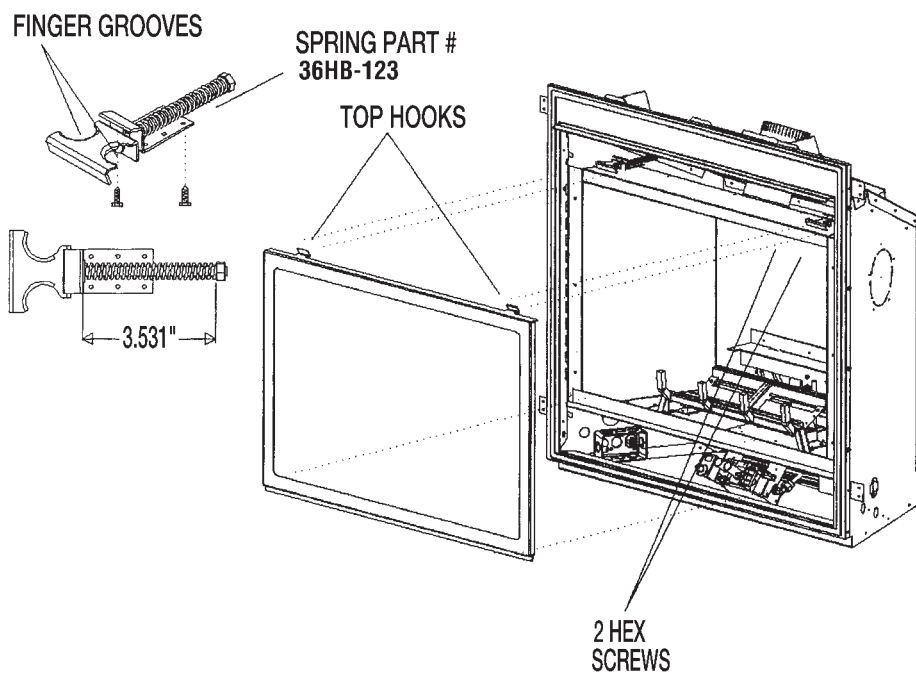
### Glass Replacement

#### REPLACEMENT GLASS FOR BOTH DIRECT VENT UNITS

Model Series HBZDV4224N and HBZDV4224LP can use either tempered glass or Robax ceramic or coated Neoceram glass. Must be 5mm thick.

Only Robax ceramic or coated Neoceram glass may be used for replacement for model HBZDV4228N, HBZDV4228LP, HBZDV4232N and HBZDV4232LP. Must be minimum 5mm thick.

To replace glass, clean all materials from door frame. Scrape off old silicone down to metal. Using a high heat silicone temperature-resistant to 500°F (260°C) apply a continuous bead of approximately 1/32" to all four sides of frame and insert glass with new gasket. Frame should be on flat surface, with a small amount of weight pressing glass into silicone. Let dry approximately 15 to 20 minutes. The door can be re-installed by reversing Steps 1 & 2. Use caution when removing broken glass, wear gloves.



### Removal of the Glass Door

1. Remove the door by unlatching the 2 top latches. Simply place 2 fingers in the grooves, pull towards you and lift upwards slightly.
2. Once the top of the door is unlatched, simply pull outwards and lift upwards to unlatch the bottom.
3. When re-installing the door place the bottom of the door in first and secure with Top Latch assembly to the door.

#### Spring Replacement:

\*Over time, spring may need to be replaced if tension is lost.

1. To remove the top latch, remove the 2 hex screws that secure it in place. They are located in the firebox.
2. Once all the screws are removed the latches will slide out of place.
3. There is 1 lock nut per latch. When replacing a spring, tighten the lock nut until 2 threads are beyond the locknut. This is critical for proper tension.

## Appliance/Log Reference Chart/Log Placement


The following is a list of models and appropriate log sets that can be used with each model. It is important that the appropriate log set is used with the correct model in order for the appliance to work properly.

Appliance	LOGC42	LOGC43	LOGC44	LOGC60	MQRSP3 MQROCK1
HBZDV4224N or LP	✓	✓	✓		✓
HBZDV4228N or LP	✓	✓	✓		✓
HBZDV4232N or LP				✓	

## Log Assembly for HBZDV4224/HBZDV4228 LOGC42 - LOG C43 LOG PLACEMENT GUIDELINES (4-PIECE LOG SET)



**FIGURE A** - Log set Ember kit and Crushed rock

**WARNING:**  Failure to position the parts in accordance with these diagrams or failure to use only parts specifically approved with this appliance may result in property damage or personal injury.



**Step (4)** Break glowing embers into thumbnail size. Place glowing embers on to the surface of the front burner, to the surface of the ember plates and over crossover to the same height as ember plates. Height on front burner 1/2" to 3/4". Height on ember plates 3/4" to 1". Do not cover back air openings on ember plates.



**FIGURE B** - Rear log holder.  
**Step (1)** Units are equipped with screws or latches. To remove glass door, either remove screws or unfasten latches and lift door off bottom door retainer.  
**Step (2)** Remove logs from carton and inspect each log.  
**Step (3)** Verify to see that the ember plates (2 pcs) are between front and back burner.



**Step (5)** Place front log over burner, against decorative grate. Be sure that front log is tight up against the decorative grate.

## LOG C42 - LOGC43 LOG PLACEMENT (continued) - FOR MODELS HBZDV4224HBZDV4228



**Step (6)** Place rear log on to the log retainer 1/2" away from back of fireplace. (If refractory liner is used, make sure refractory liner is installed first then back log is to be pushed up against it as tight as possible.)



**Step (7)** Place right crossover log across front and back logs using the log placement pin as a guide.



**Step (8)** Place left crossover log across front and back logs using the log placement pin as a guide.

**Step (9)** Place decorative moon rock on bottom of fireplace to simulate ash.  
**DO NOT PUT ANY ROCK ON BURNERS!**



**Step (10)** Purge lines and test pilot operation.  
**Step (11)** Replace glass door.

# LOGC44 PLACEMENT GUIDELINES - FOR MODELS HBZDV4224/HBZDV4228

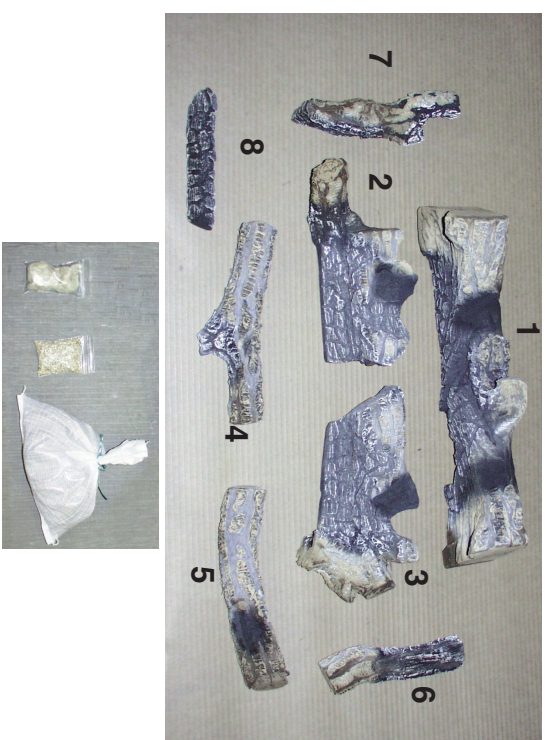


FIGURE A - Log set Ember kit and Crushed rock



**Step (1)** Position rear log over rear log holder and lower into position. Be sure that the log does not sit on rear burner, but behind and lower than burner.

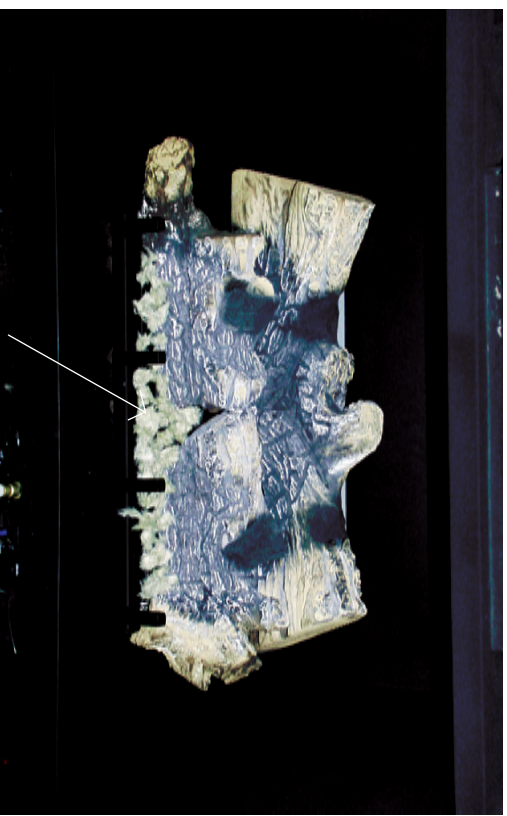


**Step (2)** Locate flat surface on Log (2) and place directly onto left ember plate; push log fully to the right until it touches the crossing tube.

# LOGC44 PLACEMENT GUIDELINES - FOR MODELS HBZDV4224/HBZDV4228



**Step (3)** Locate flat surface on Log (3) and place directly on to right Ember plate, push log fully to the left until it touches Log (2)



**Step (4)** Remove Ember material from plastic bag, tear off dime and nickel sized pieces and place directly onto front burner tube and crossover tube. (NOTE: Do not place embers onto rear burner tube)



**Step (5)** Position Log (4) into grooved areas of Logs (1) and (2).



**Step (6)** Position Log (5) into grooved area of Logs (1) and (3).

# LOGC44 PLACEMENT GUIDELINES - FOR MODELS HBZDV4224/HBZDV4228



**Step (7)** Position Log (6) up against the the 2nd grate post from the right, and position upper section of Log (6) into grooved area of Log (5).



**Step (8)** Slide Log (7) between Log (1) and Log (2)



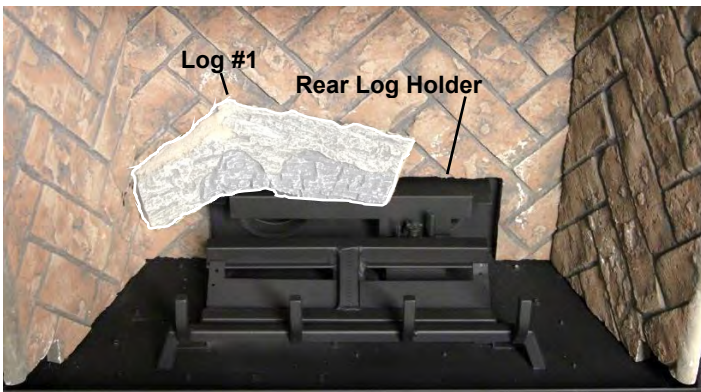
**Step (9)** Position Log (8) up against the 3rd grate post from the right, and position upper section of Log (8) against Logs (2) and (7).



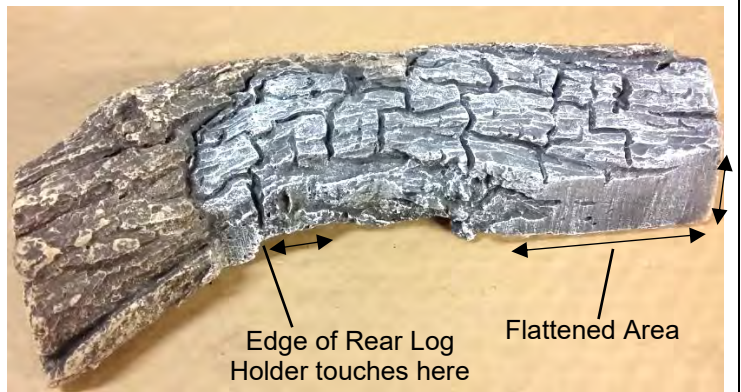
**Step (10)** Place crushed rocks onto firebox bottom.  
(NOTE: Do not place crushed rock onto burner tubes)



**MQLOGC45 Oak Logset -Placement Instructions- HBZDV3624 / 3628 / 4224 / 4228**



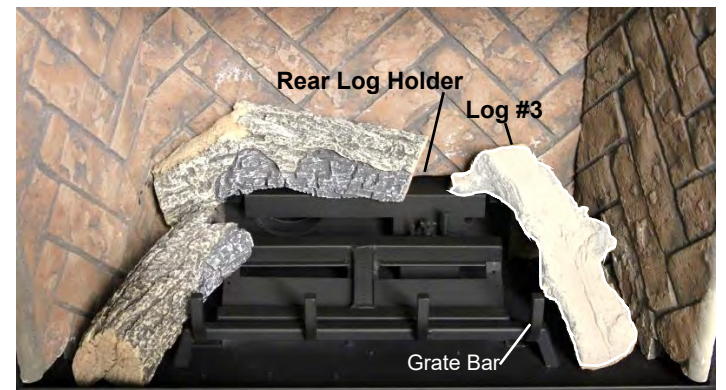
**Step 1:** Place flattened area of **Log #1** onto left side of Rear Log Holder.



Log #1 Flattened Area



**Step 2:** Place Notched End of **Log #2** onto Left Ember Plate and against Upper Burner Tube End. Next place Flattened Area of Log #2 onto Firebox Floor and against left side of Grate Bar.



**Step 3:** Rest the Small Branch end of **Log #3** onto Rear Log Holder. Next place Flattened area of Log #3 onto firebox floor between the right end of Grate Bar and sidewall of Firebox or Brick Panel.



**Step 4:** Place Flattened Area of **Log #4** onto the Ember Plate, making sure it is completely seated. The charred Branch of Log #4 will rest on the end of the Grate Bar.



**Step 5:** Place Rock Wool onto Front and Crossover Burner Tubes and onto the Left Ember Plate



**Step 6:** Place the end of **Log #5** against middle right Grate Bar as shown. The other end will rest on Log #2.



**Step 7:** Place **Log #6** onto Log #1 and Log #5 making sure to position between the end and center flames evenly. There should be no impingement of flames or sooting may occur.



**Step 8:** Place **Log #7** onto empty spot on Rear Log Holder and onto Log #4 making sure to position between the end flame and center flame evenly. There should be no impingement of flames or sooting may occur.

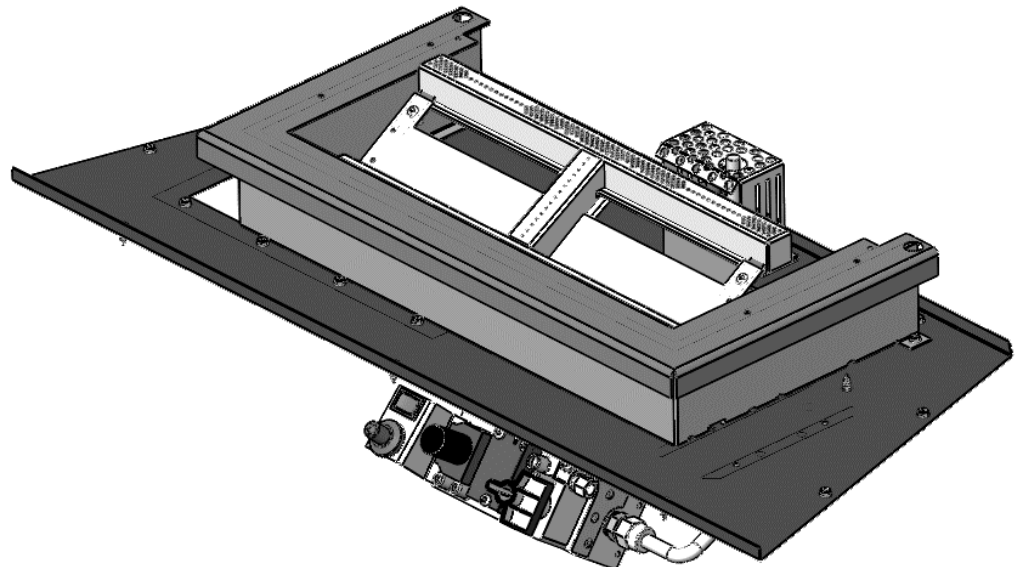
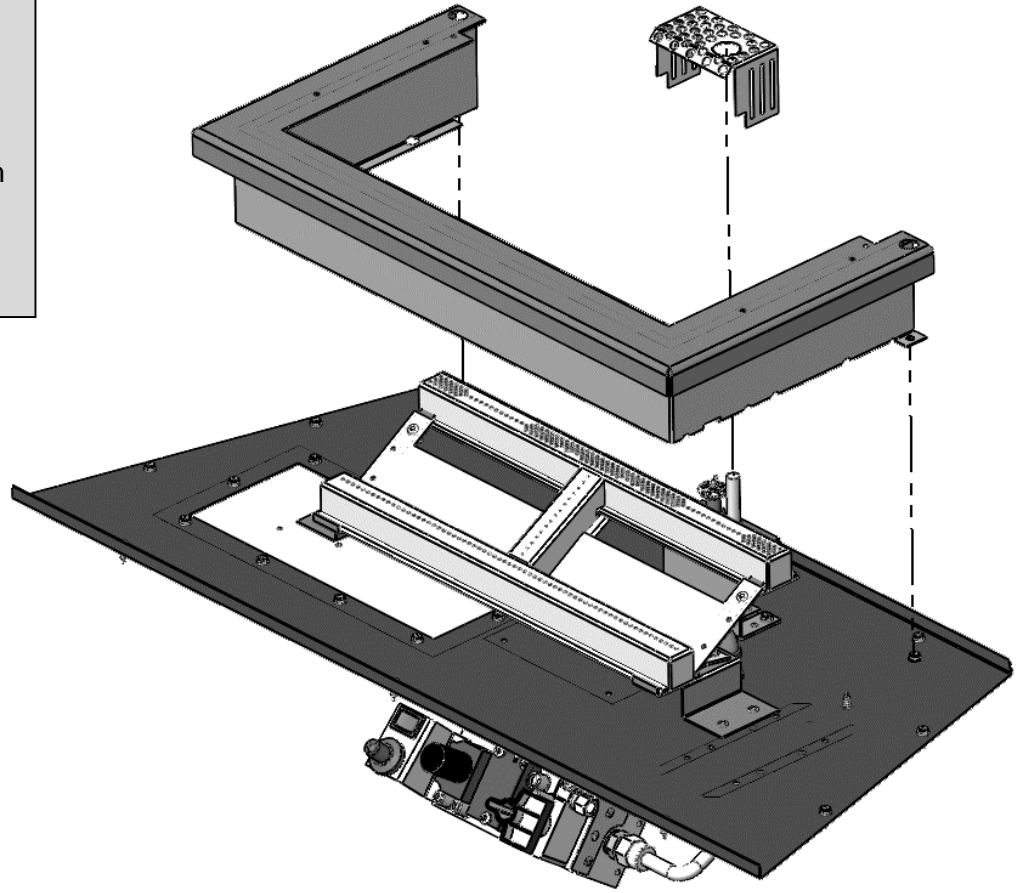


**Step 9:** Place Lava Rock onto Firebox Bottom and sprinkle Vermiculite.

## MQRSP3 with Pilot Shield

**⚠ WARNING:**

Failure to position the parts in accordance with these diagrams or failure to use only parts specifically approved with this appliance may result in property damage or personal injury.



# Installing MQRSP3 Rock Platform Assembly Fits HBZDV3624-28/4224-28



**WARNING:** Failure to position the parts in accordance with these diagrams or failure to use only parts specifically approved with this appliance may result in property damage or personal injury.

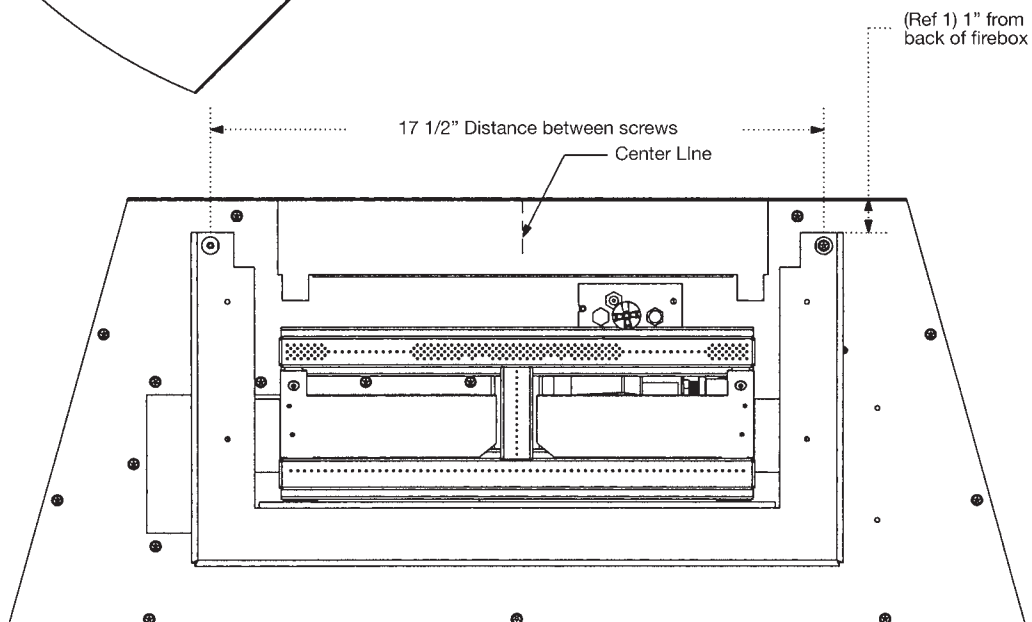
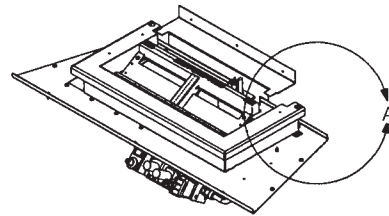
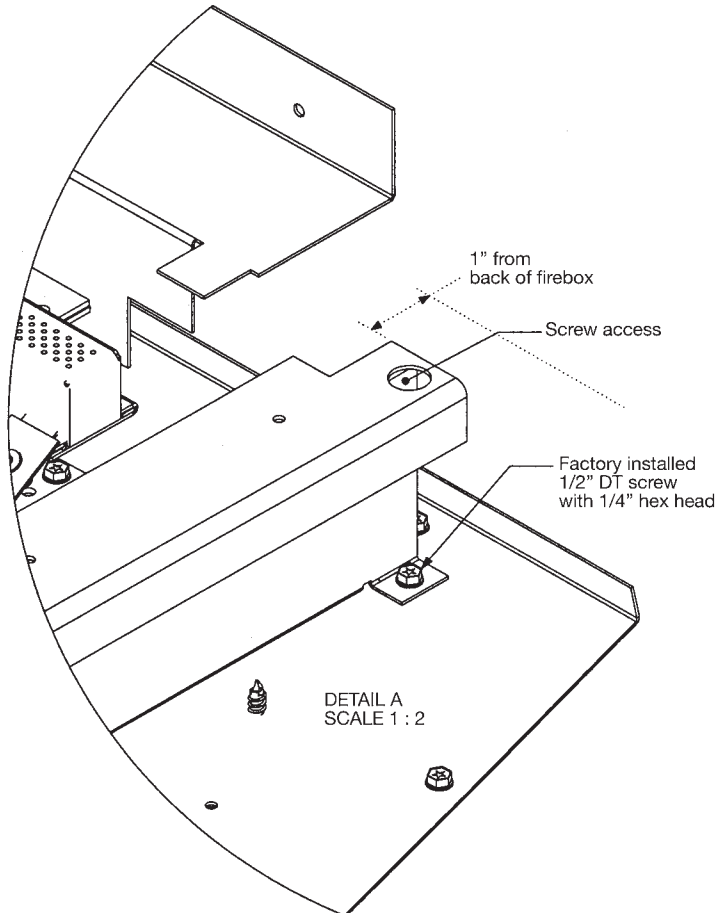
## Installing rock platform to burner system with pre-punched holes:

1. Remove the two factory installed screws located at the back of burner system.
2. Center platform on burner system.
3. Fasten rock platform with screws removed in step 1.

## Installing rock platform to burner system without pre-punched holes:

1. Use the rock platform as a template for the holes to be drilled. Center platform on burner system 1" from the back of firebox (Ref 1) and mark the location of holes to be drilled.
2. Using a 1/8 drill bit, drill holes marked in step 1 and fasten rock platform with the two supplied screws.

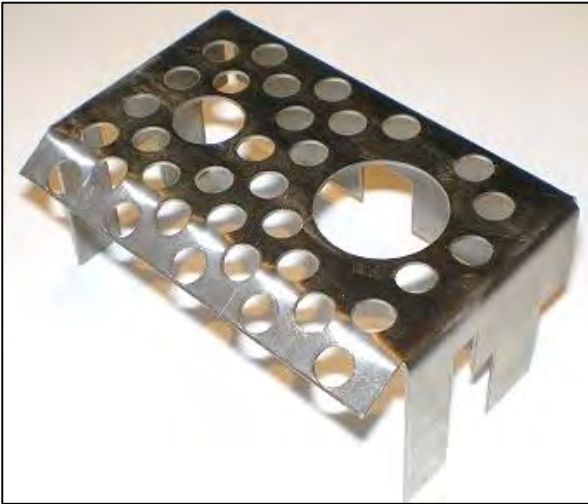
Packaging MQRSP3  
2 - 8-18 DT Screws  
1 - Rock Platform  
1 - Instructions



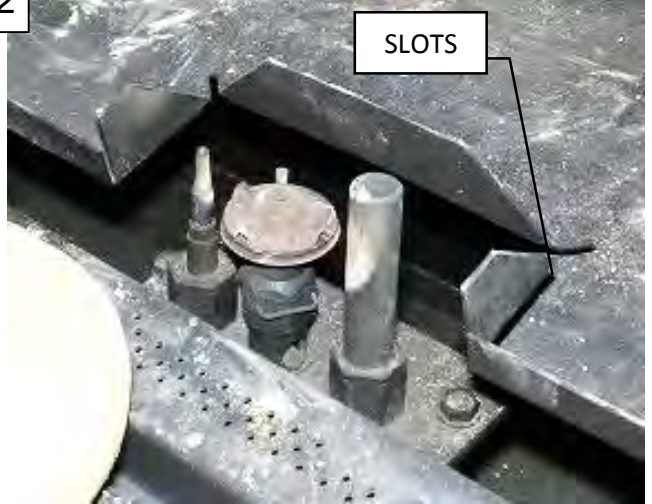
# Pilot Shield RSP1 / RSP2

Qty: 1 Shield Per Kit

1



2

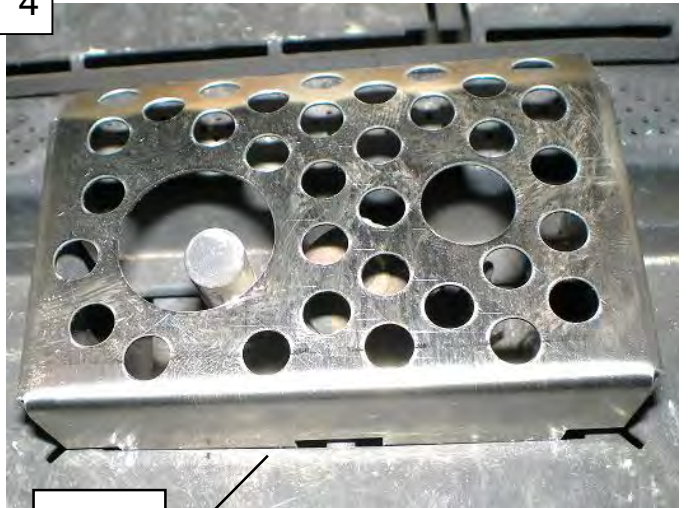


3



SLOTS

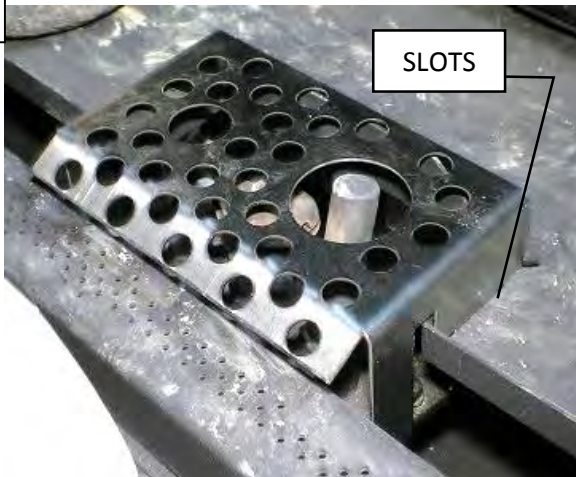
4



SLOTS

Back View

5



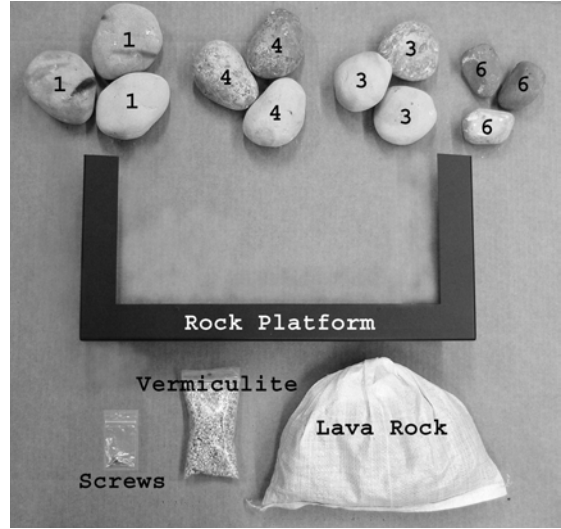
SLOTS

6

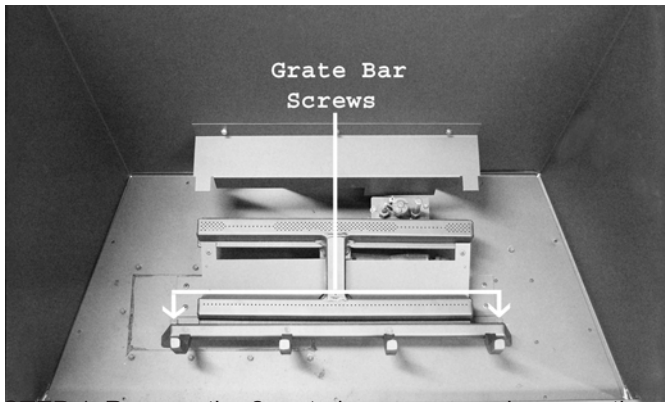


# MOROCK1/MQRSP3 for HBZDV3624/28 and HBZDV4224/28

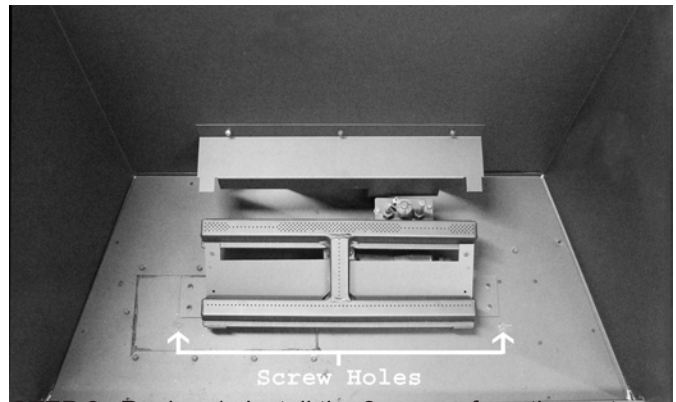
 **WARNING:** Failure to position the parts in accordance with these diagrams or failure to use only parts specifically approved with this appliance may result in property damage or personal injury.



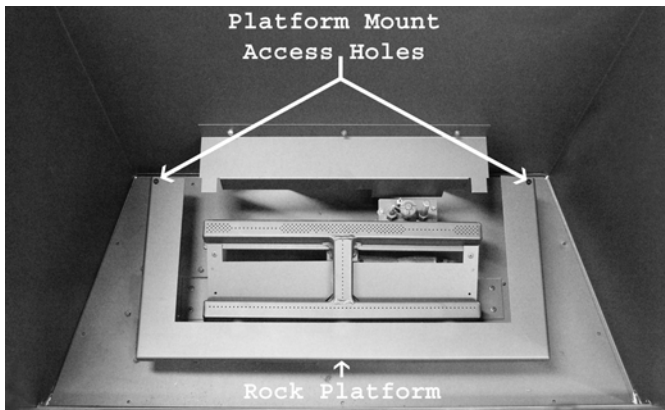
PARTS LIST  
MQRSP3 (ROCK PLATFORM)  
2 SCREWS



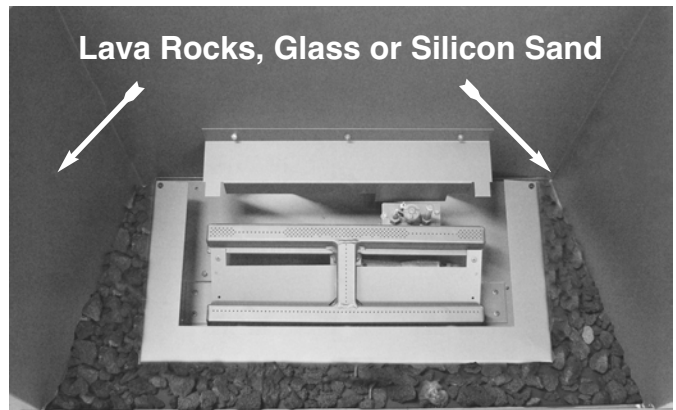
STEP 1: Remove the 2 grate bar screws and remove the grate bar.



STEP 2: Replace/reinstall the 2 screws from the grate bar.

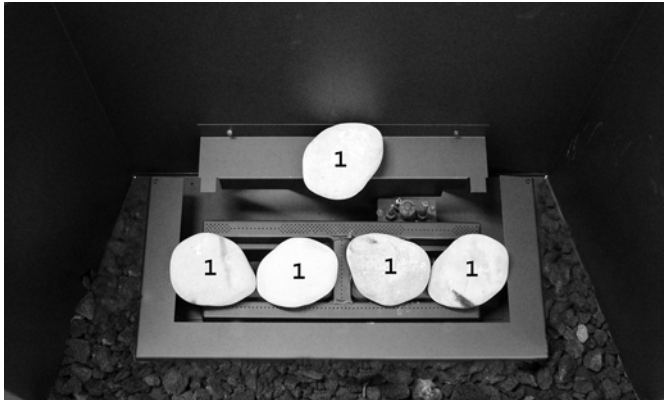


STEP 3: Using the rock platform mount holes, attach the rock platform to the burner pan as shown.

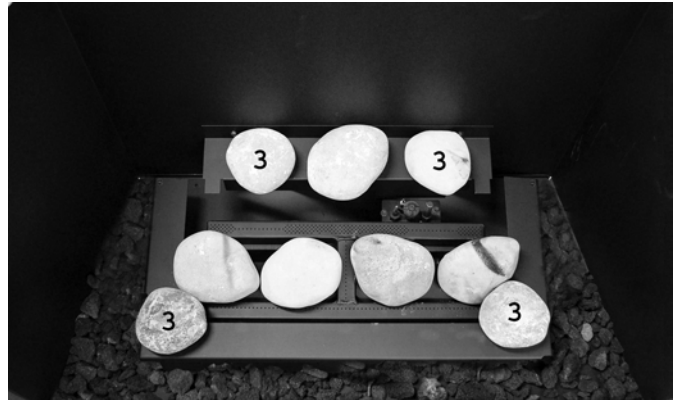


STEP 4: Fill around the rock platform with lava rock. Sprinkle vermiculite over top of the lava rock. **Do not place lava rock or vermiculite on the burner tube.**

# MOROCK1/MORSP3 for HBZDV3624/28 and HBZDV4224/28



STEP 5: Place rocks #1 onto the burner as shown. **Do not place rocks directly onto the burner tubes.**



STEP 6: Place rocks #3 into position as shown. **Do not place rocks directly onto the burner tubes.**



STEP 7: Place rocks #4 into position as shown.



STEP 8: Place rocks #6 into position as shown.



STEP 9: Place remaining rocks #3 and #4 into position as shown or at random.



Finished Rock F3 Setup

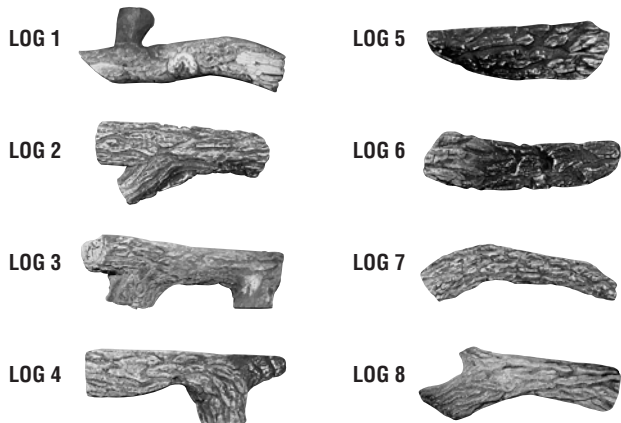
**Never place any of the rocks directly onto the burner tubes.**

**Note: If flame impingement on the rocks causes sooting, you may have to move or remove one or more rocks. Do not place rocks directly over top of the burner tube.**

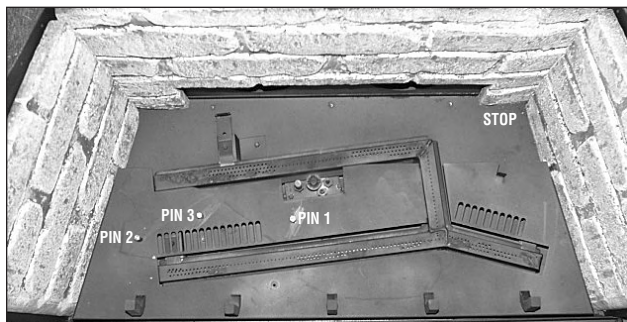
# Instructions for installing Log Set C-60 for Models HBZDV3632, HBZDV4232, and HBZDV4732



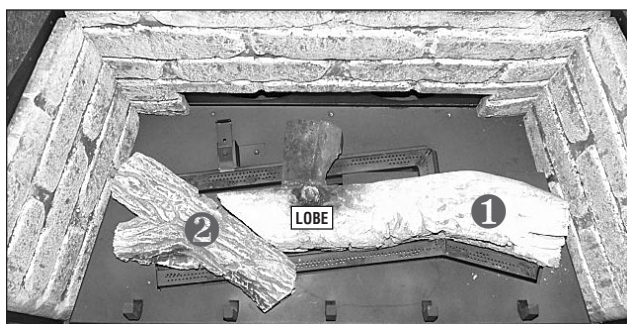
**WARNING:** Failure to position the parts in accordance with these diagrams or failure to use only parts specifically approved with this appliance may result in property damage or personal injury.



**STEP 1:** Log 1 is to be positioned onto Pin 1 with locating hole on bottom of log. The rear right of Log 1 will be placed against stop. (Do not place log on top of stop.)



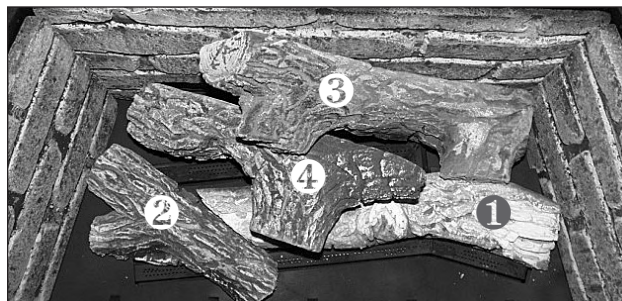
**STEP 2:** Locate the two holes on bottom of Log 2 and position these down onto the locating Pins 2 and 3.



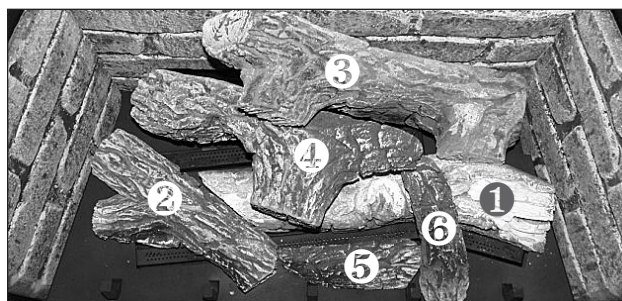
**STEP 3:** Place log 3 behind the rear burner tube as shown in the photograph.



**STEP 4:** (Note hole on Log 4, bottom of main knot and flat area near end of log.) Raise Log 3 approx. 2 inches and position Log 4 under the top knot of Log 3. Position the hole of Log 4 onto locating lobe of Log 1, lower Log 3 down into place as shown. Place flat area of Log 4 onto left rear burner log mount and push back against tab.

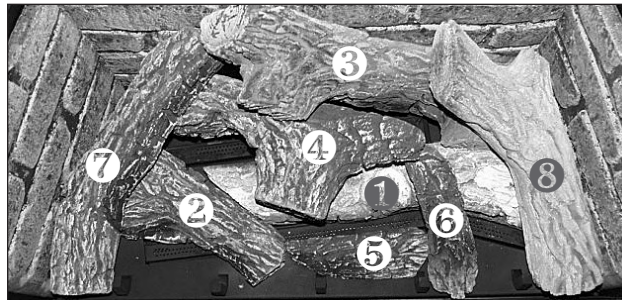


**STEP 5:** Place Log 5 against grate bars and position Log 6 along side of Log 5 and onto Log 1 as shown in the photograph.

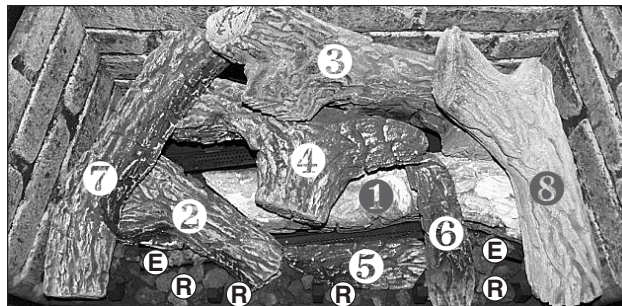


**STEP 6:** Place the narrow end of Log 7 onto Log 4. The left front of Log 7 should touch the firebox wall or brick panel.

**STEP 7:** Place Log 8 onto Log 3. The right front of Log 8 should touch the firebox wall or brick panel. Verify that Logs 7 and 8 do not extend into the glass front or enter into the flame path.



**STEP 8:** Place a small amount of glowing ember material (E) onto the front burner tube ends. (Too much ember material causes a blue flame.) (When placing embers onto burner, leave an air space between the log and the embers; this will help produce a yellow flame in these areas.) Place rocks (R) onto false bottom only. Do not place rocks onto burner tubes.





## Gas Line Installation

This gas appliance should be installed by a qualified installer in accordance with local building codes and with current CAN/CGA - B149.1 or .2 installation codes for Gas Burning appliances and equipment in Canada and the National Fuel Gas Code ANSI Z223 in the U.S.A.

1. The gas pipeline can be brought in through either the right or the left side of the appliance. A knockout is provided at either location to allow for the gas pipe installation and testing of any gas connection.

2. The gas control inlet is 3/8" NPT. Typical installation layout for rigid pipe is shown at right.

3. When using **copper** or **flex connector**, use only approved fittings. Always provide a union so that gas line can be easily disconnected for burner or fan servicing. See gas specification for pressure details and ratings.

4. When a vertical section of gas pipe is required for the installation, a condensation trap is needed. See CAN/CGA-B149.1 or .2 for code details.

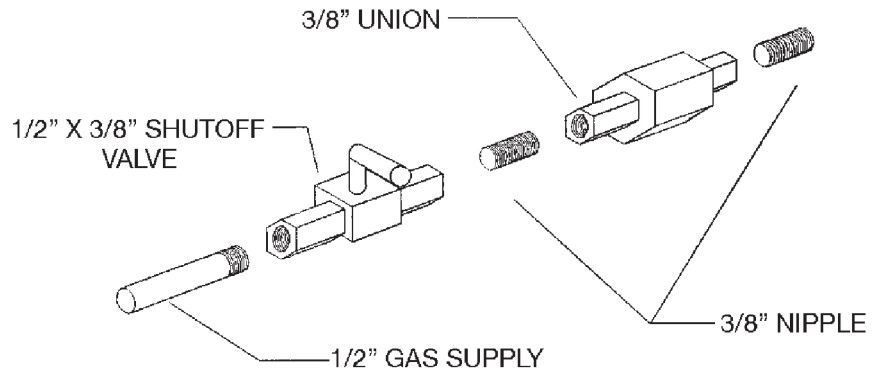
5. For natural gas, a minimum of 3/8" iron pipe with gas minimum pressure of 4.5" w.c. must be used for supply from the gas meter. Consult with the local gas utility if any questions arise concerning pipe sizes.

6. A 1/8" NPT plugged tapings are accessible for test gauge connection both on the inlet and outlet of the gas valve.

7. Turn the gas supply ON and check for leaks. **DO NOT USE OPEN FLAME FOR THIS PURPOSE.** Use an approved leak testing solution.

8. The appliance and its individual shutoff valve must be disconnected from the gas supply piping system during any pressure testing of that system at test pressures in excess of 1/2 PSIG (3.5 KPa).

9. The appliance must be isolated from the gas supply piping system by closing its individual shutoff valve during any pressure testing of the gas supply piping system at test pressures equal to or less than 1/2 PSIG (3.5 KPa).



**Note: The gas line connection may be made of 1/2" rigid pipe or an approved flex connector. Since some municipalities have additional local codes, it is always best to consult your local authorities and the current CAN/CGA - B149.1 or .2 installation code in Canada or the National Fuel Gas code ANSI Z223.1 in the U.S.A.**

For the state of Massachusetts a **T-handle gas shut-off valve** must be used on a gas appliance. This T-handle gas shut-off valve must be listed and approved by the state of Massachusetts. This is in reference to the state of Massachusetts state code CMR238.

**Important:** Always check for gas leaks with a soap and water solution. Do not use open flame for leak testing.

### Gas Specifications

Models	Top Flue HBZDV4224N	Top Flue HBZDV4224LP	HBZDV4228N	HBZDV4228LP	HBZDV4232N	HBZDV4232LP
Fuel	Natural	Propane	Natural	Propane	Natural	Propane
Gas Control	Millivolt adjustable	Millivolt adjustable	Millivolt adjustable	Millivolt adjustable	Millivolt adjustable	Millivolt adjustable
Maximum	24,000 BTU High	22,000 BTU High	28,000 BTU High	26,000 BTU High	30,500 BTU High	29,200 BTU High
Input	14,000 BTU Low	15,000 BTU Low	20,000 BTU Low	19,000 BTU Low	20,600 BTU Low	22,200 BTU Low
Maximum	n/a	n/a	21,000 BTU	19,500 BTU	22,900 BTU	21,900 BTU
<b>Output</b>						
Orifice Size	#42	#53	#37	#52	#36	#51
(0 - 4500 ft)						
Air Shutter	.125" - 1/8"	Fully Open	.218" - 7/32"	Fully Open	.187" - 3/16"	.312" - 5/16"
Gas Inlet Size S.I.T. 820 Nova, 3/8" NPT						
Gas Supply Pressure	Minimum	Normal	Maximum			
Natural Gas	5.5"	7"	9"			
Liquid Propane	11"	11"	12"			
Manifold Pressure	Natural Gas	Liquid Propane				
Manifold Pressure High	3.5 IN. W.C./1.87 KPa	10 IN. W.C./2.61 KPa				
Manifold Pressure Low	1.6 IN. W.C./1.40 KPa	6.3 IN. W.C./1.57 KPa				

# Millivolt System, Lighting, and Burner Control

## FOR YOUR SAFETY READ BEFORE LIGHTING

**WARNING:** If you do not follow these instructions exactly, a fire or explosion may result causing property damage, personal injury or loss of life.

### BEFORE LIGHTING

- A This appliance has a pilot which must be lighted by hand. When lighting the pilot, follow these instructions exactly.
- B Smell all around the appliance area for gas. Be sure to smell next to the floor because some gas is heavier than air and will settle on the floor.
- WHAT TO DO IF YOU SMELL GAS**
- Do not try to light an appliance.
  - Do not touch any electrical switch; do not use any phone in your building.
- Immediately call your gas supplier from a neighbour's phone. Follow the gas supplier's instructions.
  - If you cannot reach your gas supplier, call the fire department.
- C Use only your hand to push or turn the gas control knob. Never use tools. If the knob will not push in or turn by hand, don't try to repair it. Call a qualified technician. Force or attempted repair may result in a fire or explosion.
- D Do not use the appliance if any part has been under water. Immediately call a qualified service technician to inspect the appliance and to replace any part of the control system which has been under water.

### LIGHTING INSTRUCTIONS

- Stop! Read the safety information above this label.
- Set the thermostat to lowest setting.
- Turn off all electrical power to the appliance.
- Locate valve under the burner assembly.
- If the control knob is not already in the off position, i.e. the word "OFF" in the 9 o'clock position, then push in the gas control knob slightly and turn ⤵ clockwise to "OFF". NOTE: Knob cannot be turned from "PILOT" to "OFF" unless knob is pushed in slightly. Do not use force.
- Wait five [5] minutes to clear out any gas. If you then smell gas. STOP! Follow "B" in the safety information above on this label. If you don't smell gas then go to the next step.
- Now push in the control knob slightly and turn ⤵ counter-clockwise to the "PILOT" position.
- Push in the control knob all the way and hold it. With the other hand push in the red ignitor button until you hear a click. Now observe closely the pilot burner located on the rear center-left hand side of the main burner. If a flame has appeared then continue to depress the control knob for 20 seconds. If the flame did not appear then continue to depress the red ignitor button every 5 seconds until a flame is established. NOTE: If after 30 seconds a flame has not yet been established then turn the control knob back to the off position and repeat steps 5, 6 & 7.
- Once the pilot has been established hold the control knob in the depressed position for approximately 25 seconds before releasing. If the flame goes out then repeat steps 7 and 8.
- Now turn the control knob to the "ON" position. The burner will not light unless the wall switch thermostat or remote control is turned "ON" or in the case of the thermostat there is a call for heat.
- Close the access door and turn all electrical power back to the appliance.

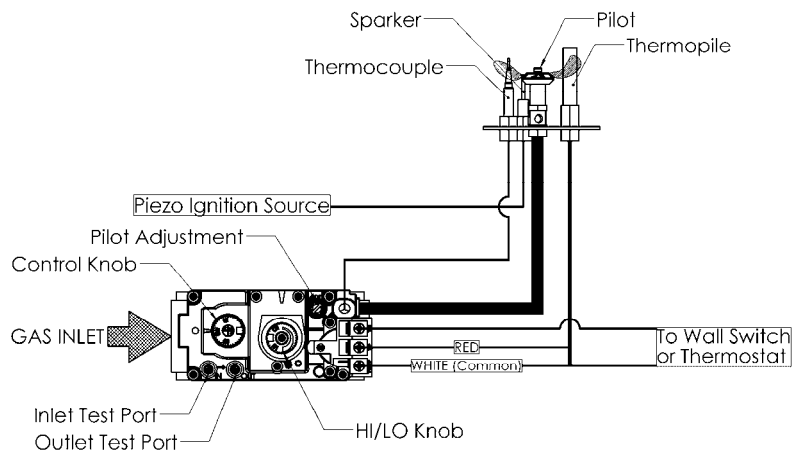
### TO TURN OFF THE APPLIANCE

- Set the thermostat to lowest setting.
- Turn off all electric power to the appliance if service is to be performed.
- Open the control access door.
- Push in the gas control knob slightly and turn ⤵ clockwise to the "OFF" position. Do not force.
- Replace control access panel.

Recommended Maximum Lead Length (Double Wire)  
When Using Wall Switch or Thermostat

Wire Size	Max. Length
14ga	100ft [30.4m]
16ga	64ft [19.5m]
18ga	40ft [12.1m]
20ga	25ft [7.6m]
22ga	15ft [4.5m]

**CAUTION: DO NOT WIRE 120V POWER TO MILLIVOLT SWITCHES OR THERMOSTAT.**



## Burner System Maintenance

It is recommended to annually inspect and clean the Burner System to prevent malfunction and / or sooting. This operation should be performed by your dealer or a qualified technician.

### ! -CAUTION-

Before servicing the burner system ensure that the gas supply is turned OFF and disconnect all electrical connections to the appliance. Allow the appliance to cool to room temperature. Note that the pilot assembly may be hot in an intermittent or standing-pilot system—even if the main burner was never on. Exercise caution when working within the area.

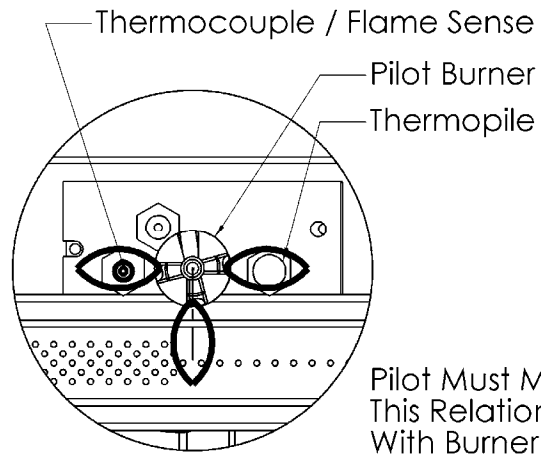
**-ALL WORK SHOULD BE PERFORMED BY A QUALIFIED AND CERTIFIED TECHNICIAN-**

### Monthly Flame Inspection

It is recommended to turn on the unit at least once a month and inspect the flame pattern to ensure there are no problems with the burner tube. The pilot flame should also be inspected monthly to ensure proper operation.



Flame should appear similar to the above picture.



Pilot Must Maintain This Relationship With Burner Tube.

## Conversion Kit Instructions – PART A

Kit Number	Description	Pilot Orifice	Burner Orifice Brass (1000-255)	Brass Nipple	Air Shutter	Hi/Lo Regulator
4224HB -CKLP 4228HB -CKLP 4232HB -CKLP	LP Conversion -Millivolt-	1001-P167SI <b>#30</b> (977.167)	#53 #52 #51	1000-253closed 1000-253closed 1000-P201VE	Fully Open Fully Open 5/16"	1001-P202SI (0.907.202)
4224HB -CKNG 4228HB -CKNG 4232HB -CKNG	NG Conversion -Millivolt-	1001-P165SI <b>#51</b> (977.165)	#42 #37 #36	1000-253closed 1000-253closed 1000-P201VE	1/8" 7/32" 3/16"	1001-P201SI (0.907.201)
4224HB -CKLPI 4228HB -CKLPI 4232HB -CKLPI	LP Conversion -IPI -	1001-P168SI <b>#35</b> (977.168)	#53 #52 #51	1000-253closed 1000-253closed 1000-P201VE	Fully Open Fully Open 5/16"	1002-P014SI (0.907.014)
4224HB -CKNGI 4228HB -CKNGI 4232HB -CKNGI	NG Conversion - IPI -	1001-P166SI <b>#62</b> (977.166)	#42 #37 #36	1000-253closed 1000-253closed 1000-P201VE	1/8" 7/32" 3/16"	1002-P016SI (0.907.016)


Refer to "Gas Specifications Chart" for inlet pressures and input ratings. Clock meter to verify input rate. Place conversion label as close to converted gas control as possible. Refer to lighting instructions to verify the normal operating sequence of the ignition system. **IMPORTANT:** Always check for gas leaks with a soap and water solution. **DO NOT USE OPEN FLAME FOR LEAK TESTING.**

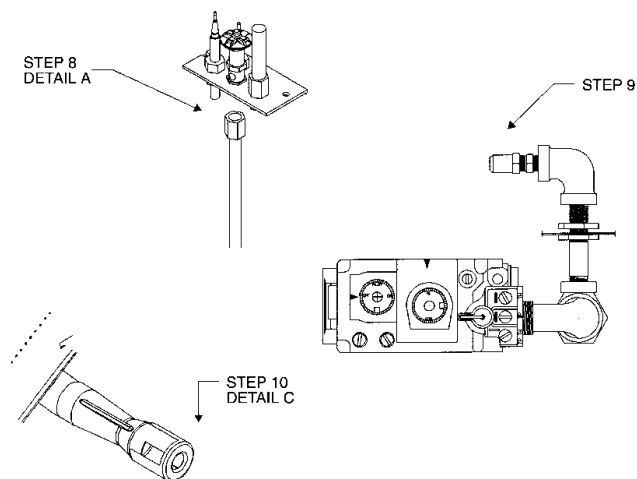
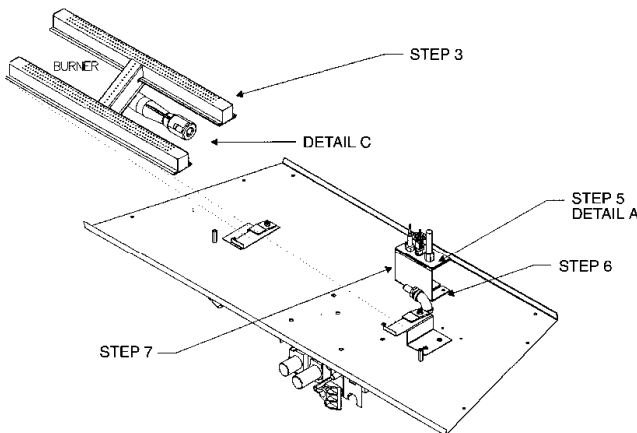
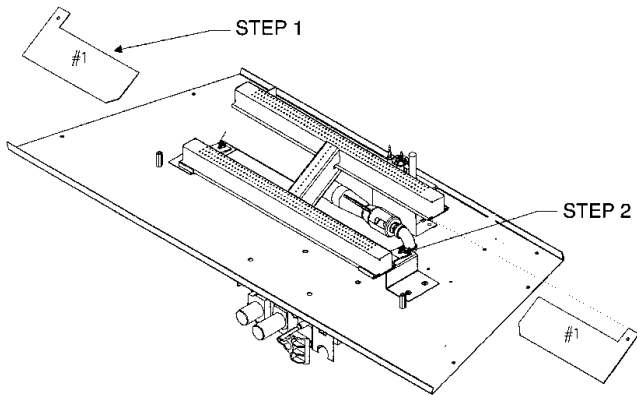
## Conversion Kit Instructions – PART A

### Caution:

The gas supply shall be shut off prior to disconnecting the electrical power, before proceeding with the conversion.

PLEASE CONFIRM THAT STEP 4 IS UNDERSTOOD BEFORE PROCEEDING WITH CONVERSION.

 **WARNING:** This conversion kit shall be installed by a qualified service agency in accordance with the manufacturer's instructions and all applicable codes and requirements of the authority having jurisdiction. If the information in these instructions is not followed exactly, a fire, explosion or production of carbon monoxide may result causing property damage, personal injury or loss of life. The qualified service agency is responsible for the proper installation of this kit. The installation is not proper and complete until the operation of the converted appliance is checked as specified in the manufacturer's instructions supplied with the kit.



1. Remove the 2 ember plates from the burner. This step may not be required, depending on the type of burner assembly.
2. Loosen the 2 screws holding the burner in place.
3. Slide the burner to the left to expose the orifice.
4. **Before going any further you need to verify which pilot system is in use. If there is a spring clip below the pilot hood then proceed to STEP 5 in PART B.**
5. Remove the 2 screws that hold the pilot to the bracket.
6. Remove the 2 screws that attach the pilot bracket to the firebox bottom.
7. Remove the pilot bracket to expose the pilot assembly.
8. Remove the pilot tube and nut from the pilot assembly using a 10mm wrench; slide the tube and nut down. You may have to tap the pilot hood lightly to release the pilot orifice. Place new pilot orifice into the pilot assembly and reinstall the pilot tube and nut. Tighten with wrench. Reinstall pilot bracket at this time.
9. Remove main orifice using a 1/2" wrench and replace with new conversion orifice.
10. Adjust the primary air setting to the correct setting as specified in the manual or label plate. To adjust the air setting, loosen the screw on the side of the tube and rotate to the correct opening using a drill bit or tape measure. Retighten screw. Reinstall burner at this time reversing STEPS 3, 2 and 1.
11. Follow instructions supplied with the conversion HI/LO to convert the valve from one type of fuel to the other.
12. Check for gas leaks around the pilot burner tube and face of valve.
13. Attach conversion label to label plate on bottom of unit, writing information as needed.

## Gas Conversion for Top Convertible Pilot (Series 019065X) – PART B

Instructions for converting SIT 190 series pilot burner injection from NG to LPG and from NG to LPG only. This information should be considered as supplemental to the Appliance Manufacturer's Instructions.

**WARNING:** The installation of this conversion kit must only be undertaken by a qualified and certified gas appliance installer.

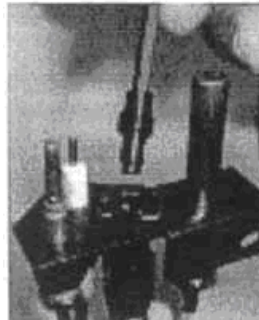
1. Shut off the gas supply to the appliance.
2. Allow the pilot burner to cool to room temperature.  
**WARNING: Touching a hot pilot burner can result in injury.**
3. The pilot hood is held in place by spring pressure. Remove the hood by pulling it directly up from the pilot bracket (a).
4. Insert a 5/32" or 4mm Allen wrench into the hexagonal key-way of the injector (b), and rotate it counter-clockwise until it is free of the injector journal (c).
5. Verify that the new injector is proper for the application. The injector size is stamped on the side of the injector near the top. LPG injectors have a groove machined around their circumference near the top, while NG injectors do not have a groove (e). Refer to the Appliance Manufacturers instruction sheet for the proper injector size.
6. Insert the Allen wrench into the end of the injector. Then, insert into injector journal, and rotate the injector clockwise until a torque of 9 in-lbs is achieved.
7. Replace the pilot hood by aligning the tab on the base of the hood with the slot in the side of the pilot journal, and push the hood down, directly onto the pilot bracket (d). The hood must sit squarely on the bracket for proper operation. Check to insure that the hood is properly seated onto the pilot bracket.



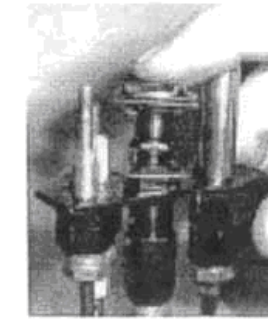
(a)



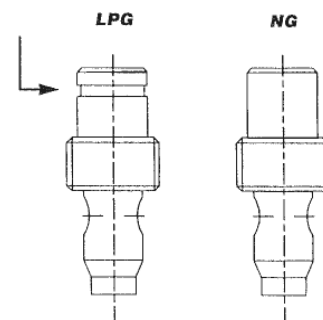
(b)



(c)



(d)



(e)



**WARNING:** This conversion kit must only be applied as part of a conversion kit supplied by the appliance Manufacturer for the specific appliance, and type of gas being converted.

**INSTALLER NOTICE:** These instructions must be left with appliance.

# installation instructions

7 252 136

## 820 NOVA mV

### Modulating Conversion Kit

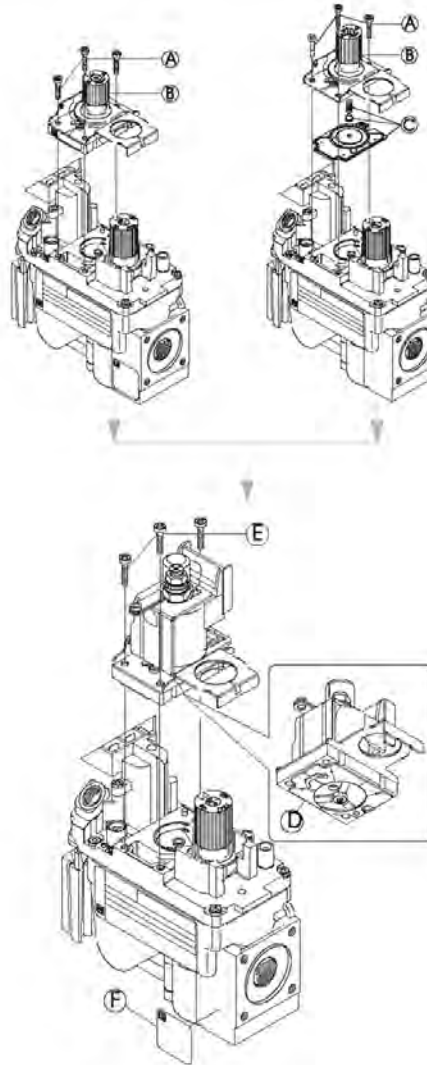


**-WARNING!**

The installation of this conversion kit must only be undertaken by a qualified and certified gas appliance installer.

**MODULATING PRESSURE REGULATOR CONVERSION KIT INSTALLATION OR REPLACEMENT INSTRUCTIONS.**

- 1 Turn control knob to the OFF position, and shut off the gas supply to the valve.
- 2 Using a Torx T20, or slotted screwdriver, remove and discard the three pressure regulator mounting screws (A), pressure regulator tower (B), and the spring and diaphragm assembly (C) (if applicable)
- 3 Insure that the rubber gasket (D) is properly positioned and install the new modulating pressure regulator assembly to the valve using the new screws (E) supplied with the kit. Tighten screws securely. (Reference torque = 25 In.Lb.)
- 4 Install the enclosed identification label (F) to the valve body where it can be easily seen.
- 5 Apply gas to system and re-light appliance according to manufacturers instructions.
- 6 With the main burner "ON", test the new pressure regulator assembly for leaks using a soap solution.
- 7 Relight the main burner in both the HI and LO positions, and verify proper burner ignition and operation.



**-WARNING!**

This modulating conversion kit must ONLY be applied as part of a conversion kit supplied by the APPLIANCE MANUFACTURER for the specific appliance, and type of gas, being converted.

**INSTALLER NOTICE.** These instructions must be left with appliance.



**SIT Group**

# IPI Electronic Ignition System

## Overview

The IPI system is an advanced burner controller that provides you with the option of having either a Standing-Pilot, or an intermittent igniting system. This alternating mode is controlled by the CPI/IPI Switch (Continuous Pilot Ignition/Intermittent Pilot Ignition) located on the IPI System Box. The difference between a Standing-Pilot and an Intermittent-Pilot is in whether the pilot stays lit or shuts off:

In Standing-Pilot, the pilot assembly is lit by the IPI Main Module and continues to stay lit until 1) the CPI/IPI Switch is switched to the IPI position; 2) a loss of electrical power (battery and AC source), 3) the flame sensor loses its signal, 4) the fuel supply discontinues, or 5) the IPI Main Module malfunctions.

In the Intermittent-Pilot mode, the pilot shuts off when the appliance is not in use. The advantage of this mode is that fuel is not consumed when the fireplace is not operating.

NOTE: In some jurisdiction, Intermittent-Pilot is required. That means the pilot cannot remain lit when the appliance is not operating.

## Components

The core of the IPI system is the Main Module and the IPI Valve. With these two components the system is able to operate a gas fireplace. There are also other components available to complement the IPI system.

**IPI System Cover:** Is essential in keeping the components at their proper operating temperatures. **DO NOT OPERATE THE APPLIANCE WITHOUT THIS COVER.**

**Modulating Servo Motor:** Is an add-on valve component that permits HI/LO functionality to be controlled by the remote. Contrary to this feature is a Manual HI/LO Control Knob. The Modulating Servo Motor requires the Remote system to be present.

**Backup Battery Pack:** This component permits the IPI system to operate without the need for an external AC Adapter power source. The advantage to using the battery backup is that in the case of a power failure, the appliance is still

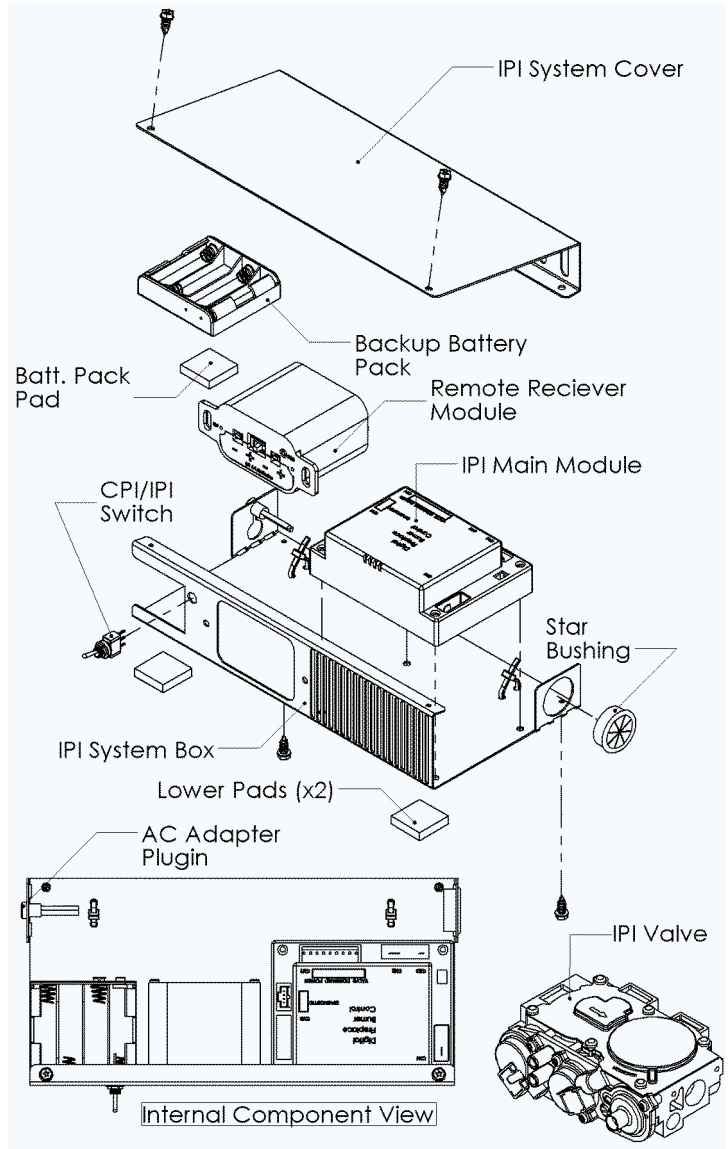
**NOTE:** In certain instances the IPI Main Module requires resetting. This can occur if the system is unable to ignite the pilot or the main burner in the allotted time period. The IPI is programmed to lockout all commands. To reset this lockout you must deplete the system of all electrical power. This means to remove the batteries from the Battery Pack, remove the batteries from the Remote Receiver (if applicable), and disconnect the AC Adapter from the system. Leave the power off for approximately 25 seconds to clear its lockout.

operable.

**Remote Receiver:** This component provides the capability of controlling the appliance with a wireless remote transmitter. There are two switches to note on the receiver module:

The first switch on the Remote Receiver module is a 3-position slide switch. This switch is used to either manually turn the main burner ON, activate the receiver to begin communication with the transmitter, or turn the main burner completely OFF. The position of the slide switch designates these functions respectively.

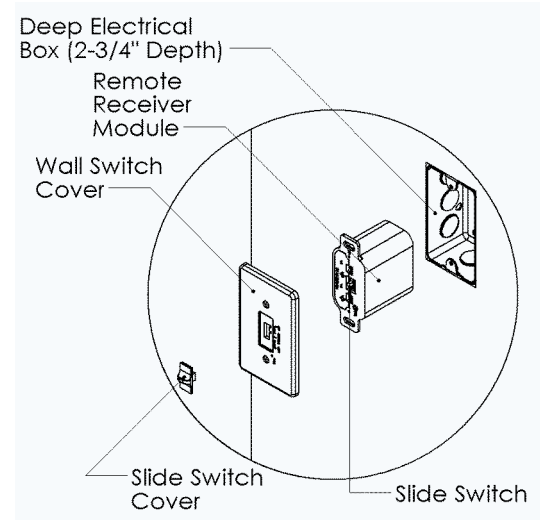
The second is the small round pushbutton [PRG] used for programming the receiver to respond to a designated remote. Therefore to program the system ensure that the transmitter is first turned OFF. Then, ensure that there is sufficient electrical power going to the Receiver module and a fresh set of batteries in the transmitter. Now switch the



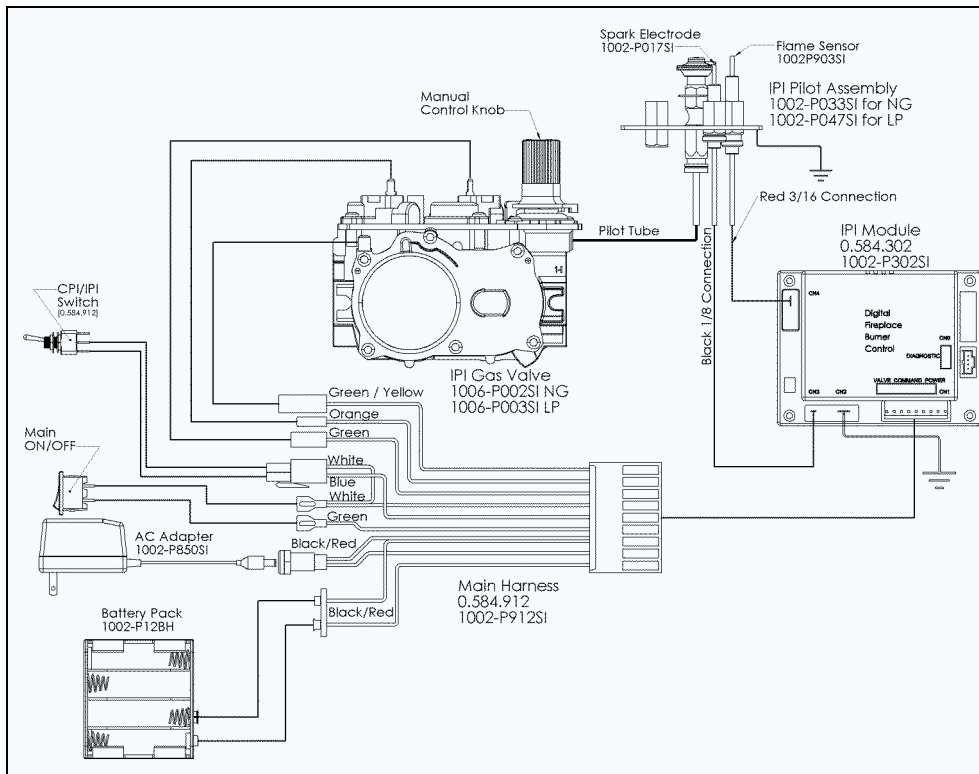
the slide switch to the middle [REMOTE] position and then push the small pushbutton to begin programming. Bring the transmitter close to the receiver and then press the power button [R] on the transmitter. An audible beep will sound to indicate the system is programmed and ready to be used.

**NOTE:** The Remote Receiver module can also be located outside of the appliance to a maximum of 6ft away installed in a certified deep wall switch electrical box (2-3/4" depth). For this configuration an extension wiring harness (P/N: 1001-P904SI) is required.

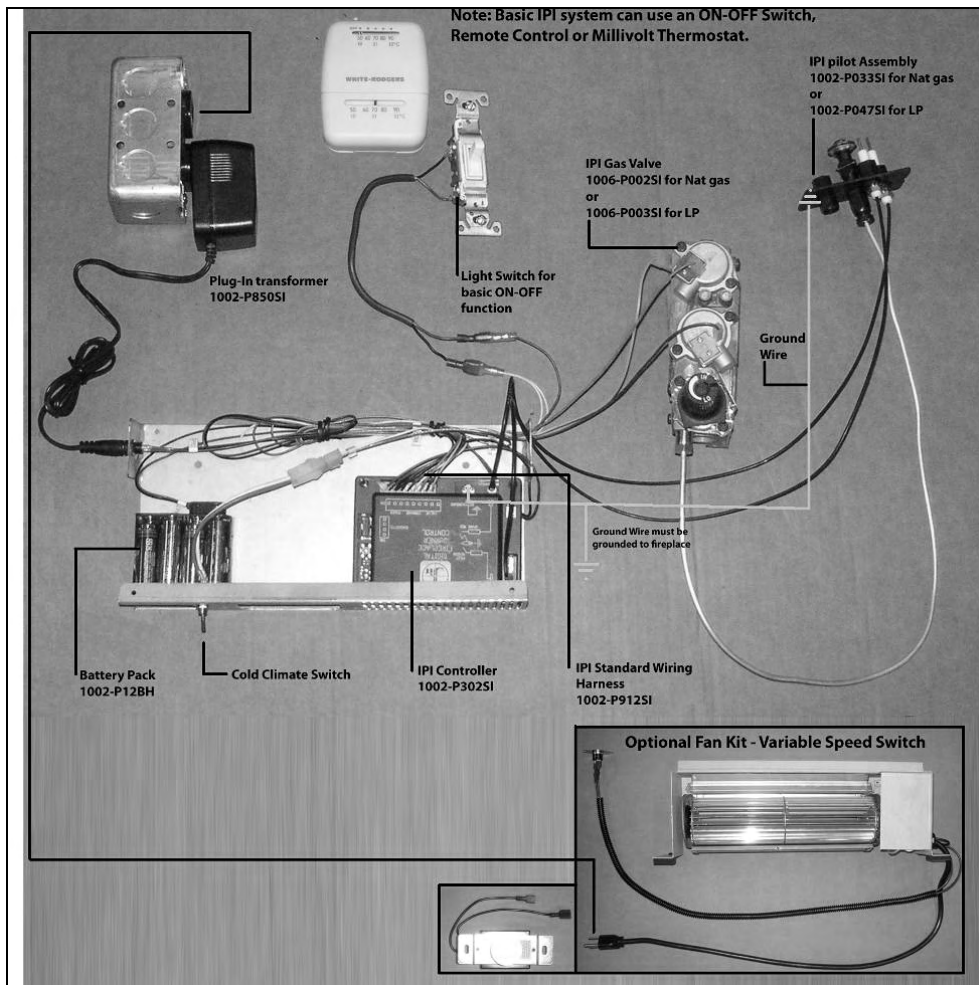
Electrical Supply in Series: The entire IPI system can be powered by a single power source (i.e. by the AC Adapter). This is advantageous if you do not want to supply extra batteries. To achieve this simply connect the AC Adapter into the Remote Control wiring harness instead of the main IPI harness. From the Remote wiring harness, use its male plug-in connector and connect it to the female plug-in in the main IPI harness. Now the circuit is complete. So the way it works is that electrical power is supplied to the Remote Receiver module and then proceeds to the Main IPI module. Furthermore, note that a Backup Battery Pack is not required in this configuration. Instead, batteries in the Remote Receiver act as the backup supply.

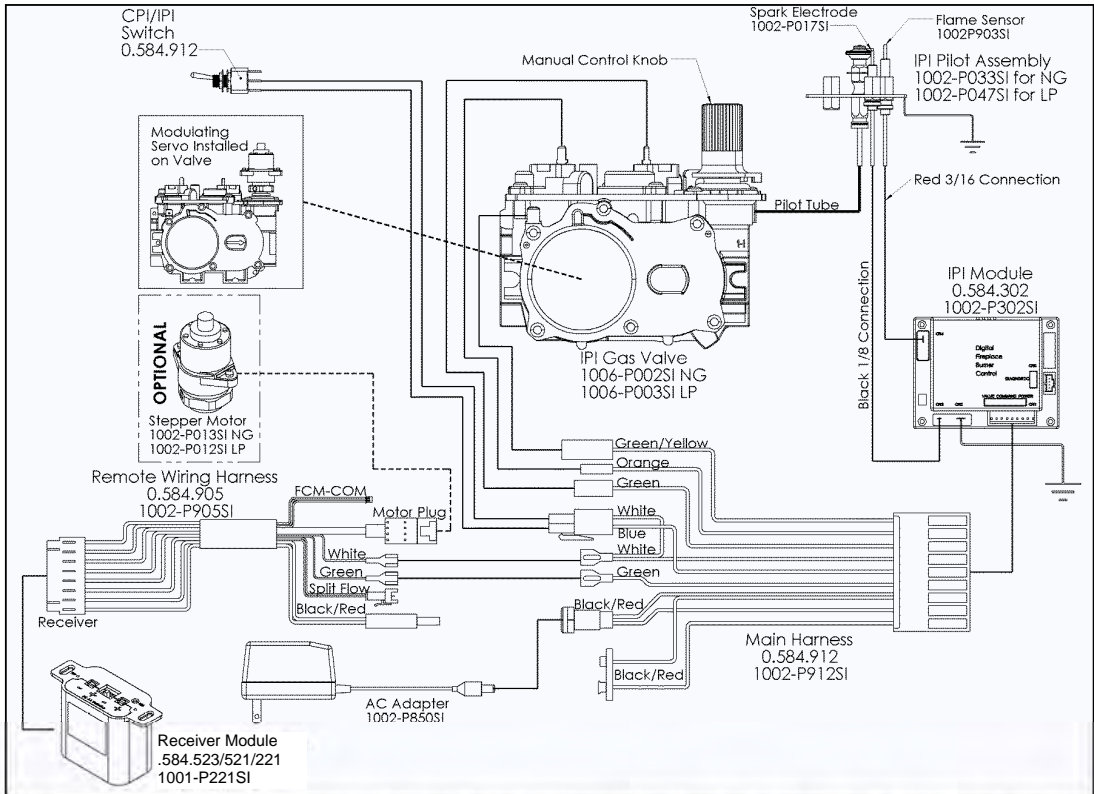




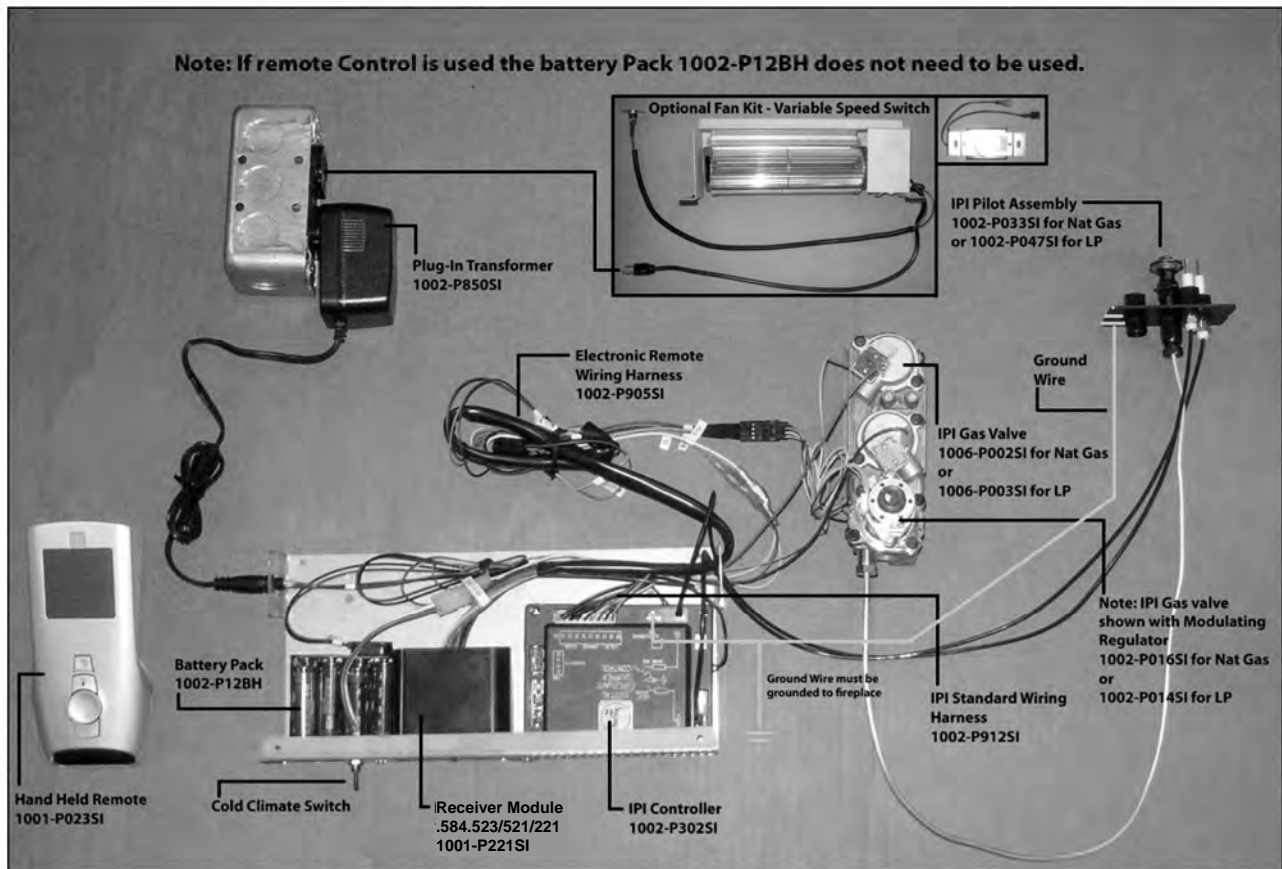


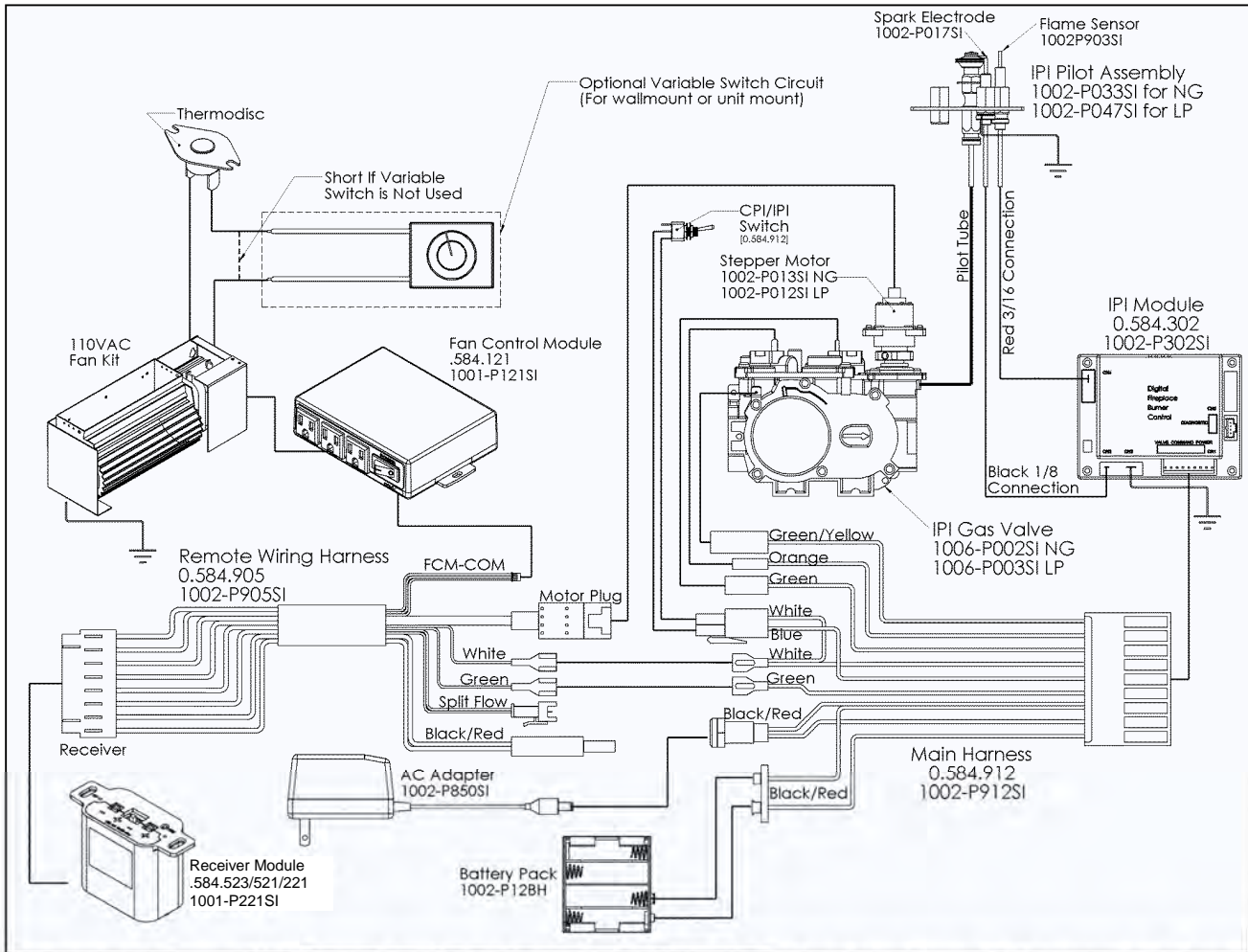
Configuration #1: Basic manual HI/LO and manual ON/OFF capabilities.



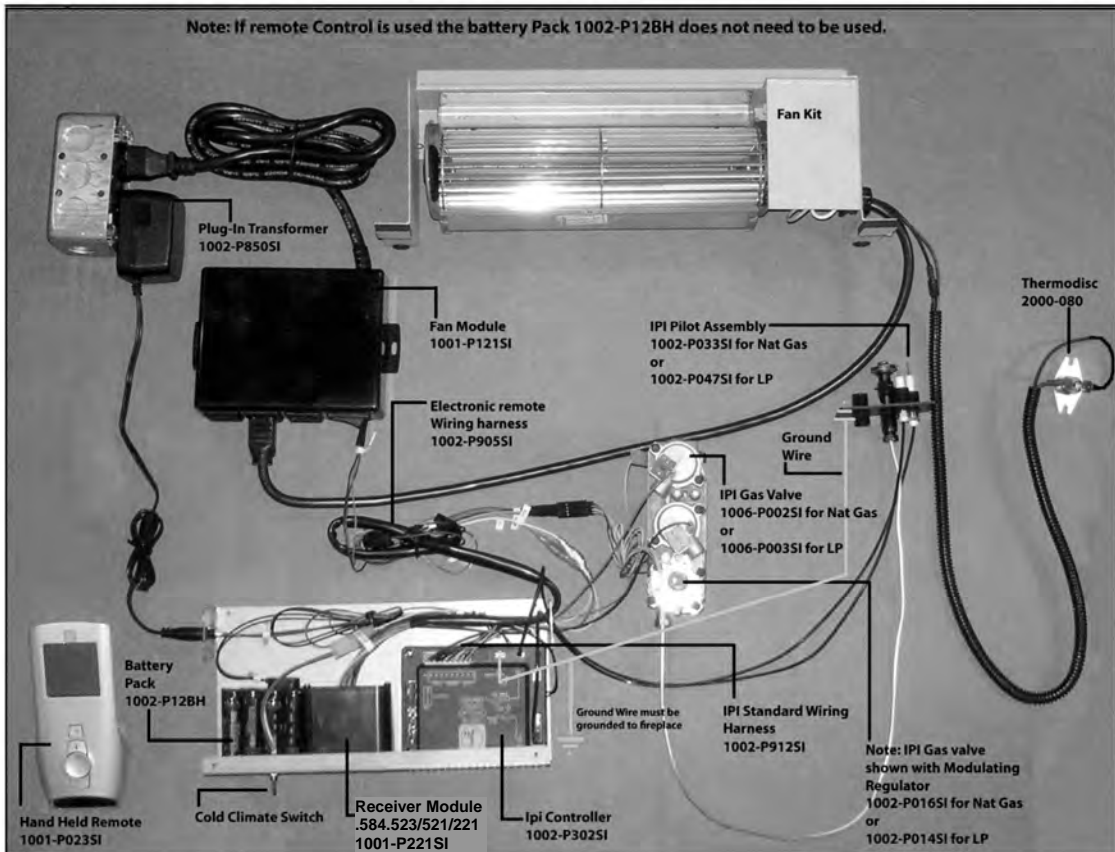


Configuration #2: Remote ON/OFF and manual HI/LO capabilities. OPTIONAL: For units with remote HI/LO capabilities, a modulating servo is required to be installed on the valve. The connectors to this servo must be connected to the Remote Harness as shown in the figure above.





Configuration #3: Remote ON/OFF, variable HI/LO, and fan capabilities. Refer to the Fan Installation/Removal Guide section for fan installation.



## IPI Lighting Instructions



### WARNING

1. If you do not follow these instructions exactly, a fire or explosion may result causing property damage, personal injury or loss of life.
2. Always light the pilot whether for the first time or if the gas supply has ran out with the glass door opened or removed.

### FOR YOUR SAFETY READ BEFORE LIGHTING



- A. This fireplace is equipped with an ignition device which automatically lights the pilot. Do not try to light by hand.
- B. Before operating smell all around the fireplace area for gas and next to the floor because some gas is heavier than air and will settle on the floor.
- C. Do not use this fireplace if any part has been under water. Immediately call a qualified service technician to inspect the fireplace and replace any part of the control system and any gas control which has been under water



### WHAT TO DO IF YOU SMELL GAS

- |  |  |
|--|--|
| <ol style="list-style-type: none"><li>1. Turn off all gas to the fireplace.</li><li>2. Open windows.</li><li>3. Do not try to light any appliance.</li><li>4. Do not touch any electric switch; do not use any phone in your building.</li></ol> | <ol style="list-style-type: none"><li>5. Immediately call your gas supplier from a neighbor's phone. Follow the gas supplier's instructions.</li><li>6. If you cannot reach your gas supplier, call the fire department.</li></ol> |
|--|--|

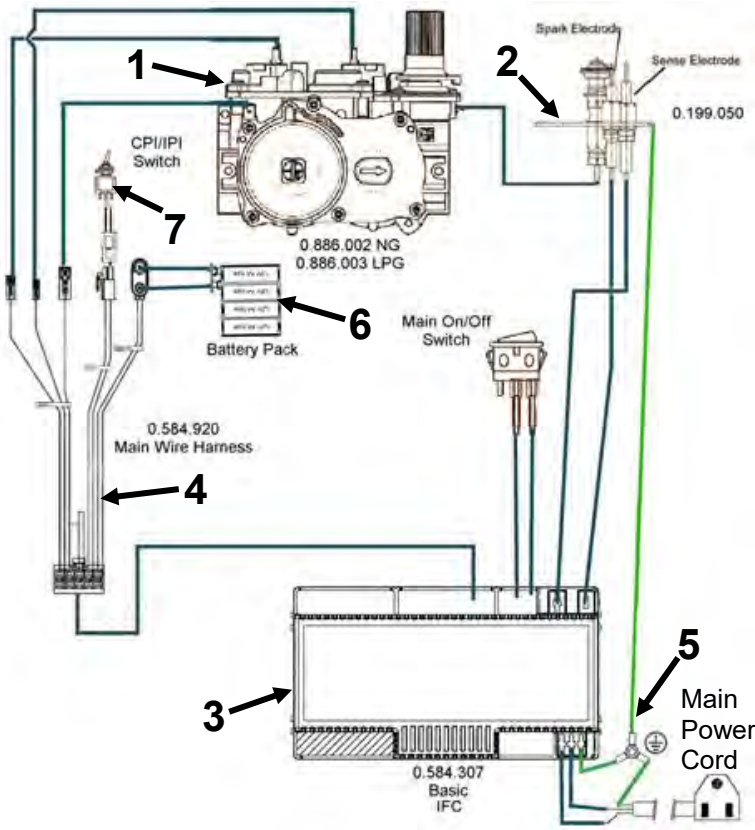
### LIGHTING INSTRUCTIONS

1. STOP! Read the above safety information on this label.
2. Remove batteries from Receiver and/or Battery Backup Pack.
3. Turn off all electric power to the fireplace.
4. This fireplace is equipped with an ignition device which automatically lights the pilot. Do not try to light the pilot by hand.
5. Open the glass door.
6. Turn manual shutoff valve clockwise  to OFF position (located behind the access panel).
7. Wait five [5] minutes to clear out any gas. If you smell gas including near the floor, STOP! Follow "B" in the above safety information on this label. If you don't smell gas go to the next step.
8. Turn manual shutoff valve counter-clockwise  to ON position.
9. Close the glass door.
10. Turn on all electric power to the fireplace, and re-install batteries into the Transmitter/Receiver and/or Battery Backup Pack.
11. Turn ON the switch that operates the Main Burner. If using a Remote Control refer to Remote Control Operation Manual for activation.

### TO TURN OFF GAS

1. Turn OFF all electric power to the fireplace if service is to be performed, including removing batteries from the Remote Transmitter/Receiver and/or Battery Backup Pack.
2. Access door inside the firebox must be removed to access the manual shutoff valve.
3. If alternate shut-off valve was installed it can be shutoff instead of going through the fireplace to access the fireplace shut off valve.

# Proflame 2- Parts List- Basic System, Parts List, Configuration GTMFL



ITEM NO.	PART NUMBER	DESCRIPTION
1.	1005-P001si	IPI Valve NG with Stepper Motor 885.001
	1005-P002si	IPI Valve LP with Stepper Motor 885.001
	1006-P002si	IPI Valve NG Hi / Lo
	1006-P003si	IPI Valve LP Hi / Lo
2.	1002-P033si	Pilot NG IPI 199.059
3.	1005-P325si	Module IPI PF2 584.325
	1006-P307si	Integrated Fireplace Control (Basic) 0.584.307
4.	1006-P920si	Wire harness (Valve, APS connection Jumped, CPI connection) 0.584.920
5.	584-PWR-C	Wire Harness PF2 Main Power Cord
6.	1002-P12BH	Battery Housing
7.	1006-P921si	Wire harness for Split flow 0.584.921 (Not available)
8.	1005-P2SCH	Label – PF2 Schematic Decal
9.	584-X12	Power Vent Harness
10.	584-X4P	Connector- ON/OFF Jumper PF2 651-1766990
11.	584-ACC01-C	Wire Harness PF2
12.	584-X10	Wire Harness PF2 - Accessories
13.	1005-P924si	Harness PF2 IPI 584.924
14.	1005-P042si	Transmitter PF2 584.042
15.	1001-P591si	Battery AAA 658-LR03XWA Transmitter

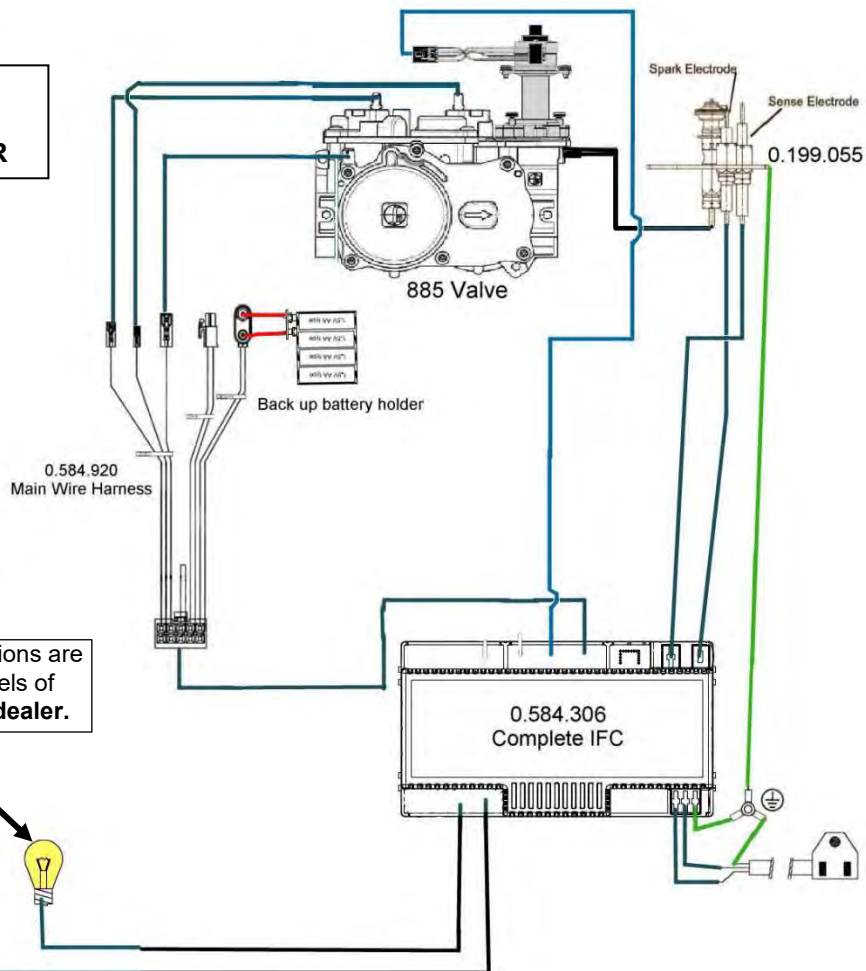
## Proflame 2 System Configuration:

**GTMFL SHIPS WITH REMOTE CONTROL TRANSMITTER**

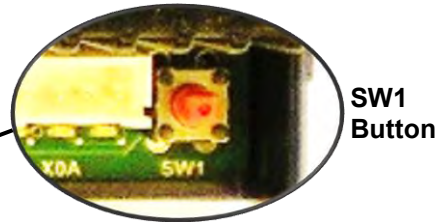
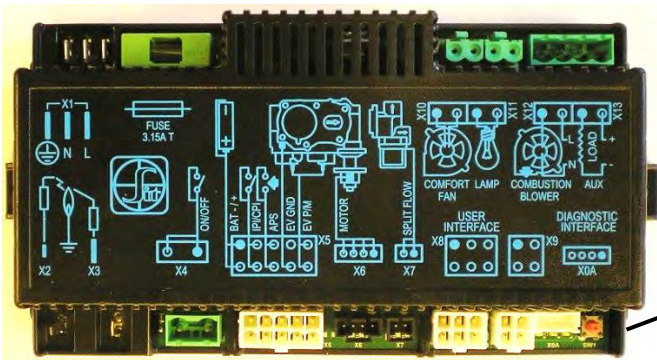


Proflame Transmitter 0.584.0XX

**NOTE:** Fan and / or Light Options are not available on some models of fireplace. **Check with your dealer.**



# Proflame 2 Remote Control



## Pairing Remote Control:

- Install the 3 AAA type batteries in the battery bay, located on the base of the Remote Control. Note polarity of the batteries and insert them as indicated.
- Connect the AC power supply to the IFC.
- Press the SW1 button on the IFC module so the IFC will “beep” and a red LED is illuminated to indicate that the IFC is ready to synchronize with a Remote Control within 10 seconds. With the batteries already installed in the Remote Control, push the ON button. The receiver will “beep” four times to indicate the Remote Control’s command is accepted.

The system is now initialized.

## Resetting Proflame II Module for Manual Use

Should the transmitter get misplaced, broken or not wanted the PF2 Module can be reset to a manual system. A manual on/off switch or thermostat may be installed at the X4 connector (this connection is Jumped at the factory) no power is required.

The following sequence must be followed to reset the PF2 Module:

- Press the Red **SW1** button until you hear three beeps.

- Within 10 seconds press the **SW1** button again until you hear it beep.
- The PF2 module may now be turned on/off manually (x4 connector) by a switch (not supplied), the pilot will remain on CPI (continuous pilot ignition) mode, all other functions of main burner, fan and lights will be on the high setting.

## Fan Startup and Shutdown Timings:

Fan setting is started with a delay of 5 minutes from the fireplace ignition and stopped with a delay of 12 minutes from the fireplace switching off.

## Low battery power detection

When the Remote Control’s batteries are low, a Battery Icon will appear on the LCD display before all power is lost. When the batteries are replaced this icon will disappear.

## Battery backup

The PF2 module is powered by line voltage (AC) with provision of battery backup in case of main power loss. Fans and lighting features will not function with the PF2 module is powered by battery backup. It is recommended that the 4 x AA batteries are changed before each heating season.

## Cold Climates – CPI Setting - Proflame 2 Remote Control

Use the **CPI setting** during cold weather, otherwise the fireplace may have a hard time starting up and establishing a flame.

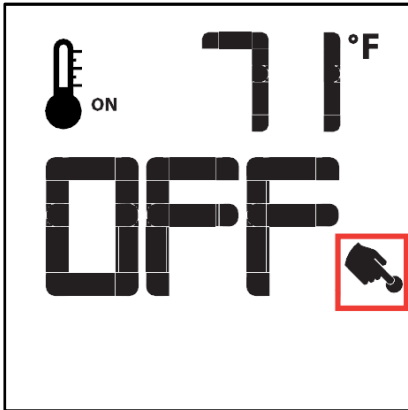
The **CPI** (Continuous Pilot Ignition) setting will keep the firebox and fireplace exhaust vent warm during cold weather. When the firebox and exhaust vent are warm, exhaust gasses will readily flow out of the firebox.

If the firebox and venting are too cold, there is resistance due to the heavy cushion of cold air, and combustion gasses may not rise into the exhaust vent, thus causing the fireplace to cycle or **Lockout** (if this happens see **Lockout Reset Procedures** below).

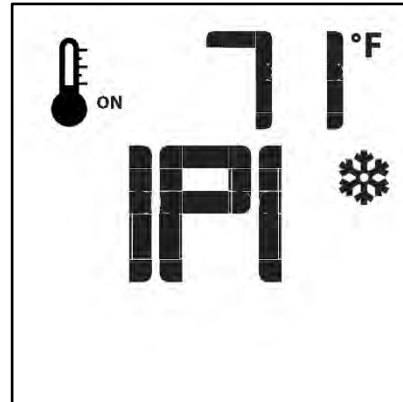


### To switch from IPI to CPI Mode:

1. Turn the fireplace OFF using the **ON / OFF Key**.



2. Press the **Mode Key**. Display will appear as below.



3. Press UP on the **UP / DOWN Arrow Key**.

Display will show **CPI**.

The module in the fireplace will beep once to confirm command.



### TO RETURN TO IPI (INTERMITTENT PILOT) MODE:

Repeat steps one and two, and then press DOWN on the **UP / DOWN Arrow Key**.

The module in the fireplace will beep once to confirm command.

## Lockout Reset Procedures – Proflame 2

If the fireplace has cycled too many times in a short period of time, it will shut down and become unresponsive to any new command. The LED light on the Proflame 2 module in the fireplace will be flashing red.

This condition is a **Lockout** state.

### Lockout Reset Procedure:

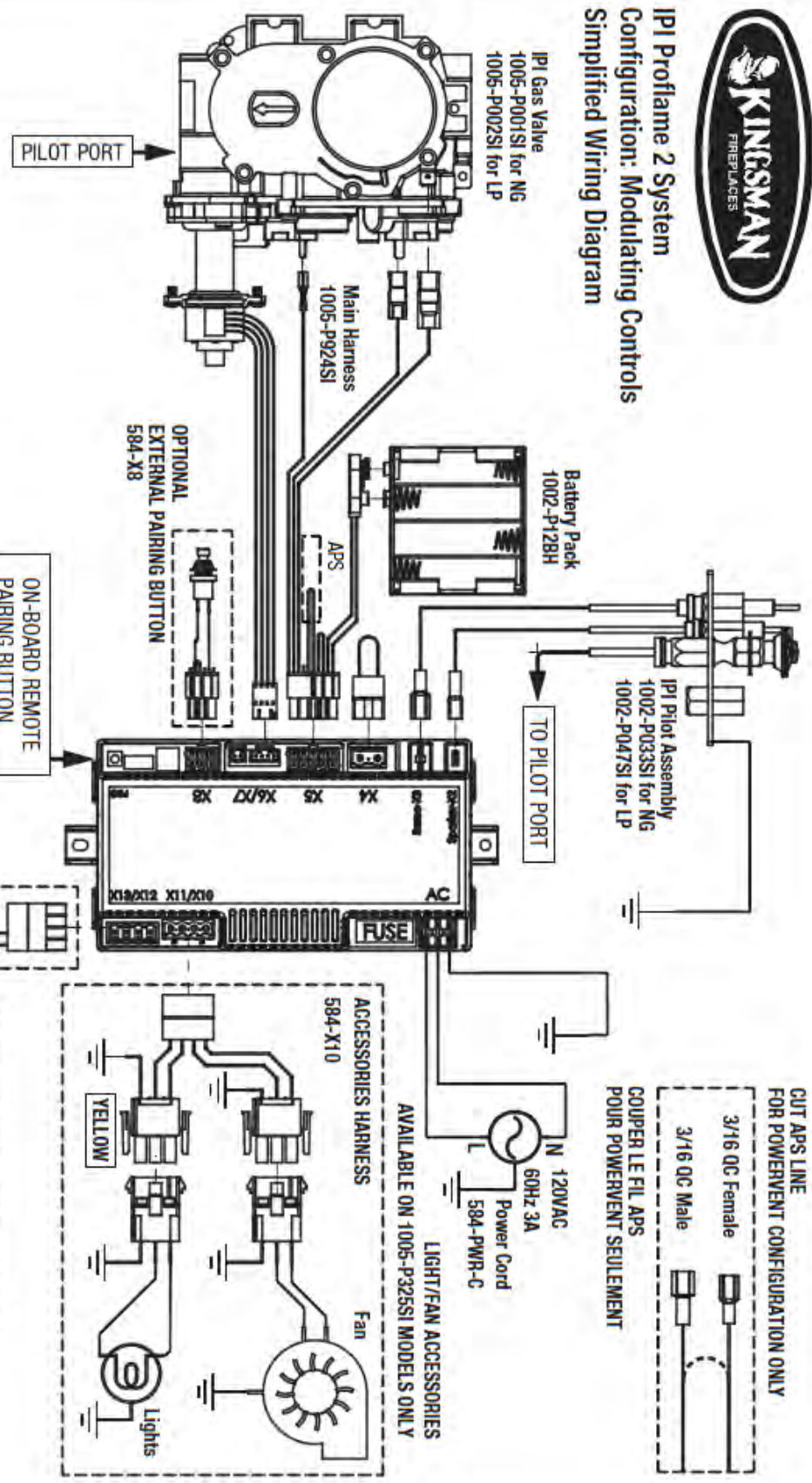
**Disconnect power** from the Proflame 2 module in the fireplace for 10 seconds. This includes removing the **backup batteries**.

Once the 10 second interval has passed, reconnect power and reinstall backup batteries. The pilot should now try to light.

If the fireplace does not come on, call your fireplace technician.



# IPI Proflame 2 System Configuration: Modulating Controls Simplified Wiring Diagram

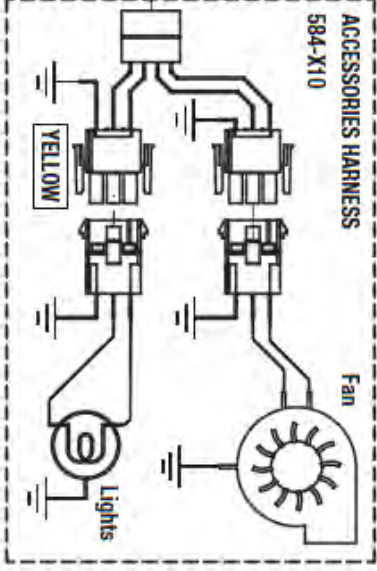
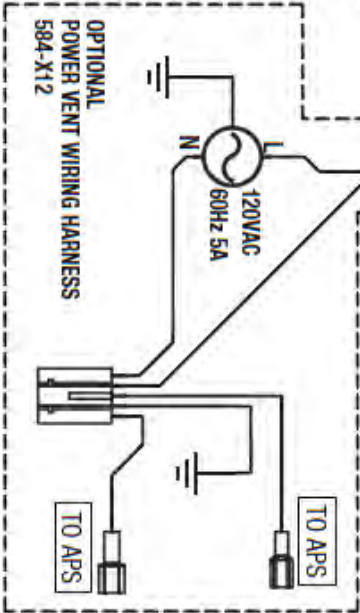
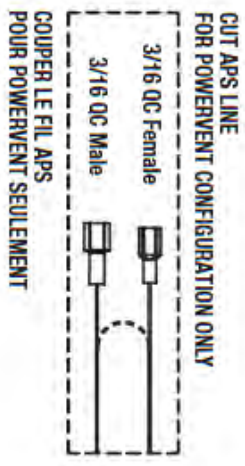


Manufactured by: Kingsman Fireplaces  
2340 Logan Avenue  
Winnipeg, MB R2R 2V3

For use with all Kingsman manufactured IPI Proflame 2 models, for all types of gas noted on rating plate. Supply 120VAC 60Hz 3A, 6 volts battery backup.

Pour utilisation avec tous les modèles IPI Proflame 2 fabriqués par Kingsman, pour tous les types de gaz noté sur la plaque signalétique. Voltage d'alimentation: 120VAC 60Hz 3A et 6 volts pour le bloc-piles de secours.

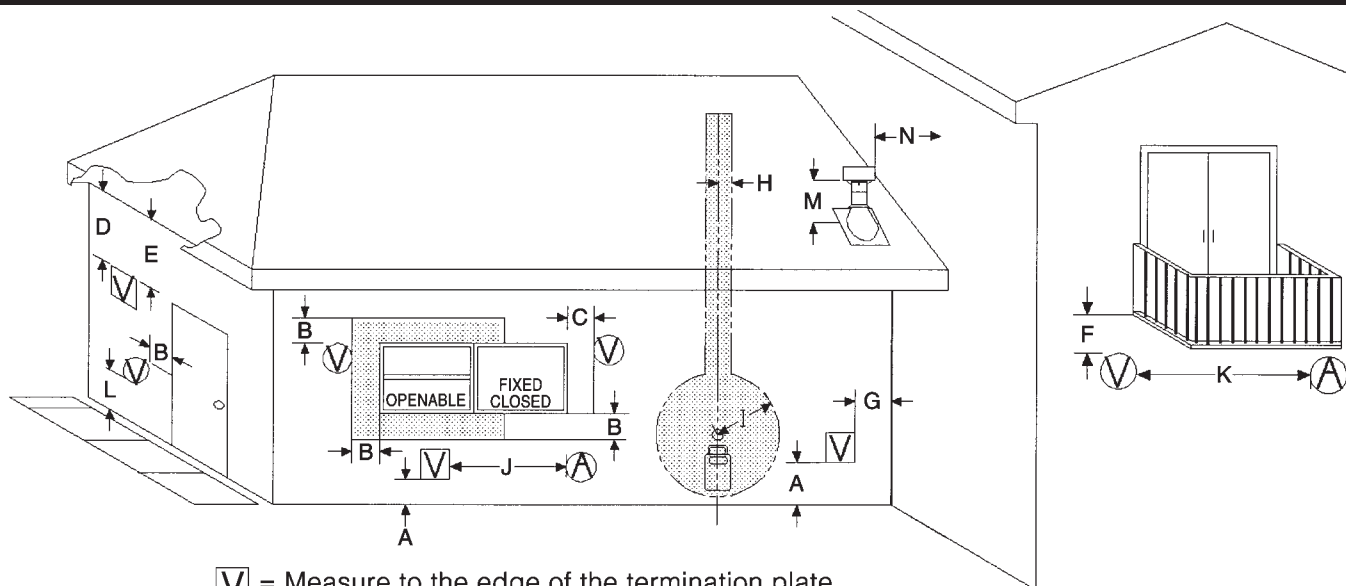
This component should be installed by a qualified service agency.  
Ce composante doit être installée par une entreprise de service qualifiée.



Part #1005-P2SC4



# Vent Termination



∇ = Measure to the edge of the termination plate.

○ = Measure to the edge of the round termination.

∇ Vent Terminal

○ Air Supply

■ Area Where Terminal Not Permitted.

A - Clearance above grade, veranda, porch, deck, or balcony 12 inches (30cm) minimum.<sup>1,2</sup>

B - Clearance to window or door that may be opened. 12 inches (30cm) minimum for appliances 100 000 Btuh (30 kW) and lower, in Canada. 9 inches<sub>2</sub> (23cm) for appliances 50 000 Btuh and lower, in USA.

C - Clearance to permanently closed window minimum 12 inches (30cm) recommended to prevent condensation on window, in Canada. 9 inches<sub>2</sub> (23cm) for appliances 50 000 Btuh and lower, in USA.

D - Vertical clearance to ventilated soffit located above the termination within a horizontal distance of 2 feet (60cm) from the center line of the termination. 18 inches (46cm) minimum.<sup>5</sup>

E - Clearance to unventilated soffit 12 inches (30cm) minimum.

F - Clearance under veranda, porch, deck or balcony 12 inches, (30cm) minimum.<sup>4</sup> US<sub>5</sub>

G - Clearance from a perpendicular inside wall or outer corner to the edge of the vent terminal plate is 3" (minimum).

H - Clearance to each side of center line extended above meter/regulator assembly 3 feet (91cm) within a height 15 feet (4.5m) above the meter/regulator assembly.

I - Clearance to service regulator vent outlet 3 feet (91cm) minimum.<sup>1</sup> US<sub>5</sub>

J - Clearance to non-mechanical air supply inlet to building or the combustion air inlet to any other appliance: In Canada, 6 inches (15cm) for appliances ≤10,000 Btuh (3kW), 12 inches, (30cm) minimum for appliances >10,000 Btuh (3kW) and ≤100,000 Btuh (30kW), 36 inches (91cm) for appliances >100,000 Btuh (30kW). In the USA, 6 inches<sub>2</sub> (15cm) for appliances ≤10,000 Btuh (3kW), 9 inches (23cm) for appliances >10,000 Btuh (3kW) and ≤50,000 Btuh (15kW), 12 inches (30cm) for appliances >50,000 Btuh (15kW).

K - Clearance to a mechanical air supply inlet 6 feet (1.8m) minimum.<sup>1</sup>, in Canada, 3 feet (91cm) above if within 10 feet<sub>2</sub> (3m) horizontally.

L - Clearance above paved sidewalk or a paved driveway located on public property 7 feet (2.1m) minimum.<sup>3</sup>

M - Clearance above highest point of exit on roof 18 inches (45cm).

N - Clearance to perpendicular wall 24 inches (60 cm). (Recommended to prevent re-circulation of exhaust products. For additional requirements check local codes.)

**NOTE: Clearances are to the edge of terminal plate, add 6-3/4" to clearances to arrive at center line.**

**NOTE: Local Codes or Regulations may require different clearances.**

## Termination

It is imperative that the vent termination be located observing the minimum clearances as shown. There must not be any obstruction such as bushes, garden sheds, fences, decks or utility buildings within 24" from the front of the termination plate.

Do not locate termination where excessive snow or ice build-up may occur. Be sure to check vent termination area after snow falls and clear to prevent accidental blockage of venting system. When using snow blowers, make sure snow is not directed towards vent termination area.

## General Venting Information

The gas fireplace is approved to be vented either through the side wall or vertically through the roof.

This appliance is approved with Kingsman flex vent system and also approved for use with Simpson Duravent Direct Vent System (model DV-GS series), AmeriVent Direct Vent Pipe System and Selkirk Direct Temp.

Kingsman flex vent system can be used with Simpson Duravent Direct Vent termination's (model DV-GS series).

When using Simpson Duravent, AmeriVent Direct Vent pipe, or Selkirk Direct Temp a Kingsman/Duravent adapter must be used.

**ONLY VENTING COMPONENTS SPECIFICALLY APPROVED AND LABELED FOR THIS FIREPLACE MAY BE USED.**

Minimum clearance to combustibles on venting is 1" with the following exceptions: Top of horizontal 1 1/2". Top of 90 degree elbow in enclosures under 45" to 46" is 5". Top of 90 degree elbow in an enclosure over 46" is 2 1/2". See pages 7, 8 & 9.

Venting terminal shall not be recessed into a wall or siding. If finishing the outside wall with vinyl or wood siding it is recommended that a Siding Shield be installed, Part Number ZDVSSLR.

1 - In accordance with the current *CSA B149.1, Natural Gas and Propane Code*.

2 - In accordance with the current *ANSI Z223.1/NFPA 54, National Fuel Gas Code*.

3 - A vent shall not terminate directly above a sidewalk or paved driveway that is located between two single family dwellings and serves both dwellings.

4 - Permitted only if veranda, porch, deck, or balcony is fully open on a minimum of two sides beneath the floor.

5 - Clearance in accordance with local installation codes and the requirements of the gas supplier.

## General Vent Installation Information

This gas appliance is approved to be vented either through the side wall or vertically through the roof. **Only Kingsman Flex(Z-Flex)Venting Kits and components specifically approved and LABELED for this stove may be used.** This appliance is also approved for use with Simpson-Duravent Direct Vent system (Model DV-GS Series), Ameri-Vent Direct Vent Pipe System, ICC Excel Direct, Metal Fab Sure-Seal DV and Selkirk Direct Temp.

### RIGID OR HARD PIPE

When using Simpson Duravent, AmeriVent pipe, ICC Excel Direct, Metal Fab Sure-Seal DV and or Selkirk Direct Temp a Duravent hardpipe adapter must be used (**part # ZDVDA for fireplaces and part # ZDVDA for Stoves, Serenity and ZDV3624B**). Follow installation instructions provided by Simpson Duravent/AmeriVent/Selkirk Direct Temp, ICC Excel Direct, Metal Fab Sure-Seal DV for installation of pipe and adhere to the clearance to combustibles provided in this manual. Apply a bead of Mill Pac high temp sealant to all joints of pipes, adapters and termination, when using Kingsman Flex(Z-Flex)Venting venting and Simpson Duravent venting.



**WARNING:** DO NOT mix parts from different systems unless stated in the manual.

### Flex Pipe Venting

Kingsman Flex pipe is shipped in unexpanded length. When installing pipe expand the lengths. Pipe can be expanded to twice their lengths e.g. 4ft. to 8ft. Fully expand pipe and cut off excess.

Do not use more than 2 couplers to extend short pipes. Single sections are preferred in an installation attaching at the fireplace and termination.

Place the spring spaces provided approximately every two feet to stabilize 4" flex in the center of 7" flex. When forming bends place spring in bend or before and after. (See Fig. 1).

Horizontal runs require support metal straps every 2 feet. In off set installation support straps should be used to stabilize pipe.

Expand 4" and 7" flex pipe to the point that the 7" protrudes approximately 2 to 3 inches past outer wall and the 4" flex protrudes approximately 2 to 3 inches past the 7" flex. See Fig. 1. Attach the 4" pipe to the termination first and secure with sealant and four screws then attach the 7" flex to the termination with caulking and four screws. Termination may then be moved back to the outer wall and attached to home screwing into the framing. Silicone around termination to waterproof. If siding shield is going to be used attach this using same attaching hole as the top of termination after termination has been caulked for water proofing.

### Use Hi Temp Sealant

Apply a bead of mill pac high temp sealant to all joints and use four screws to secure each pipe at fireplace, termination and any joint if joining any sections of pipe.

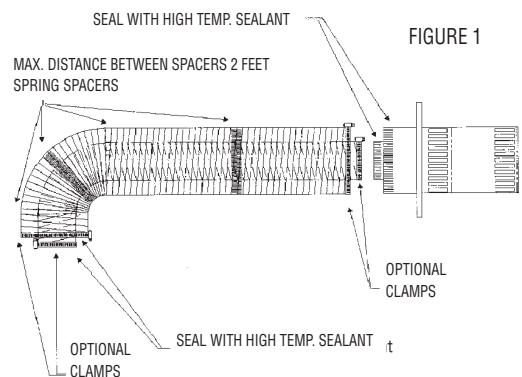
### FRAMING DIMENSION

#### Combustible Wall

Cut a 11" hole through exterior wall and frame as shown below.

#### Non combustible Wall

Cut or drill 8" or 204mm diameter hole.

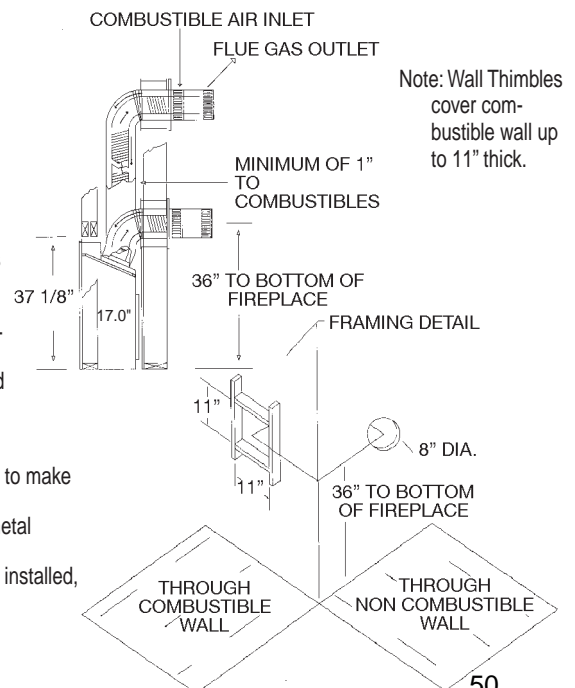


**NOTE:** It is critical to the proper and safe operation of this fireplace that on all connections the inner liner and the outer casing are both caulked with liberal amounts of sealant. Do not use any kind of tape or silicone other than that recommended in this manual, Mill Pac Sealant

## Installation Of Side Wall Venting

1. The minimum distance from the bottom of fireplace to centre of vent is 36 inch (85 cm) (See Figure 1). Cut a hole through the wall allowing for a 11" x 11" (inside diameter) in combustible walls for wall thimble or an 8" diameter hole in a non-combustible wall (See Figure 2).
2. Note clearance to combustibles are as stated on pages 7, 8, & 9.
3. Select the approximate vent length, precise measurements are not needed as your flex pipe can be expanded to twice its shipped length for ease of installation.
4. To install wall thimble centre over 11" x 11" (inch) framing from both sides of wall and secure. Route flex vent pipe through wall thimble (See Figure 1).
5. Before joining pipes, apply a bead of high temperature sealant (Mill Pac) to end of pipe. First attach the four inch (4") flue pipe to the vent termination with sealant, and secure with the four screws provided. At this time make sure the spacer springs are attached to the (4") flex pipe as required. Then attach the seven inch (7") pipe by the same method.
6. Mount vent termination and seal to wall using caulking around the wall thimble to weather proof. After installing the vent termination, double check to make sure the pipe extends properly through wall thimble and into vent termination.
7. Before joining pipes to fireplace flue, apply a bead of high temperature sealant (Mill Pac) to end of pipe. First attach the four inch (4") flue pipe to fireplace with sealant, and secure with the four screws provided. At this time verify that the spacer springs are attached properly to the (4") flex pipe as required. Then attach the seven inch (7") pipe by the same method.
8. Support horizontal pipes every two (2) feet (61 cm) with metal strap bands. Re-check fireplace to make sure it is levelled and properly positioned and secured.
9. Support vertical pipes to maintain a minimum of 1" or greater clearance to combustibles with metal strapping bands.
10. If finishing the outside wall with vinyl or wood siding it is recommended that a Siding Shield be installed, Part Number ZDVSSLR.

Note: Vent Termination must not be recessed into wall or siding.



## Venting Routes And Components

Since it is very important that the vent system maintain its balance between the combustion air intake and the flue gas exhaust, certain limitations as to vent configurations apply and must be strictly adhered to.

The table showing the relationship between vertical and horizontal side wall venting will help to determine the various vent lengths.

The maximum horizontal run with the 90 degree bend at the fireplace flue outlet is 4 ft/122cm (Figure #1). The maximum horizontal run is 20 ft/6.1 m when the vertical run is 7 ft/2.1m (Figure #2). Note: 1/4" vertical rise is required for every 12" of horizontal run.

The maximum number of 45 degree bends per side wall installation is two (2) in the horizontal run and then you must reduce the length of the horizontal by 18 inches for each 45 degree bend.

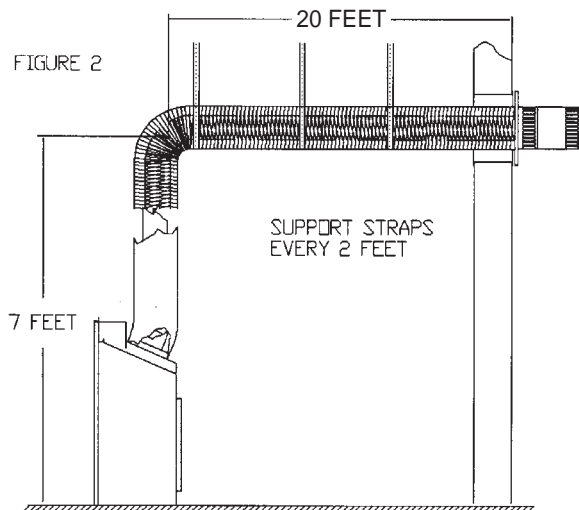
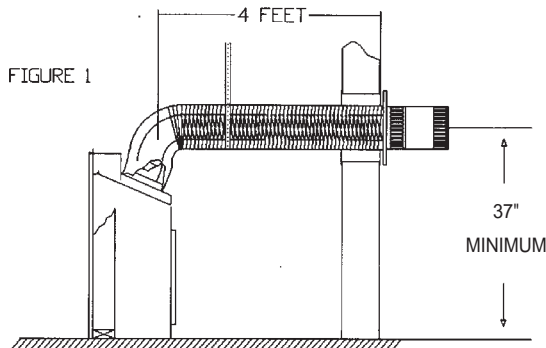
The maximum vertical run is 40 ft/12.2 meters.

**Special Note: For each 45 degree bend installed in the horizontal run, the length of the horizontal run must be reduced by 18" (45cm). This does not apply if the 45 degree bends are installed on the vertical part of the vent system.**

**Example:** If according to the table, the length of the horizontal run is 10 feet, and two 45 degree bends are required, the horizontal run length must be reduced to 7 feet.

2 additional 90° bends or equals are allowed. The horizontal run must be reduced by 36" per each 90° bend, or 18" per each 45° bend.

**Important:** Always locate the fireplace in such a way that a minimum of offsets and/or horizontal runs are required. 1/4" vertical rise is required for every 12" horizontal run.



## How To Use The Horizontal Vent Table

1. Determine the height of the system and the number of bends required.
2. Having determined the vertical distance determine the maximum horizontal section allowed.
3. Vent table has been established for 90° horizontal/vertical runs. With use of flex pipe distance not having 90° bends will not fall into vent table standards. See Fig. B.

## Horizontal Venting Table From Bottom of Fireplace

for venting to a maximum of 40 ft. (12.2 meters)

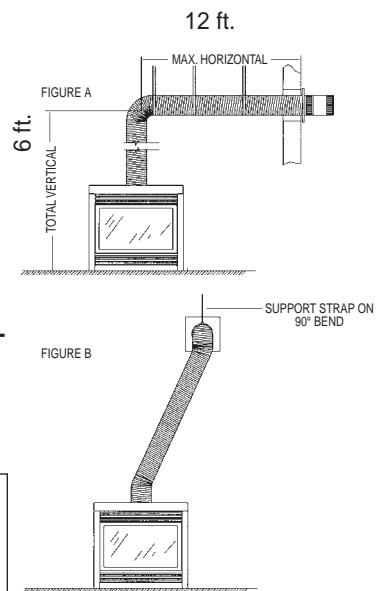
Total Vertical		Max Total Horizontal	
Feet	Meters	Feet	Meters
4	1.2	5	1.5
5	1.5	8	1.2
6	1.8	12	3.7
7	2.1	20	6.1
8	2.4	20	6.1
9	2.7	20	6.1
10	3.0	20	6.1
11	3.4	20	6.1
12	3.7	20	6.1
13	4.0	20	6.1
14	4.3	20	6.1
15	4.6	20	6.1
16	4.9	20	6.1
17	5.2	20	6.1
18	5.5	20	6.1
19	5.8	20	6.1
20	6.1	20	6.1
25	7.5	15	4.6
30	9	10	3.0
40	12.2	0	0

Example A:

If the vertical dimension from the floor of the fireplace is 6ft, the horizontal run to the wall flange of the vent termination must not exceed 12ft.

**NOTE: The final location of the fireplace must be such that the horizontal vent dimensions fall within those stated on the graph. The Maximum Vertical vent run is 40ft. (12.2 meters).**

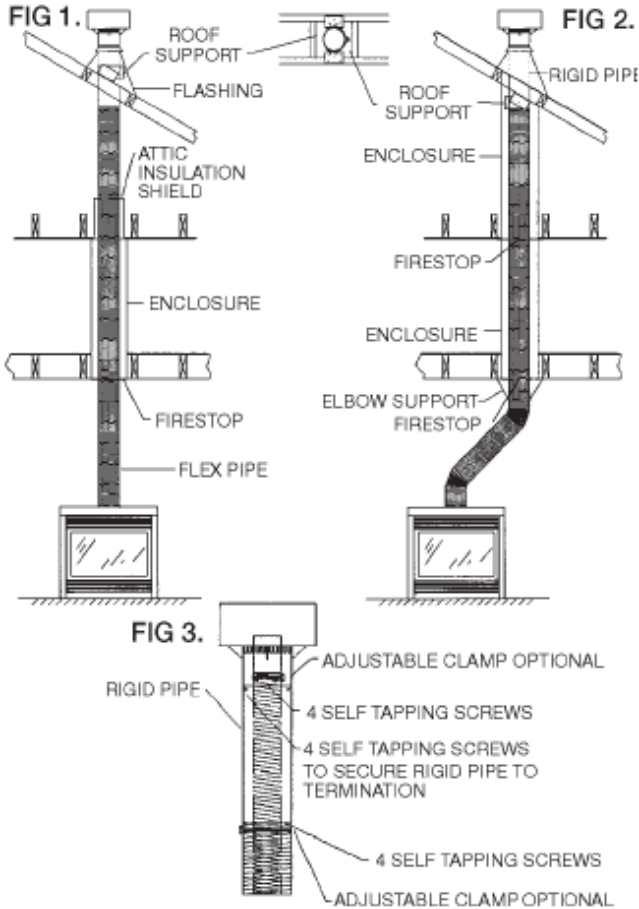
**Important:** Minimum clearance between vent pipes and combustible materials is 1 inch (25mm).



It is recommended for **Propane Horizontal Installations** that the venting should be a minimum of one foot vertical off the flue before the elbow on any horizontal runs of one foot or greater. This allows for cleaner combustion and greatly reduces carboning and cleaning of glass. (Does not apply to Back Flue Models).

## Venting Straight Up Through Roof

1. An Attic Insulation Shield must be installed where the vent passes from a lower living space into an attic space where the chimney is not enclosed. It is designed to keep insulation materials away from the chimney. See Fig. 1.
2. When installing the Attic Insulation Shield where the chimney passes from a living space to an attic space, install the shield from below and nail in place using 1" spiral nails.
3. A fire stop must be installed on the bottom side of the joists when passing through a ceiling or floor. If an attic insulation shield is to be used, a fire stop is not required.



## Using Flex Bends

4. Avoid cutting joists by offsetting the flex pipe. See Fig. 2.
5. When using 45° bends a bend support is required directly above the highest bend.
6. When installing a bend in a joist area a minimum of 2 1/2" clearance to combustibles to the top of bend must be maintained, sides and bottom of pipe, a 1" clearance to combustibles must be maintained. If running horizontal through an area a 1 1/2" minimum clearance to the top of the horizontal pipe must be maintained.
7. Maximum vertical height of system should not exceed 40 feet.
8. Use roof support and 7" rigid pipe at roof level. Flex not permitted within roof support.
9. When penetrating the roof a rigid 7" galvanized pipe must be used. Attach the 7" flex to the 7" rigid with high temperature sealant, secure with four screws assuring the flex and rigid pipe are secured. 4" flex pipe must be secured the same way with 4 screws but must penetrate the 4" flex and 4" section of termination. Attach 7" rigid pipe to 7" termination with sealant and screw with 4 sheet metal screws. (See Fig. 3).
10. Vertical termination clearance is 18" (inches) above the roof, measured from highest point of exit on the roof line.
11. Support vertical pipes to maintain minimum of one inch or greater clearances to combustibles.

## Roof Flashing

Ensure that you have the proper roof flashing by checking your roof pitch using a level and two rulers, or by using a roof pitch card. See figure below.

Slide a Roof Flashing suitable to your roof slope over the vent. Place the edge of the flashing plate that will be on the higher part of the roof slope under the shingles. Both the sides and the lower edge lay on top of the shingles.

NOTE: At the top edge of the flashing plate, lift the shingles and nail the plate to the roof deck, then cement the shingles to the plate with a suitable waterproof mastic.

Ensure that the chimney is plumb. Square up the flashing plate and nail in place to the roof deck. Use 12 nails with neoprene washers or cover the heads with a suitable waterproof mastic.

Wrap the storm collar around the vent above the flashing. Secure the ends together loosely with nut and bolt supplied. Slide the collar down the vent until it comes in contact with the flashing. Tighten the bolt and seal the Storm Collar to the vent with a suitable waterproof non-combustible mastic.

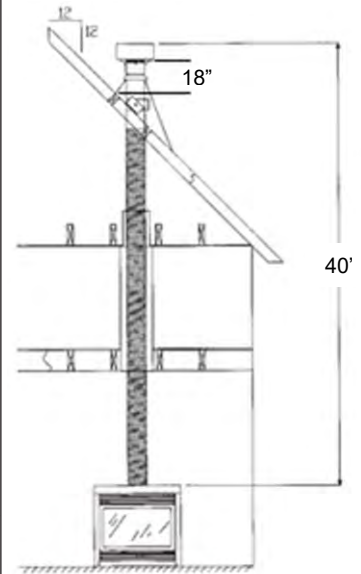
The flashing and storm collar should be painted to match the roof shingles. This will extend its life and improve the appearance. Clean, prime and paint with suitable painting products.

## Vertical Venting in Cold Climates

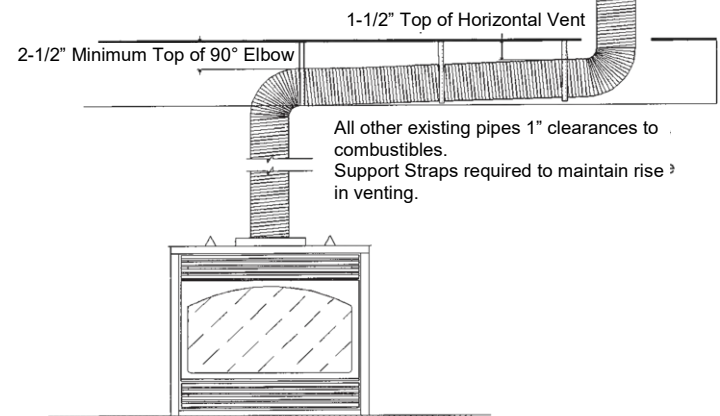
In cold climate conditions where temperatures go below -10 degrees Celsius or 14 degrees Fahrenheit, we recommend that the chase be insulated and where the vent pipe enters into the attic space that the pipe be wrapped with an insulated mylar sleeve. This will increase the temperature of the vent and help the appliance to vent properly in cold weather conditions.

It is also important in vertical vented direct vent appliances that the appliance be operated daily during the winter months as this will help stop the Termination from freezing up. We recommend using a thermostat set at room temperature to allow the unit to cycle.

For IPI models it may be necessary to set the appliance to Standing Pilot mode to maintain heat in the cavity. The purpose of this procedure is to prevent cold air from penetrating the chimney and then onto the living space. Therefore, when the internal temperature is slightly elevated the fireplace is able to freely exhaust its combustion and hence making it easier to startup



In the USA a decorative product (ANSI Z21-50): not for use as a heating appliance; thermostats (standard or optional) are not permitted, the warranty is void if a thermostat is installed.




## -Glass Safety- All Units


### IT IS THE RESPONSIBILITY OF THE HOME OWNER TO ENSURE THAT NO ONE TOUCHES A HOT APPLIANCE.

If the barrier becomes damaged, the barrier shall be replaced with the manufacturer's barrier for this appliance.

Any safety screen, guard, or barrier removed for servicing the appliance, must be replaced prior to operating the appliance.

- Children and adults should be alerted to the hazards of the high surface temperatures of this appliance and should stay away to avoid burns or ignition of clothing.
- Do not clean when the glass is hot.
- Young children should be carefully supervised when they are in the same room as the appliance. Toddlers, young children and others may be susceptible to accidental contact burns.
- A physical barrier is recommended if there are at risk individuals in the house. To restrict access to a fireplace or stove, install an adjustable safety gate to keep toddlers, young children and other at risk individuals out of the room and away from hot surfaces.
- Do not leave the fireplace remote control where it is accessible to children.

 **DANGER**



**HOT GLASS WILL CAUSE BURNS.**

**DO NOT TOUCH GLASS UNTIL COOLED.**

**NEVER ALLOW CHILDREN TO TOUCH GLASS.**

A barrier designed to reduce the risk of burns from the hot viewing glass is provided with this appliance and shall be installed for the protection of children and other at-risk individuals.

## -Termination Cap Safety- All Units

 **WARNING:**

**A HORIZONTAL VENT CERTIFIED GUARD (SAFETY CAGE) IS AVAILABLE WHEN REQUIRED BY LOCAL CODES.**

### SAFETY CAGES ARE AVAILABLE FOR ALL HORIZONTAL VENT TERMINATIONS. CHECK WITH YOUR DEALER.

- **TERMINATION CAP IS HOT!** Do not place flammable materials on or within 24 inches of termination caps.
- It is imperative that the vent termination be located observing the minimum clearances as shown in manual.
- There must not be any obstruction such as bushes, garden sheds, fences, decks or utility buildings within 24" from the front of the termination plate.
- Do not locate termination where excessive snow or ice build-up may occur. Be sure to check vent termination area after snow falls and clear to prevent accidental blockage of venting system. When using snow blowers, make sure snow is not directed towards vent termination area.
- Venting terminal shall not be recessed into a wall or siding.

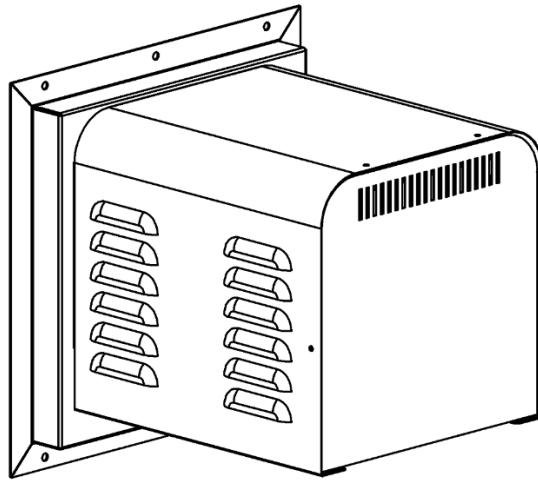
## Approved for Power Vent PVH58

**- This appliance is approved for use with the Kingsman PVH58 Horizontal Power Vent -**

The PVH58 Horizontal Power Vent Termination is intended for use where standard venting configurations are not possible.

**NOTE:** MODELS EQUIPPED WITH MILLIVOLT/ STANDING PILOT IGNITION: Downward vertical vent runs are **NOT** permitted.

**NOTE:** MODELS EQUIPPED WITH INTERMITTENT PILOT IGNITION (Proflame 1 or Proflame 2): Downward vertical vent runs are permitted, however, Cold Climate Switch (Standing Pilot Mode) must **NOT** be used.



### **PVH-58 Maximum / Minimum Vent Lengths:**

**Maximum** Vent Length is 125 ft plus six 90° elbows with Air Intake Shutter fully closed. Termination must not be below unit.

This power vent can be installed up to **8ft** below the installed fireplace on runs less than 100ft and not more than four 90° elbows.

**Minimum** Vent Length is 1 FT vertical x 3 FT horizontal x 3 FT vertical x 3 FT horizontal (See PVH58 manual).

Seven 90° elbows are possible if the total horizontal is not more than 25ft and the vertical does not exceed 15ft.

Refer to PVH58 Manual for proper installation and use.



## PVH58 POWER VENT PARTS LIST

NUMBER	DESCRIPTION
--------	-------------

PVH58	Horizontal Power Vent Termination
PVC58MV	Power Vent Control Module – Millivolt Box
PVC58IPI	Power Vent Control Module – IPI Box
PVH20H	Main Wiring Harness Assembly – Extension Harness (20ft)

### 4/7 VENTING AND VENTING ADAPTERS

**For fireplaces to be converted to hard pipe (DuraVent-DirectVent Pro, etc.) at the fireplace:**

ZDVDKA	DuraVent Fireplace Adapter ( <b>ZRB46 Only</b> )
ZDVDFa	DuraVent Fireplace Adapter
ZDVdIA	DuraVent Pipe Increaser (Adapts 4/6-5/8" venting to 5/8")

**For Power Vent installations where flex pipe will be used up to the Power Vent unit:**

Z47PVA	Pipe Reducer 8"Sm – 7"Sm, Pipe Reducer 5"Sm – 4"Sm (Adapts PVH58 to accept 4/7" Flex Pipe
--------	---

**\* One 12" section of hard pipe must be connected directly to the Power Vent before any adapters are connected.**

**Order the appropriate lengths of venting (see below).**

ZDVFK5	Flex Kit (4" & 7" Dia.) x 2.5' (Unexpanded) 5' Expanded
ZDVFK8	Flex Kit (4" & 7" Dia.) x 4' (Unexpanded) 8' Expanded
ZDVFK20	Flex Kit (4" & 7" Dia.) x 10' (Unexpanded) 20' Expanded
	*Kits are complete with spring stand-offs & silicone.
ZDV4FC	Flex Connector 4" Diameter
ZDV7FC	Flex Connector 7" Diameter
ZDV4SS	Spring - Standoff Spacer for Inner Pipe

## 42HB Parts List

HBZDV4224N (Millivolt) HBZDV4224NE (IPI)	Fireplace decorative rated NG, Tempered Glass, 24,000 BTU with Glowing Ember Bed, bedroom approved
HBZDV4224LP (Millivolt) HBZDV4224LPE (IPI)	Fireplace decorative rated LP, Tempered Glass, 22,000 BTU with Glowing Ember Bed, bedroom approved
HBZDV4228N (Millivolt) HBZDV4228NE (IPI)	Fireplace Heater Rated NG, Ceramic Glass, 28,000 BTU with Glowing Ember Bed BRA-MHA
HBZDV4228LP (Millivolt) HBZDV4228LPE (IPI)	Fireplace Heater Rated LP, Ceramic Glass, 26,000 BTU with Glowing Ember Bed BRA-MHA
HBZDV4232N (Millivolt) HBZDV4232NE (IPI)	Fireplace Heater Rated NG, Ceramic Glass, 30,500 BTU at 75% efficient. Approved for bedroom and mobile home.
HBZDV4232LP (Millivolt) HBZDV4232LPE (IPI)	Fireplace Heater Rated LP, Ceramic Glass, 29,200 BTU at 75% efficient. Approved for bedroom and mobile home.

### FIREPLACE REQUIREMENTS

#### Grills or CVCK (clean view circulating kit)(Required for each unit)

HB42CVCK	CVCK(clean view circulating kit) no grill required
----------	--

#### Grills

HB36GBL	Grill Kit - Black
---------	-------------------

#### LOG SETS or ROCK KIT (Required for each unit)

LOGC42	Log Set - 4 pce. - Classic Oak (ZDV3320, HB3624/28, HB4224/28 Series)
LOGC43	Log Set - 8 pce. - Burnt Oak (ZDV3320, HB3624/28, HB4224/28 Series)
LOGC44	Log Set - 8 pce. - Burnt Oak (ZDV3320,
LOGC60	Log Set - 7 pce. - Burnt Oak (HBZDV3632, HBZDV4232, HBZDV4732 Series)
MQLOGC45	Oak Log Set 7 Pc. (HBZDV3624 / 3628 / 4224 / 4228)
MQROCK1	Rock Set Tan(HBZDV 3624, 3628, 4224, 4228)
MQROCK2	Rock Set Natural (HBZDV 3624, 3628, 4224, 4228)
MQROCK3	Rock Set Multi Color (HBZDV 3624, 3628, 4224, 4228)
MQRSP3	Rock Platform and screws (HBZDV 3624, 3628, 4224, 4228)

#### Fireplace Surrounds

HB42SBL	Surround – Black (Coverage 37-5/8" H x 45-1/8" W)
---------	--

#### Accessories

Z36FK	Fan Kit w/Variable Speed Wall Mount Control (Temperature Sensing)
Z2MT	Thermostat Millivolt Wall Mount
Z80PT	Thermostat Programmable Digital Millivolt Wall Mount (1F80-40)
DCHS	Remote Control Heatshield

HB42RLT	Refractory Liner Traditional
HB42RLH	Refractory Liner Herringbone

HB42CSS	Replacement Safety Screen
HB42PSK	Pull Screen Kit for CVCK

### Replacement Burner Assembly

4224HB-BNGSI	Burner Assembly - Natural Gas c/w Valve System (HBZDV4224N)
4224HB-BLPSI	Burner Assembly - Liquid Propane c/w Valve System (HBZDV4224LP)
4228HB-BNGSI	Burner Assembly - Natural Gas c/w Valve System (HBZDV4228N)
4228HB-BLPSI	Burner Assembly - Liquid Propane c/w Valve System (HBZDV4228LP)
4232HB-BNGSI	Burner Assembly - Natural Gas c/w Valve System (HBZDV4232N)
4232HB-BLPSI	Burner Assembly - Liquid Propane c/w Valve System (HBZDV4232LP)

### Valve System Parts - New Top convertible SIT (Millivolt)

1000-P136WR	Thermopile GOAI-524
1001-P069SI	Electrode Sparker 915.069 TC SIT
1001-P216SI	Thermocouple 290.216 TC SIT
1001-P165SI	Orifice Pilot NG 977.165 TC SIT
1001-P167SI	Orifice Pilot LP 977.167 TC SIT
1001-P633SI	Valve Nova LP Hi/Lo 0820633
1001-P634SI	Valve Nova NG Hi/Lo 0820634
1001-P713SI	Pilot Burner LP 199.713 TC SIT
1001-P714SI	Pilot Burner NG 199.714 TC SIT

### Remote Control / Millivolt

GFRC	Remote Control Millivolt / IPI – On/Off
GTRC	Remote Control Millivolt - Thermostat
GTMRCN	Remote Control Millivolt – Thermostat/Modulating - NG
GTMRCP	Remote Control Millivolt – Thermostat/Modulating - LP
GTFRCN	Remote Control Millivolt – Thermostat/Modulating/Fan - NG
GTFRCP	Remote Control Millivolt – Thermostat/Modulating/Fan - LP

### Electronic Ignition/Remote Control IPI

EGTRC	Remote Control IPI (Thermostat)
EGTMRCN	Remote Control IPI (Thermostat/Modulating - NG)
EGTMRCP	Remote Control IPI (Thermostat/Modulating - LP)
EGTFRCN	Remote Control IPI (Thermostat/Modulating/Fan - NG)
EGTFRCP	Remote Control IPI (Thermostat/Modulating/Fan - LP)

### Electronic Ignition Replacement Parts IPI

1006-P002si	Valve IPI (NG; Hi/Lo)
1006-P603si	Valve IPI (LP; Hi/Lo)



1002-P047si	Pilot Assembly (LP)
1002-P033si	Pilot Assembly (NG)
1002-P089si	Spark Electrode (Long)
1002-P113si	Electrode Flame Sensor (Long)
1002-P302si	IPI Ignition Board
1002-P850si	AC Wall Adapter
1002-P12BH	Battery Pack
1002-P912si	Wiring Harness
1002-P166si	Orifice Pilot (NG #62)
1002-P168si	Orifice Pilot (LP #35)
1002-P013si	Stepper Motor (NG)
1002-P012si	Stepper Motor (LP)
1002-P016is	Hi/Lo Regulator (NG)
1002-P014si	Hi/Lo Regulator (LP)

#### Miscellaneous Parts

1000-150GE	#Silicone GE Red IS806 #736
1000-150MP	#Hi-Temp Mill Pac Sealant 840099
1000-214	#Piezo-Igniter 1244-17 MARK 21
1000-215	#Pal Nut (18MMX1.5MM) Blk (1364.03)
1000-218	#Switch Ivory (1451/001)
1000-227	#Cover Ivory (86001/001)
1000-255	#Orifice Brass - (State Size)
1000-EMBER	#Moon Rock
2000-080	#Thermodisc 2450 (For Blower)
2000-081	#Blower Motor QLN65/2400
1000-085	#Control Variable Speed KBWC-13BV
1000-306	Thermalcord - Adhesive Back for Door Frame
42HB-310	Ceramic Glass - For All HBZDV4200
42HB-311	Tempered Glass - For HBZDV3624 Model
36HB-123	Upper Door Spring

#### Conversion Kit (Sit Valve Only) (Millivolt)

4224HB-CKLP	LP Conversion Kit for HBZDV4224 (Millivolt)
4224HB-CKNG	NG Conversion Kit for HBZDV4224 (Millivolt)
4228HB-CKLP	LP Conversion Kit for HBZDV4228 (Millivolt)
4228HB-CKNG	NG Conversion Kit for HBZDV4228 (Millivolt)
4232HB-CKLP	LP Conversion Kit for HBZDV4232 (Millivolt)
4232HB-CKNG	NG Conversion Kit for HBZDV4232 (Millivolt)

#### Conversion Kit (Sit Valve Only) (IPI)

4224HB-CKLPI	LP Conversion Kit for HBZDV4224 (IPI)
4224HB-CKNGI	NG Conversion Kit for HBZDV4224 (IPI)
4228HB-CKLPI	LP Conversion Kit for HBZDV4228 (IPI)

4228HB-CKNGI	NG Conversion Kit for HBZDV4228 (IPI)
4232HB-CKLPI	LP Conversion Kit for HBZDV4232 (IPI)
4232HB-CKNGI	NG Conversion Kit for HBZDV4232 (IPI)

#### Kingsman Fireplace Venting

Catalog Number	Description
ZDVHSK	Horizontal Vent Starter Kit - 3 FT Length Horizontal Vent Termination, Wall Thimble, 36" Flex Pipe, Mill Pac, screws/washers, springs.
ZDVHSK5	Horizontal Vent Starter Kit - 5 FT Length Horizontal Vent Termination, Wall Thimble, 60" Flex Pipe, Mill Pac, screws/washers, springs.
FDVVT40	Vertical Vent Termination converts from 15'-40' to under 15'
FDVHT	Horizontal Vent Termination
FDVHSQ	Horizontal Square Termination
Z47ST24	Horizontal Snorkel Termination - 24"
Z47ST36	Horizontal Snorkel Termination - 36"
FDVHSCU	Safety Cage for Horizontal Termination
ZDV AIS	Attic Insulation Shield
ZDVVOS	Offset Support
ZDVFS	Firestop Spacer
ZDVRS	Roof Support
ZDVWT	Wall Thimble (Horizontal Venting)
ZDVSSLR	Siding Shield - Large Return
Z47GP36	Galvanized Pipe 7" Dia. x 36" (Vertical Installations)
ZDVAAF	Flashing 7" c/w Storm Collar (1/12 to 7/12)
ZDVAF2	Flashing 7" c/w Storm Collar (8/12 to 12/12)
ZDVAF3	Flashing 7" c/w Storm Collar Flat
ZDV7SC	Storm Collar 7"
ZDVFK5	Flex Kit (4" & 7" Dia.) x 2.5' (Unexpanded) 5' Expanded
ZDVFK8	Flex Kit (4" & 7" Dia.) x 4' (Unexpanded) 8' Expanded
ZDVFK20	Flex Kit (4" & 7" Dia.) x 10' (Unexpanded) 20' Expanded *Kits are complete with spring stand-offs, silicone.
ZDV4FC	Flex Connector 4" Diameter
ZDV7FC	Flex Connector 7" Diameter
ZDV4SS	Spring 4" Standoff Spacer
ZDV DFA	Simpson Dura-Vent Fireplace Adapter (for ZDV33/36/42/47, ZDV6000, MDV31 & HB models)
ZDVHSKSQ	<b>Horizontal Square Termination Vent Starter Kit - 3 FT Length</b> Horizontal Vent Termination, Wall Thimble, Wall Thimble, 36" Flex Pipe, Mill Pac
ZDVHSKSQ5	<b>Horizontal Square Termination Vent Starter Kit - 5 FT Length</b> Horizontal Vent Termination, Wall Thimble, Wall Thimble, 60" Flex Pipe, Mill Pac
FDVHSQ	Horizontal Square Vent Termination

## Trouble Shooting The Gas Control System



**WARNING:** BEFORE DOING ANY GAS CONTROL SERVICE WORK, REMOVE THE GLASS FRONT.

**NOTE:** Before troubleshooting the gas control system, be sure external gas shut off is in the “On” position.

Problem	Possible Causes	Corrective Action
Spark igniter will not light.	Defective or misaligned electrode at pilot.	Check for spark at electrode and pilot: if no spark and electrode wire is properly connected, replace igniter.
	Defective igniter (push-button)	Using a match, light pilot. If pilot lights, turn off pilot and push the red button again. If pilot will not light - check gap at electrode and pilot should be 1/8” to 1/4” to have a strong spark.
Pilot will not stay lit after carefully following lighting instructions.	Defective thermocouple (flame switch where applicable)	Check pilot flame. Must impinge on generator and thermocouple. Clean and/or adjust pilot for maximum flame impingement on generator and thermocouple. Replace thermocouple if pilot will not hold. (Hand tight 1/8 turn on replacement)
	Defective valve magnet.	Replace valve, if pilot won't hold after the thermocouple is replaced.
Pilot burning, no gas to burner, Valve knob “ON”, Wall Switch “ON”	Wall switch or wires defective.	Check wall switch and wires for proper connections. Jumper wire across terminals at wall switch. If burner comes on, replace defective wall switch. If okay, jumper wires, across wall switch wires at valve. If burner comes on, wires are faulty or connections are bad.
	Generator may not be generating sufficient voltage.	Check generator with millivolt meter. Take reading at generator terminals of gas valve. Should read 325 millivolts minimum while holding valve knob depressed in pilot position and wall switch “off” Replace faulty generator if reading is below specified minimum.
	Plugged burner orifice.	Check burner orifice for stoppage and remove.
	Defective automatic valve operator.	Remove wall switch wires from gas valve. Install jumper wires from top bottom terminals of gas valve. Turn valve on “ON”. If main burner does not light, replace valve.
Frequent Pilot outage problem.	Pilot flame may be too low or blowing (high) causing the pilot safety to drop out.	Clean and/or adjust pilot flame for maximum flame impingement on generator and thermocouple.
Flame lifts off burner and goes out in less than 30 seconds	Inner 4” liner has come off flue or termination, flame is starving for oxygen	Attach 4” liner to flue or termination using screws, silicone and clamps as stated in manual
Flame lifts off burner on one side while the rest of the flame remains lit.	Improper installation of firebrick. Firebrick is likely leaning.	Be sure to position firebrick against firebox walls and be sure to use brick clips attached to the inner side of firebox.



## LIMITED LIFETIME WARRANTY

This Limited Lifetime Warranty applies only while the unit remains at the site of the original installation and only if the unit is installed inside the continental United States, Alaska, Hawaii, and Canada. The warranty applies only if the unit is installed and operated in accordance with the printed instructions and in compliance with applicable installation and building codes and good trade practices.

### BASIC ONE YEAR WARRANTY

During the first year after installation, we will provide a replacement for any component part of your unit found to be defective in materials or workmanship, including labour costs. Repair work requires prior approval by Kingsman, labour costs are based on a predetermined rate schedule and any repair work must be done through an authorized Kingsman dealer.

(Excluded Components: Accent Light Bulbs, Gasketing and Paint)

### LIMITED LIFETIME WARRANTY

The heat exchanger, combustion chamber and burner of every Kingsman product excluding the Outdoor Firepit are warranted against materials or workmanship during the period the product is owned by the original owner. The part to be replaced must be returned to our distributor in exchange for the replacement part. Any labor, material, freight and/or handling charges associated with any repair or replacement pursuant to this Limited Lifetime Warranty will not be covered by this warranty.

### GENERAL TERMS

In lieu of providing a replacement part, we may, at our option, provide the distributor's component purchase price from us or a credit equal to the distributor's component purchase price from us toward the purchase of any new unit which we distribute. If a credit is given in lieu of a replacement part, the rating plate from the unit being replaced must be submitted on a warranty claim, and the unit being replaced must be made available to our distributor for disposition.

In establishing the date of installation for any purpose, including determination of the starting date for the term of this Limited Lifetime Warranty, reasonable proof of the original installation date must be presented\*, otherwise the effective date will be based upon the date of manufacture plus thirty (30) days.

We will not be responsible for and you, the user, will pay for: (a) damages caused by accident, abuse, negligence, misuse, riot, fire, flood, or Acts of God (b) damages caused by operating the unit where there is a corrosive atmosphere containing chlorine, fluorine, or any other damaging chemicals (other than in a normal residential environment) (c) damages caused by any unauthorized alteration or repair of the unit affecting its stability or performance (d) damages caused by improper matching or application of the unit or the unit's components (e) damages caused by failing to provide proper maintenance and service to the unit (f) any expenses incurred for erecting, disconnecting or dismantling the unit (g) parts or supplies used in connection with service or maintenance (h) damage repairs, inoperation or inefficiency resulting from faulty installation or application (i) electricity or fuel costs or any increase in electricity or fuel cost whatsoever including additional or unusual use of supplemental electric heat.

We shall not be liable for any incidental, consequential, or special damages or expenses in connection with any use or failure of this unit. We have not made and do not make any representation or warranty of fitness for a particular use or purpose, and there is no implied condition of fitness for a particular use or purpose. We make no express warranties except as stated in this Limited Lifetime Warranty. No one is authorized to change this Limited Lifetime Warranty or to create for us any other obligation or liability in connections with this unit. Any implied warranties shall last for one year after the original installation. Some states and provinces do not allow the exclusion or limitation of incidental or consequential damages or do not allow limitations on how long an implied warranty or condition lasts, so the above limitations or exclusions may not apply to you. The provisions of this limited warranty are in additions to and not a modification of or subtraction from any statutory warranties and other rights and remedies provided by law.

Save this certificate. It gives you specific legal rights, and you may also have other rights which may vary from state to state and province to province.

In the event your unit needs servicing, contact your dealer or contractor who installed or serviced your unit. When requesting service, please have the model and serial number from each unit readily available. If your dealer needs assistance, the distributor is available for support and we, in turn support the distributor's efforts.

Fill in the installation date and model and serial numbers of the unit in the space provided below and retain this limited warranty for your files.

Model No. \_\_\_\_\_ Serial No. \_\_\_\_\_ Date installed \_\_\_\_\_

Dealer or Contractor Name: \_\_\_\_\_

\*To receive advantage of your warranty, you must retain the original records that can establish the installation date of your unit.