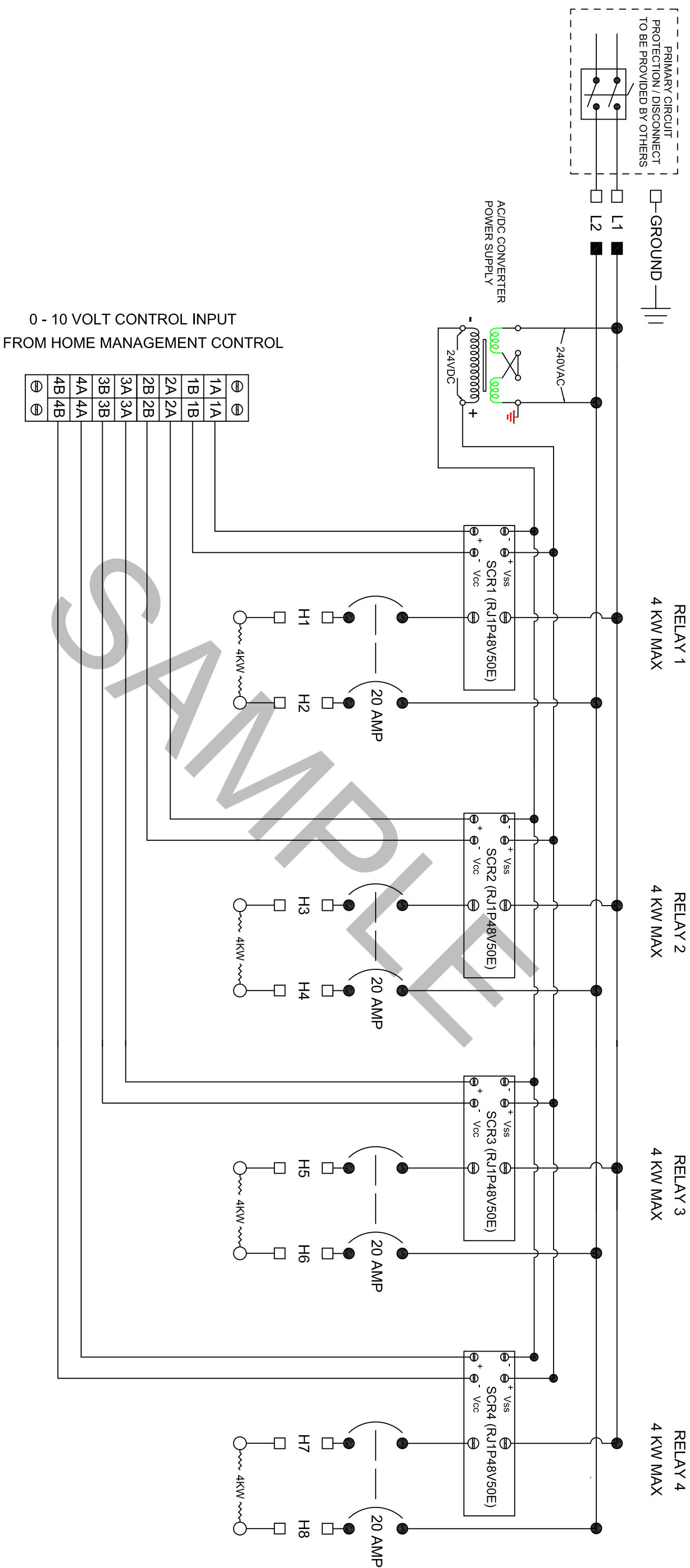


240 VOLT 1Ø 80 AMPS



INFRA TECH
344 W. 157th Street
Gardena, California 90248
Phone: (310) 354-1250
Fax: (310) 523-9674
www.infatech-usa.com

DESCRIPTION CUSTOM HOME MANAGEMENT
CONTROL PANEL
240 VOLT 1Ø 80 AMPS

CUSTOMER SAMPLE

DATE ITEM# X-30-4064

JOB# U/L#