

DRT3000 SERIES

 DIRECT VENT GAS FIREPLACES



Superior
FIREPLACES®
Our name is our promise.



TRADITIONAL

Modest yet refined, the DRT3000 Series fireplaces provide undeniable value and quality. Outfitted with multiple features, outstanding performance and easy installation, the DRT3000 Series is a wise choice for any home.



FEATURED DRT3000 shown with standard Black Painted interior

FEATURES

- 🔥 Available in 33", 35", 40" and 45" clean-faced models
- 🔥 Combo top/rear flue configuration (33" model is a dedicated top or rear)
- 🔥 Millivolt or electronic ignition for seamless battery backup operation in the event of a power outage (IPI/CPI switch standard)
- 🔥 Wireless wall-mounted control provides variable flame settings (electronic models only)
- 🔥 Outstanding heating efficiency for increased comfort and lower operating costs
- 🔥 Standard tempered glass and a protective screen*
- 🔥 Detailed ceramic fiber Aged Oak log set with 1/2" heavy-duty grate
- 🔥 Black painted interior (optional ceramic fiber liners available)
- 🔥 Durable textured powder coat finish
- 🔥 Optional blower and touch remote or hand-held remote control available for all models
- 🔥 20-year limited warranty

*All applicable models comply with ANSI Z21.50/88 barrier requirements.



FEATURED DRT3000 shown with optional Vintage Red Stacked Liner

INTERIOR

Choose from three optional ceramic liners (**Black Painted Interior is standard**).



Black Painted Interior
(Standard)



Buff Stacked Liner
(Optional)



Vintage Red Stacked
Liner (Optional)



Old Town Red
Herringbone Liner
(Optional)

ADDITIONAL OPTIONS

- Choice of blower with multiple control options
- Touch remote or hand-held remote control



Wireless Wall-
Mounted Control
(Standard with Electronic
Ignition Models)

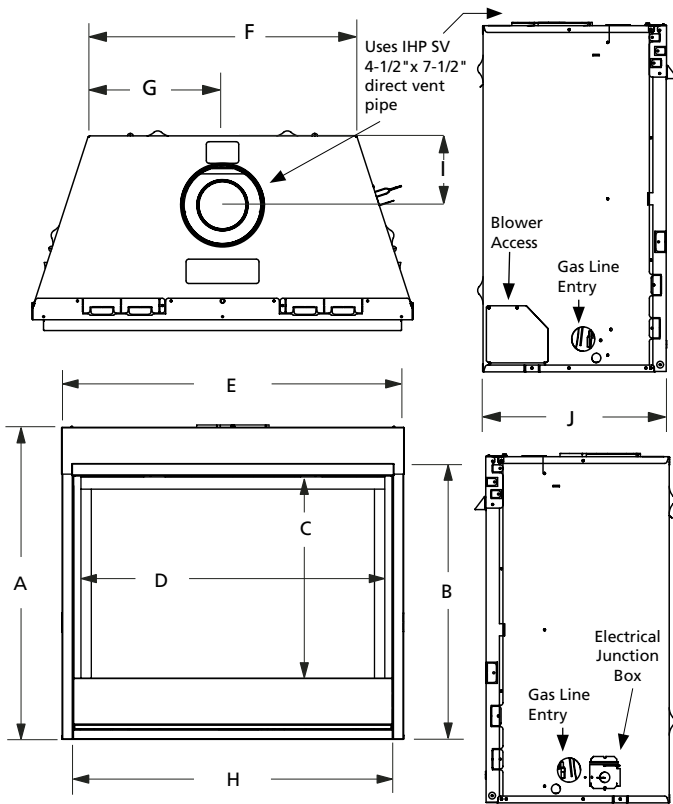


Thermostat Control
Touch Remote
(Optional)



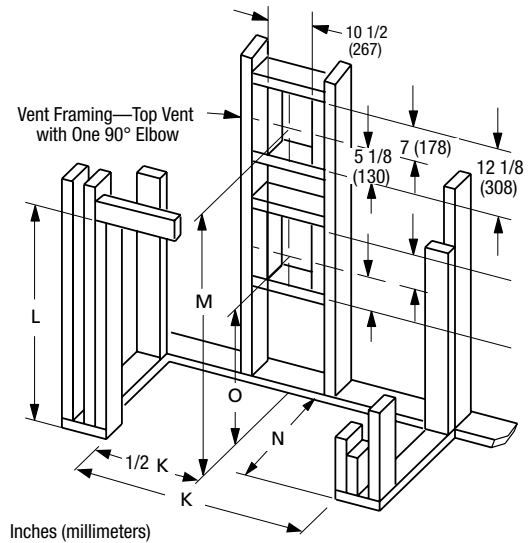
Hand-Held
Remote Control
(Optional)

APPLIANCE SPECIFICATIONS



	DRT3033	DRT3035	DRT3040	DRT3045
A	30-1/8"	32-1/8"	37-1/8"	37-1/8"
B	26-1/4"	28-3/4"	33-1/4"	33-1/4"
C	18-3/8"	22-1/4"	27-1/4"	27-1/4"
D	30-1/2"	32-3/8"	37-3/8"	42-3/8"
E	33-5/8"	35-1/4"	40-1/4"	45-1/4"
F	21-7/8"	25"	30"	35"
G	11"	12-1/2"	15"	17-1/2"
H	31"	32-7/8"	37-7/8"	42-7/8"
I	5-3/4"	6-7/8"	6-7/8"	6-7/8"
J	14"	17"	17"	17"

FRAMING SPECIFICATIONS



	DRT3033	DRT3035	DRT3040	DRT3045
K	33-3/4"	35-3/8"	40-3/8"	45-3/8"
L	34-1/4"*	36-1/4"*	41-1/4"*	41-1/4"*
M	36-7/8"	38-3/4"	43-3/4"	43-3/4"
N	14-1/2"	18"	18"	18"
O	19-5/8"	23-3/8"	28-1/4"	28-1/4"

* Includes 4" for fold-up standoffs

FIREPLACE EFFICIENCIES – Listed to ANSI Z21.88 as a gas fireplace heater.

MODEL	FUEL	BTU/HR	AFUE**	P4 / ENERGYGUIDE*
DRT3033	NG	15,000	61%	57.0% / 60.0%
DRT3033	LP	13,000	61%	57.0% / 60.0%
DRT3035	NG	16,000	61%	58.0% / 60.0%
DRT3035	LP	15,000	61%	58.0% / 60.0%
DRT3040	NG	20,000	61%	58.0% / 60.0%
DRT3040	LP	19,000	61%	58.0% / 60.0%
DRT3045	NG	21,500	66%	58.0% / 60.0%
DRT3045	LP	21,500	66%	58.0% / 60.0%

*Intermittent ignition systems. Millivolt/Electronic.

**Annual Fuel Utilization Efficiency (AFUE) is the recognized U.S. rating system for the total efficiency of heating products.

On the cover: DRT3035 shown with standard black painted interior

IMPORTANT NOTES:

As with any fireplace, this appliance is extremely hot during operation. Read and understand all operating instructions before using this appliance. For further information, consult your dealer.

Local conditions, such as elevation, wind, vent configuration and choice of fuel will affect overall appearance of the fire and heating performance. Performance can also vary with home design and insulation, climate, condition and type of fuel used, appliance location, burn rate, accessories chosen, chimney installation and how the appliance is operated.

Diagrams, illustrations and photographs are not to scale—consult installation instructions. Product designs, materials, dimensions, specifications, colors and prices are subject to change or discontinuance without notice.



© 2018 Innovative Hearth Products

785686M 01/18

Visit us online
SuperiorFireplaces.us.com

