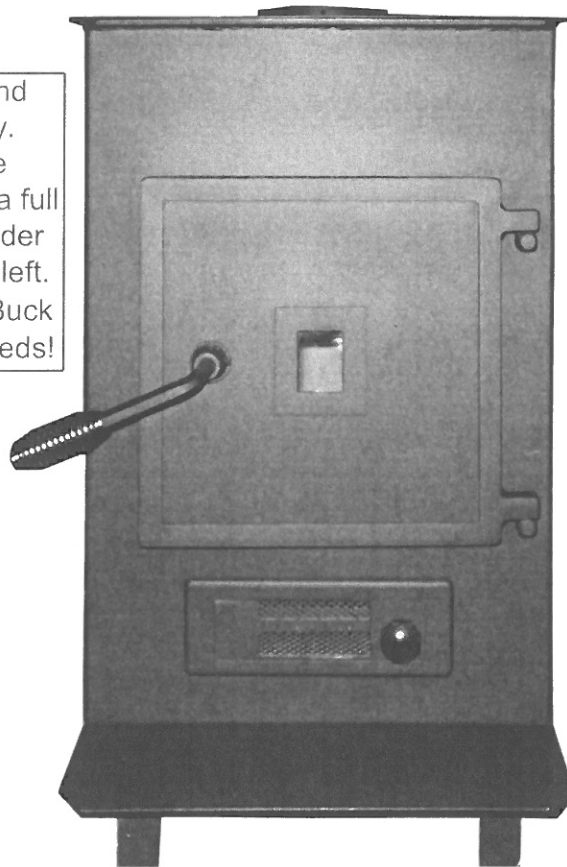


LITTLE JOHN

This Manual Is For Online and Replacement Purposes Only. This electronic version of the Little John Manual includes a full navigation ledger located under the "Bookmarks" icon to the left. ◀ Thank you for choosing Buck Stove for all your heating needs!



EPA EXEMPT PER METHOD 28

OPERATION PREPARATIONS FEATURES INSTALLATION SAFETY
MAINTENANCE

NOTICE:

IF THIS HEATER IS NOT PROPERLY INSTALLED, A HOUSE FIRE MAY RESULT. FOR YOUR SAFETY, FOLLOW THE INSTALLATION INSTRUCTIONS. CONTACT THE AUTHORITY HAVE JURISDICTION (SUCH AS MUNICIPAL BUILDING DEPARTMENT, FIRE DEPARTMENT, FIRE PREVENTION BUREAU, AND INSURANCE COMPANY etc.) SHOULD BE CONSULTED BEFORE INSTALLATION TO DETERMINE THE NEED TO OBTAIN A PERMIT. KEEP THESE INSTRUCTIONS FOR FUTURE USE.

TESTED TO UL1482 AND LISTED BY:  ITS/WARNOCK HERSEY, MIDDLETON, WI

MANUFACTURED BY: NEW BUCK CORPORATION SPRUCE PINE, NC 28777

SEPTEMBER 2009

TABLE OF CONTENTS

Installation Instructions.....	2	
Important Instructions.....	3-5	
Possible Tools.....	5	
Floor Protection.....	6	
Preparing The Stove For Installation.....	7	
Preparing The Room Heater location.....	8	
How To Locate Chimney Exit, and Installation.....	9	
SECTION'S:		
A. Residential Installation		
Vertical Exit Using 6"Single Wall Pipe /Listed 2100° UL 103 HT chimney without close clearance shields	10	
B. Residential Installation		
Vertical Exit Using 6"Single Wall Pipe/Listed 2100° UL 103 HT chimney with close clearance shields	11	
C. Residential Installation		
Vertical Exit Using DVL Close Clearance Pipe Listed 2100° UL 103 HT chimney with close clearance shields	12	
D. Residential Installation ALCOVE		
Vertical Exit Using DVL Close Clearance Pipe Listed 2100° UL 103 HT chimney with close clearance shields	13	
E. Connection of Chimney Connector to Masonry Chimney Through A Combustible Wall Using (SECTION'S - F. OR G.).....		14
F. Residential Installation		
Vertical Wall Exit Using 6"Single Wall Pipe and Elbow/Listed 2100° UL 103 HT Chimney and T-BOX assembly without close clearance shields	17	
G. Residential Installation		
Vertical Wall Exit Using 6"Single Wall Pipe and Elbow/Listed 2100° UL 103 HT Chimney and T-BOX assembly with close clearance shields	18	
H. Residential Installation		
Vertical Wall Exit Using DVL Close Clearance Pipe and Elbow /Listed 2100° UL 103 HT Chimney and T-BOX assembly with close clearance shields	19	
Installation of (Optional) Close Clearance Shields.....	20	
Installation of (Optional) Fan Blower Assembly.....	21	
Final Check.....	22	
Operation.....	23	
Inspection and Maintenance.....	24	
Troubleshooting.....	25-26	
LIMITED WARRANTY.....	27	

YOUR STOVE DOES NOT CREATE THE DRAFT. THE CHIMNEY DOES.

NOTE:

- YOUR CHIMNEY OR FLUE MUST BE CORRECTLY SIZED. A CHIMNEY OR FLUE THAT IS TOO SMALL OR LARGE IN DIAMETER, OR TOO SHORT, CAN CAUSE YOUR STOVE TO SPILL SMOKE WHEN THE DOOR IS OPENED.
- **“DO NOT CONNECT THIS UNIT TO A CHIMNEY FLUE SERVING ANOTHER APPLIANCE.”**
- **The chimney size should not be less than or more than three times greater than the cross-sectional area of the flue collar.”**
- **For peak performance, we suggest the use of hard seasoned natural wood, loading wood length way from front to rear.**
- **NOTE: Soft woods such as pine, create more creosote, clogging of chimney, and produce a less efficient burn performance.**
- **You should not burn trash or garbage, artificial or paper logs, gift wrapping, treated or painted wood or any type of coal.**
- A factory-built prefabricated chimney may be used for your unit when installed in compliance with the manufacturer's specification and uniform building code.
- These units may also be used with optional room air blower. To order the optional motor assemblies you must specify the stove model number and give one of the following part number:
 - *Motor Assembly— MALJ715
- For operation and use of these electrical assemblies, see instructions provided with the motor assembly kits.
- Observe closely the clearance to combustible.

- **DISPOSAL OF ASHES—PLACE ASHES IN A METAL CONTAINER WITH A TIGHT LID. KEEP THE CLOSED CONTAINER ON A NONCOMBUSTIBLE MATERIALS. KEEP THE ASHES IN THE CLOSED CONTAINER UNTIL ALL CINDERS HAVE THOROUGHLY COOLED. THE ASHES MY BE BURIED IN THE GROUND OR PICKED UP BY A REFUSE COLLECTOR.**
- **DO NOT CONNECT A WOOD BURNING HEATER TO A TYPE B GAS VENT. THIS IS NOT SAFE AND IS PROHIBITED BY THE NATIONAL FIRE PROTECTION ASSOCIATION CODE. THIS HEATER REQUIRES APPROVED MASONRY OR UL LISTED RESIDENTIAL TYPE AND BUILDING HEATING APPLIANCE CHIMNEY. USE A 6” DIAMETER CHIMNEY, OR LARGER, THAT IS HIGH ENOUGH TO GIVE A GOOD DRAFT.**
- **BE SURE THAT YOUR CHIMNEY IS SAFELY CONSTRUCTED AND IN GOOD REPAIR. HAVE THE CHIMNEY INSPECTED BY THE FIRE DEPARTMENT OR QUALIFIED INSPECTOR. YOUR INSURANCE COMPANY MY BE ABLE TO RECOMMEND A QUALIFIED INSPECTOR.**
- **ALWAYS CONNECT THIS HEATER TO A CHIMNEY AND VENT TO THE OUTSIDE. NEVER VENT TO ANOTHER ROOM OR INSIDE A BUILDING.**
- **FOR FURTHER INFORMATION ON USING YOUR HEATER SAFELY. OBTAIN A COPY OF THE NATIONAL FIRE PROTECTION ASSOCIATION (NFPA) PUBLICATION “NFPA No. HS-10-1978. THE ADDRESS OF THE NFPA IS BATTERY MARCH PARK, MA 02269**
- **DO NOT USE FIRE GRATE OR ELEVATE FIRE.**

POSSIBLE TOOLS NEED FOR INSTALLATION

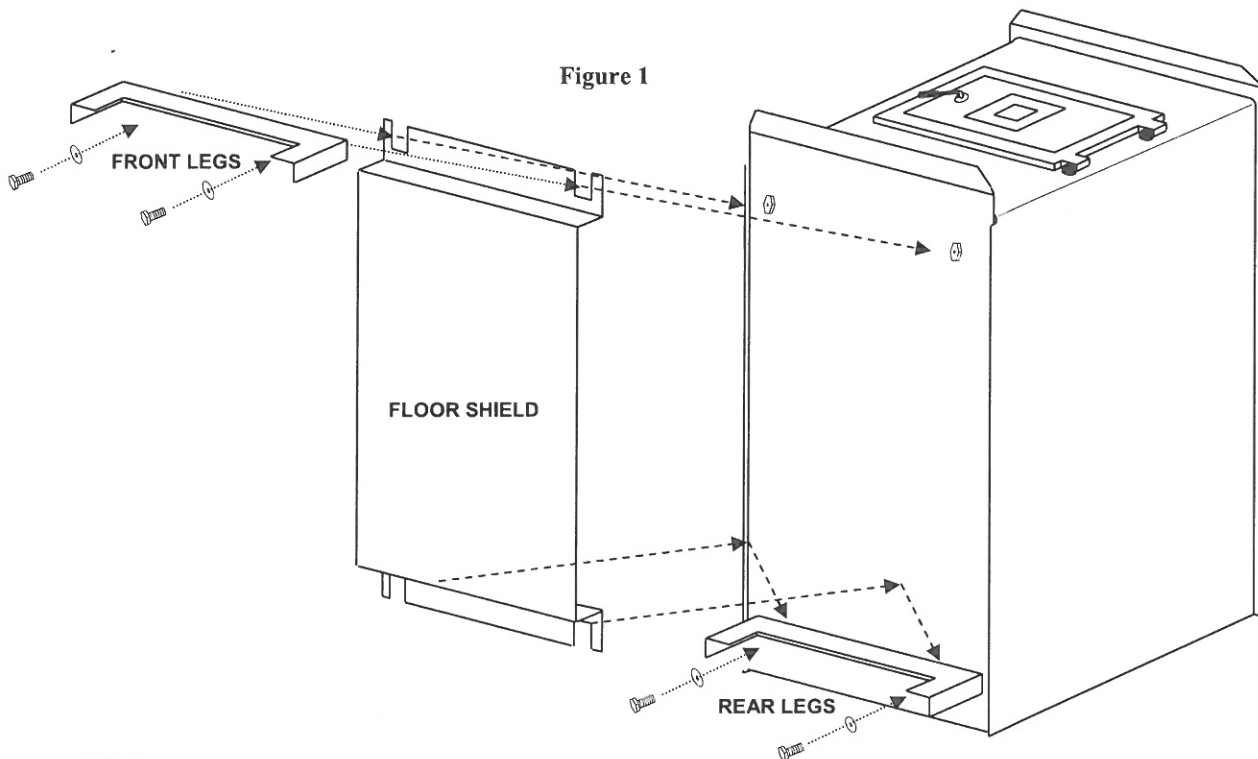
- Pencil
- Tap measure
- Tin Snips
- Drill
- Screw Driver
- Gloves
- Safety Glasses
- 7/32” Drill Bit and Set
- Socket / Ratchet Set

RESIDENTIAL FREESTANDING INSTALLATION

Select an installation location that will give the best airflow from the heater to the remainder of the home.

PREPARING THE STOVE FOR INSTALLATION

1. Remove any items from within the firebox. Spread a dropcloth on the floor behind the heater. Next, tilt the heater so that the back is on the drop cloth.
2. Then obtain leg kit, and floor shield.
3. Attach, and tighten the rear legs to bottom of unit with bolts and washers supplied with the leg kit. (See Figure 1.)
4. Now place the floor shield in between the bottom of the unit and the rear legs. Push the shield against front bottom of unit. Attach and tighten the front legs to bottom of unit with bolts and washers supplied with the leg kit. (See Figure 1.)
5. Reposition the heater to the upright position, and check to see if all fire bricks are in place. Also check the upper heat shield, to see it is properly positioned.



Chimney

This model is designed for connection to any listed 2100° UL103 HT chimneys and parts. Follow chimney manufacturer's instructions carefully.

This room heater must be converted to (1) a chimney complying with the requirements for Type HT chimneys in the Standard for chimneys, Factory-Built, Residential, Type and Building Heating Appliance, UL 103, or (2) a code approved masonry chimney with a flue liner.

HOW TO LOCATE CHIMNEY EXIT, AND INSTALLATION

Residential Installation, and Alcove: Vertical Exit using (6" Single Wall minimum 24 ga. blued or black pipe, or 6" DVL Close Clearance pipe and any Listed 2100° UL 103 HT. chimney). With and, without close clearance shields.

SECTION'S:

A. Vertical Exit 6" Single Wall minimum 24 ga. blued or black pipe **without close clearance shields.**

NOTE: For minimum clearances (See Page 10, Figure 2)

B. Vertical Exit 6" Single Wall minimum 24 ga. blued or black pipe **with close clearance shields.**

NOTE: For minimum clearances (See Page 11, Figure 4)

C. Vertical Exit 6" DVL Close Clearance pipe **with close clearance shields.**

NOTE: For minimum clearances (See Page 12, Figure 6)

D. Vertical Alcove Exit 6" DVL Close Clearance pipe **with close clearance shields**

NOTE: For minimum clearances (See Page 13, Figure 8)

1. Suspend a plumb bob from the ceiling above the unit so that the weight is hanging in the center of the flue exit. (A small weight on a string will serve as a plumb bob.) Mark the ceiling where the string is suspended to locate the center of the chimney.
2. After locating the center of the hole, install the ceiling support box, chimney or chimney connector, flashing, and rain cap per the chimney manufacturer's instructions, and local building codes for installation through combustible walls or ceilings.
3. Now connect the stove and ceiling support box (See Page 10, Figure 3) using 6" Single Wall minimum 24 ga. blued or black pipe (DO NOT USE GALVANIZED PIPE). Connect each section so the crimped end faces downward, and secure each section to each other using at least three (3) sheet metal screws or rivets. Single wall pipe is to be connected with (3) sheet metal screws or rivets to connector collar on heater.(See Page 22, Figure 25).

Residential Installation: Vertical Wall Exit using (6" Single Wall minimum 24 ga. blued or black pipe, or 6" DVL Close Clearance pipe with elbow, and any Listed 2100° UL HT chimney and Listed 2100° UL HT. Tee box assembly). With and, without close clearance shields.

E. Vertical Wall Exit To Masonry Chimney Through combustible Wall - Using (SECTIONS F. and G.)(See Page 14)

F. Vertical Wall Exit 6" Single Wall minimum 24ga. blued or black pipe **without close clearance shields.**

NOTE: For minimum clearances (See Page 17, Figure 14)

G. Vertical Wall Exit 6" Single Wall minimum 24ga. blued or black pipe **with close clearance shields.**

NOTE: For minimum clearances (See Page 18, Figure 16)

H. Vertical Wall Exit 6" DVL Close Clearance pipe **with close clearance shields.**

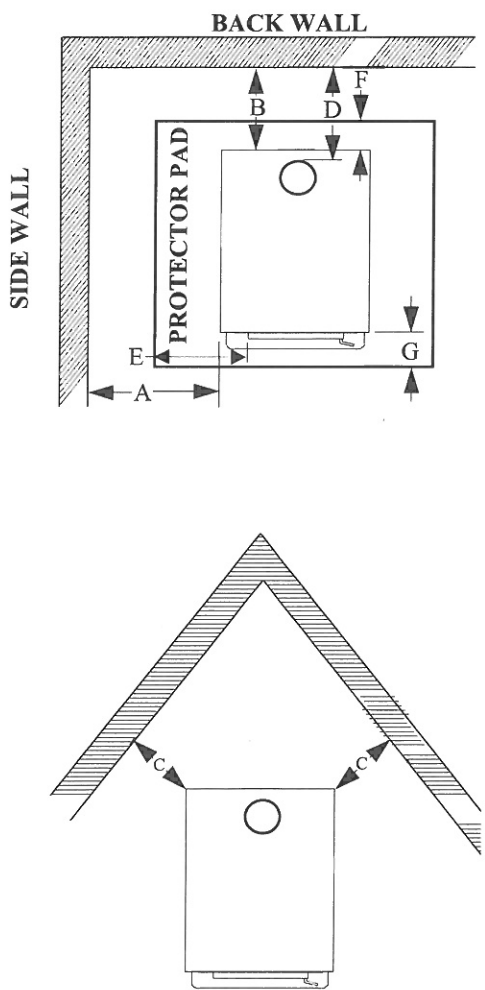
NOTE: For minimum clearances (See Page 19, Figure 18)

1. Mark the plumb line on the wall directly behind the center of the heater. (See Page 17, Figure 15).
NOTE: When using 6" Single Wall minimum 24ga. blued or black pipe, "maintain 18" minimum clearances" between pipe and ceiling".
2. Place the vertical portion of the heater pipe and the elbow in position and project a point onto the plumb line level with the center of the elbow.
3. Measure up so there will be at least 1/4" rise per foot of horizontal connector pipe, maintaining clearances to the ceiling as noted in (Page 17, Figure 15). This will give you the center of the hole for the chimney penetration.
4. After locating the center of the penetration, install the tee-box and chimney as per the chimney manufacturer's specifications.
5. Connect the chimney collar to the tee-box using 6" Single Wall minimum 24 ga. Blued or black pipe. (DO NOT USE GALVANIZED PIPE). Connect each section so the crimped end faces downward, and secure each section to each other using three (3) sheet metal screws or rivets. Single wall pipe is to be connected with three (3) sheet metal screws rivets to connector collar on heater.(See Page 22, Figure 25).

SECTION B.

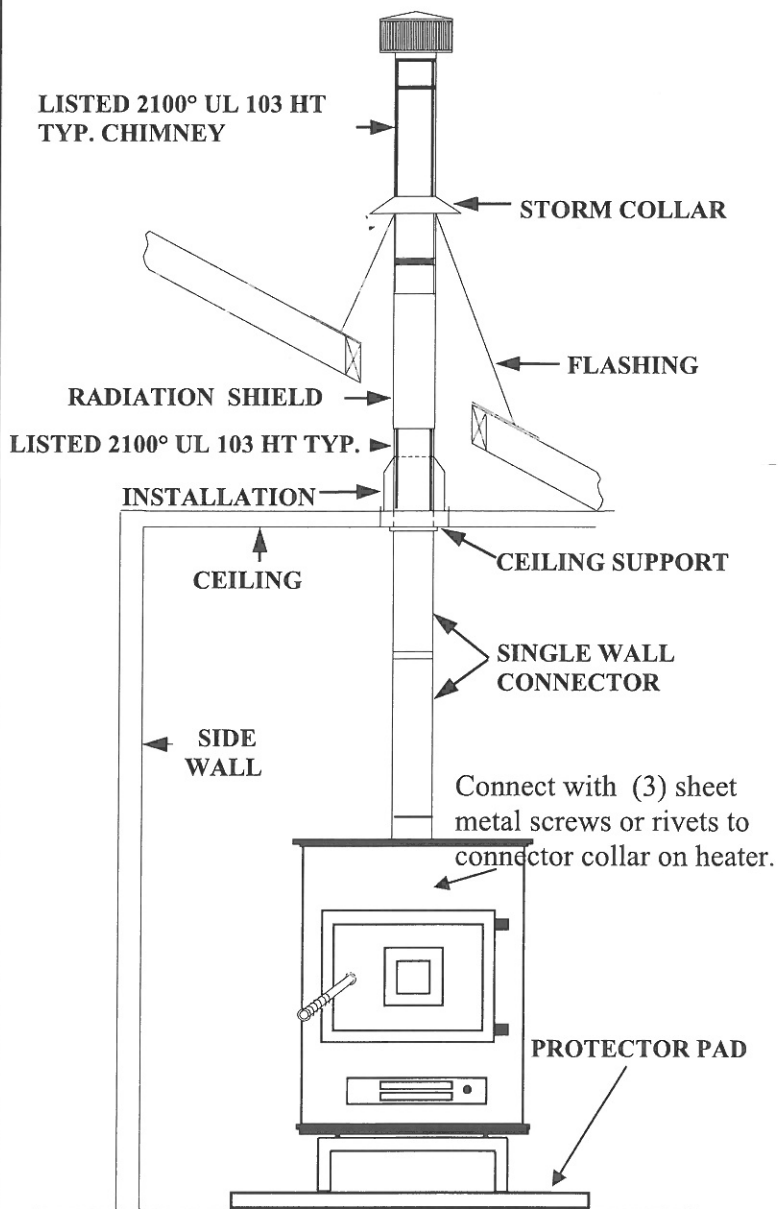
**Vertical exit using
(6" Single Wall minimum 24 ga. blued or black pipe, and
any listed 2100° UL 103 HT. TYPE Chimney).
With close clearance shields.**

Figure 4



A	B	C	D	E	F	G
19"	16"	16"	18.25"	8"	8"	16"

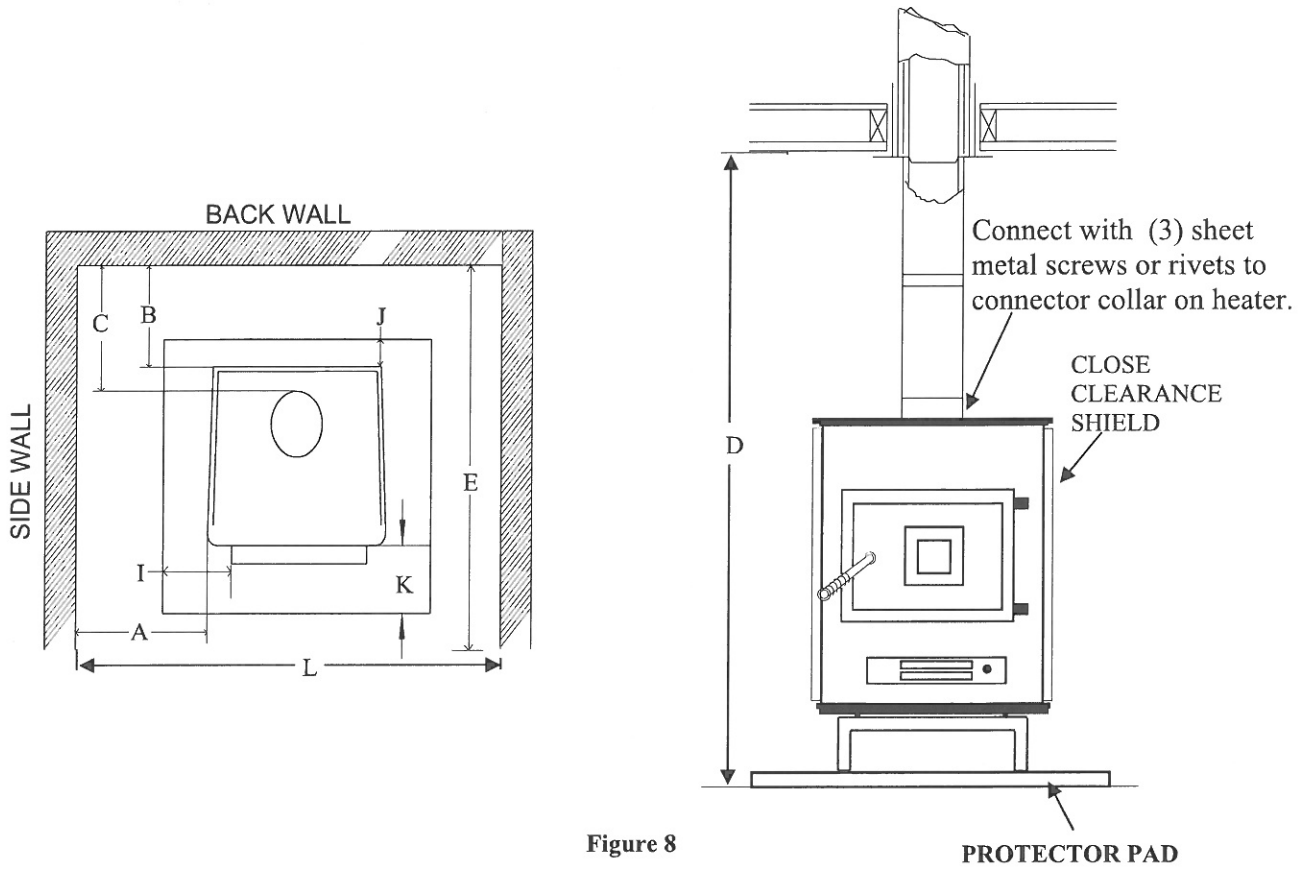
Figure 5



NOTE: All clearances are minimum to combustibles using 6" Single Wall minimum 24 ga. blued or black pipe, and minimum floor protector, **with close clearance shields**. The clearances above may be reduced. Follow **NFPA-211** codes if available or follow instructions on (Page 12).

SECTION D.

**Vertical Alcove exit using
6" DVL Close Clearance pipe, and
any listed 2100° UL 103 HT. TYPE Chimney).
With close clearance shields.**

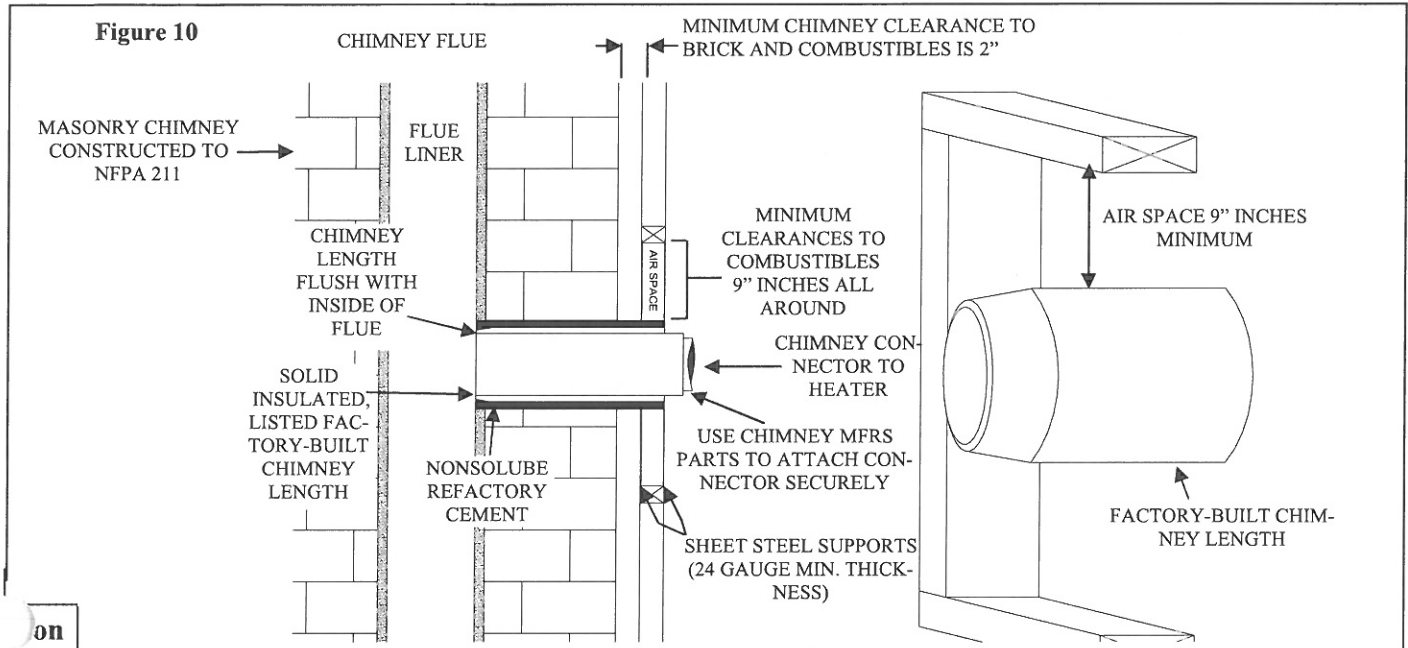


A	B	C	D	E	I	J	K	L
15"	14"	16.25"	84"	53"	8"	8"	16"	47.25"

NOTE: All clearances are to minimum combustibles using 6" DVL Close Clearance pipe, and minimum floor protector, **with close clearance shields.**

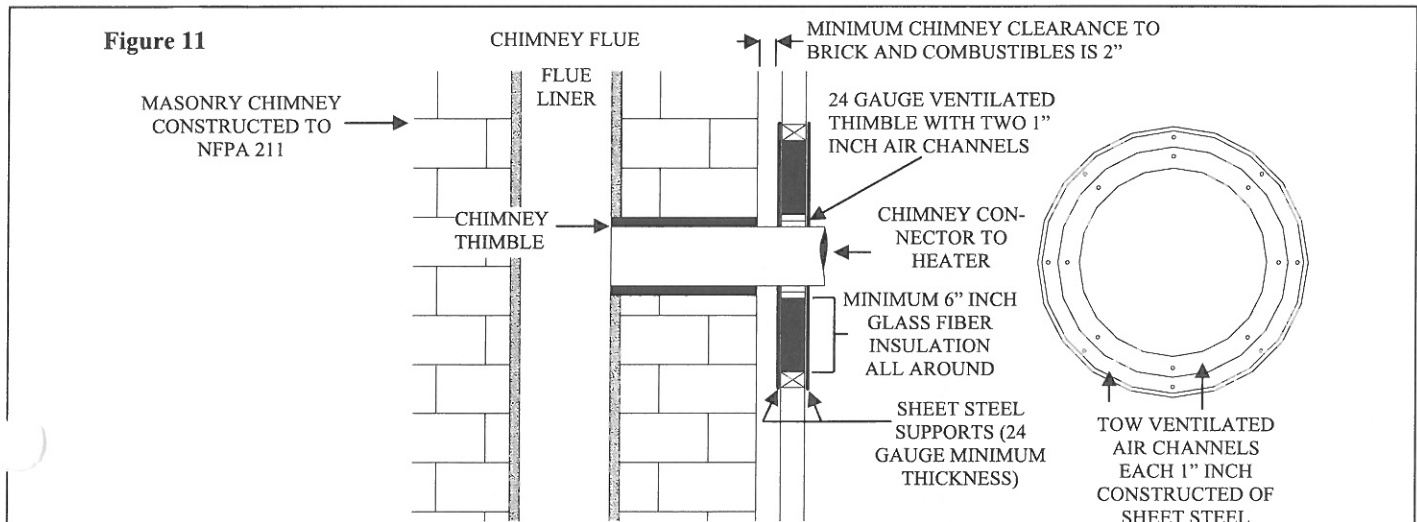
Option

2. Use a solid insulated listed factory-built chimney length having an inside diameter of 6" and having 1" or more of solid insulation. There must be at least a 9" air space between the outer wall of the chimney length and any combustible materials. The inner end of the chimney length shall be flush with the inside of the masonry chimney flue shall be sealed to the flue and to the brick masonry penetration with nonwater-soluble refractory cement. Sheet steel supports which are at least 24 gauge (0.024") in thickness shall be securely fastened to wall surfaces on all sides. Fasteners between supports and the chimney length shall not penetrate the chimney Liner. See Figure 10. The inside diameter of the fireclay liner shall be sized for the proper snug fit of a 6" diameter chimney connector pipe. The fireclay liner shall run from the outer surface of the brick wall to, but not beyond, the inner surface of the chimney flue and shall be firmly cemented in place. (See Page 16 Figure 13). After all codes have been met, install unit according to (SECTION F Page 15. or SECTION G Page 16.).



3. Use a 10" diameter ventilated thimble made of at least 24 gauge (0.024") steel having two 1" air channels. The ventilated thimble must be separated from combustible materials by a minimum of 6" glass fiber insulation. The opening in the combustible wall shall be covered and the thimble supported with sheet steel supports which are at least 24 gauge (0.024") in thickness. The sheet supports shall be securely fastened to wall surfaces on all sides and shall be sized to fit and hold the chimney section. Fasteners used to secure chimney sections shall not penetrate chimney flue liner. See Figure 11. The inside diameter of the fireclay liner shall be sized for the proper snug fit of a 6" diameter chimney connector pipe. The fireclay liner shall run from the outer surface of the brick wall to, but not beyond, the inner surface of the chimney flue and shall be firmly cemented in place. (See Page 16 Figure 13).

After all codes have been met, install unit according to (SECTION F Page 15. or SECTION G Page 16.).



SECTION F.

**Vertical wall exit using (6" Single Wall minimum 24 ga. blued or black pipe , with elbow, and any listed 2100° UL 103 HT. TYPE Chimney and Listed 2100° UL HT. T-Box assembly).
Without close clearance shields.**

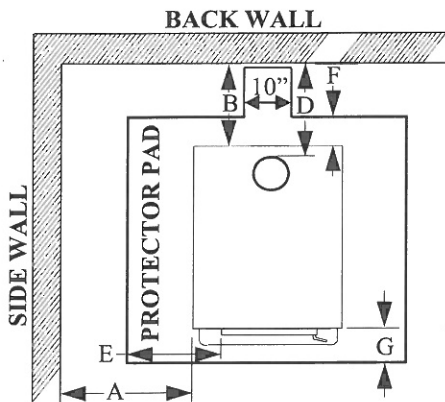
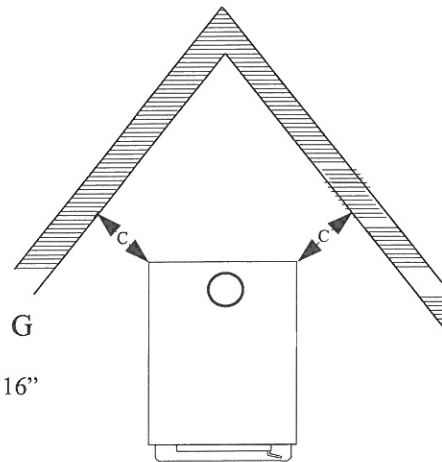
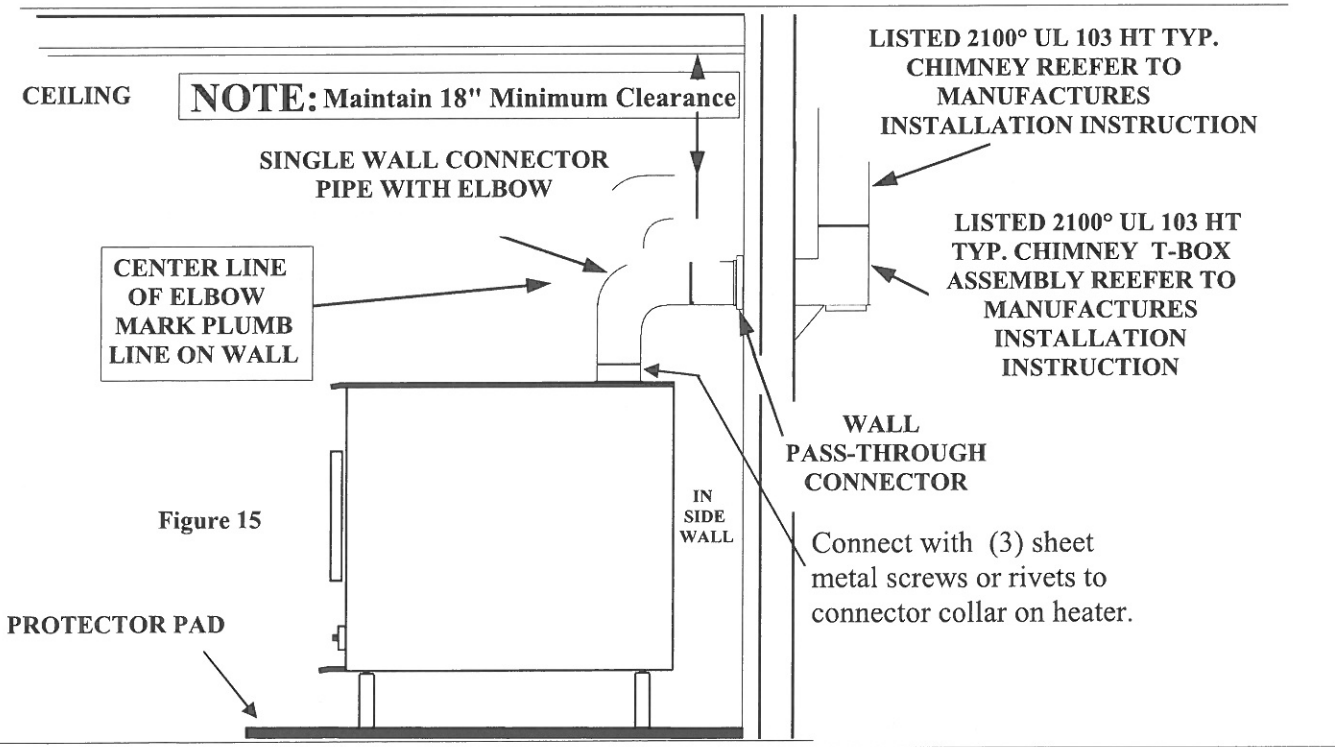


Figure 14

A	B	C	D	E	F	G
40"	24"	24"	262.5"	8"	8"	16"



NOTE: All clearances are to combustibles using 6" Single Wall minimum 24 ga. blued or black pipe with elbow, and minimum floor protector, **without close clearance shields**. Going thru wall, floor protector must be minimum 10" wide all the way to wall. Clearances above may be reduced. Follow NFPA-211 codes if available or follow instructions on (Pages 18 or 19).



SECTION H.

**Vertical wall exit using (6" DVL Close Clearance pipe with elbow,
and any listed 2100° UL 103 HT. TYPE Chimney
and Listed 2100° UL HT. T-Box assembly).
With close clearance shields.**

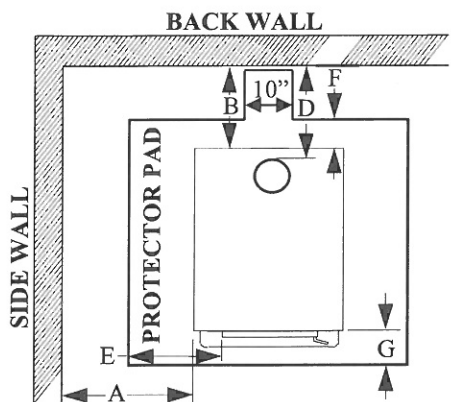
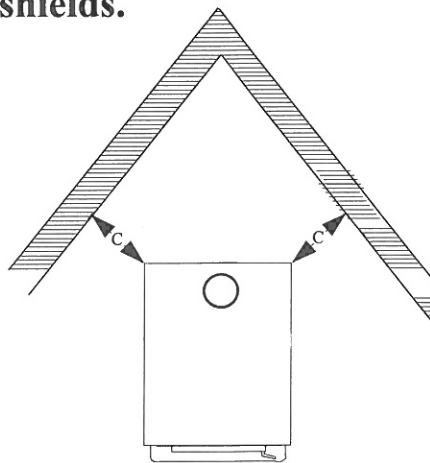


Figure 18



A	B	C	D	E	F	G
15"	14"	16"	18.25"	8"	8"	16"

NOTE: All clearances are to combustibles using 6" DVL Close Clearance pipe with elbow, and minimum floor protector, **with close clearance shields**. Going thru wall, floor protector must be minimum 10" wide all the way to wall.

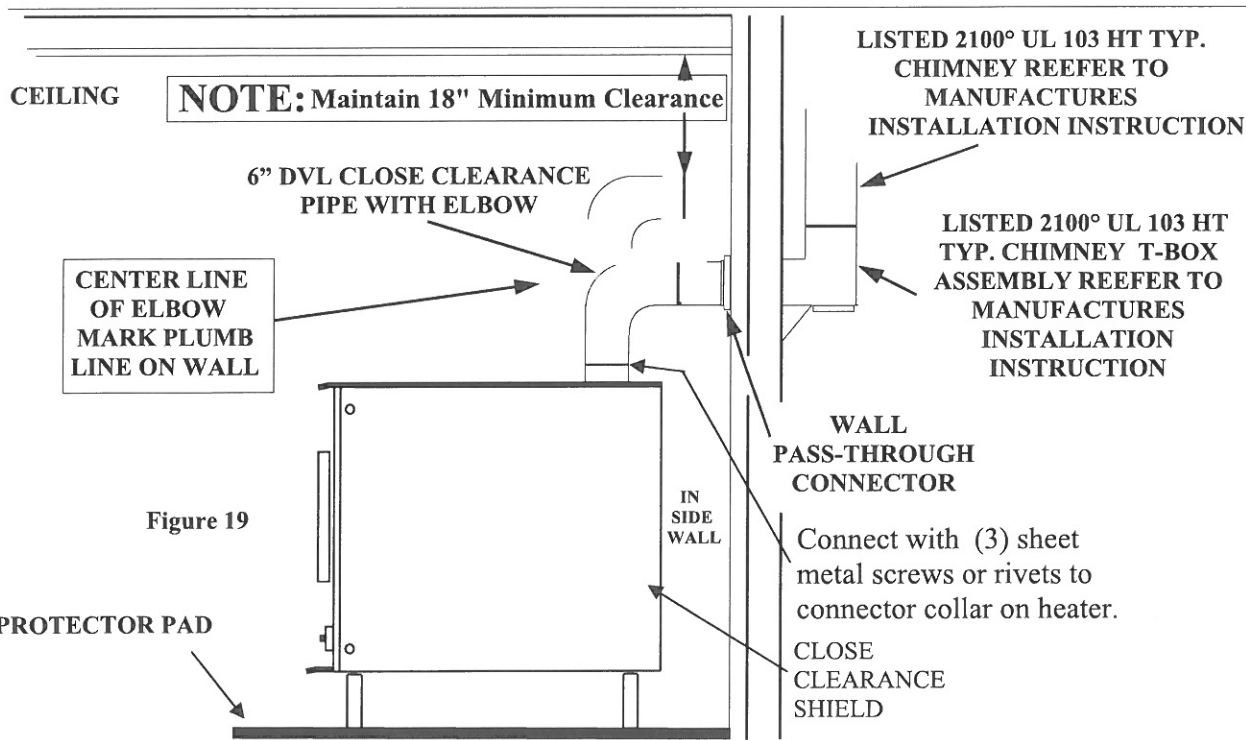


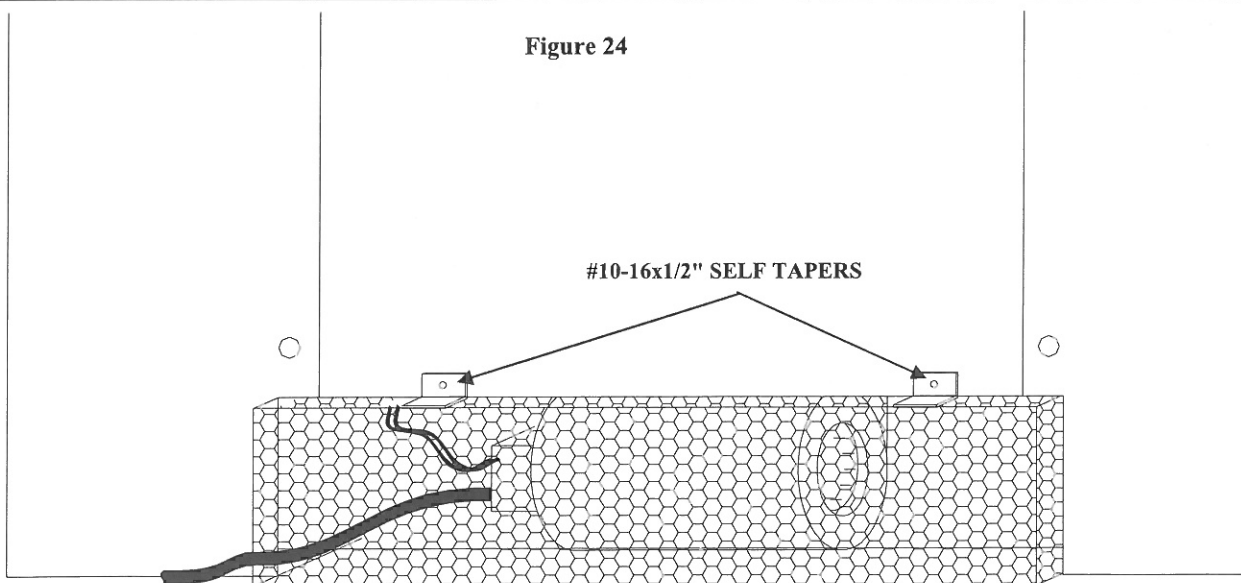
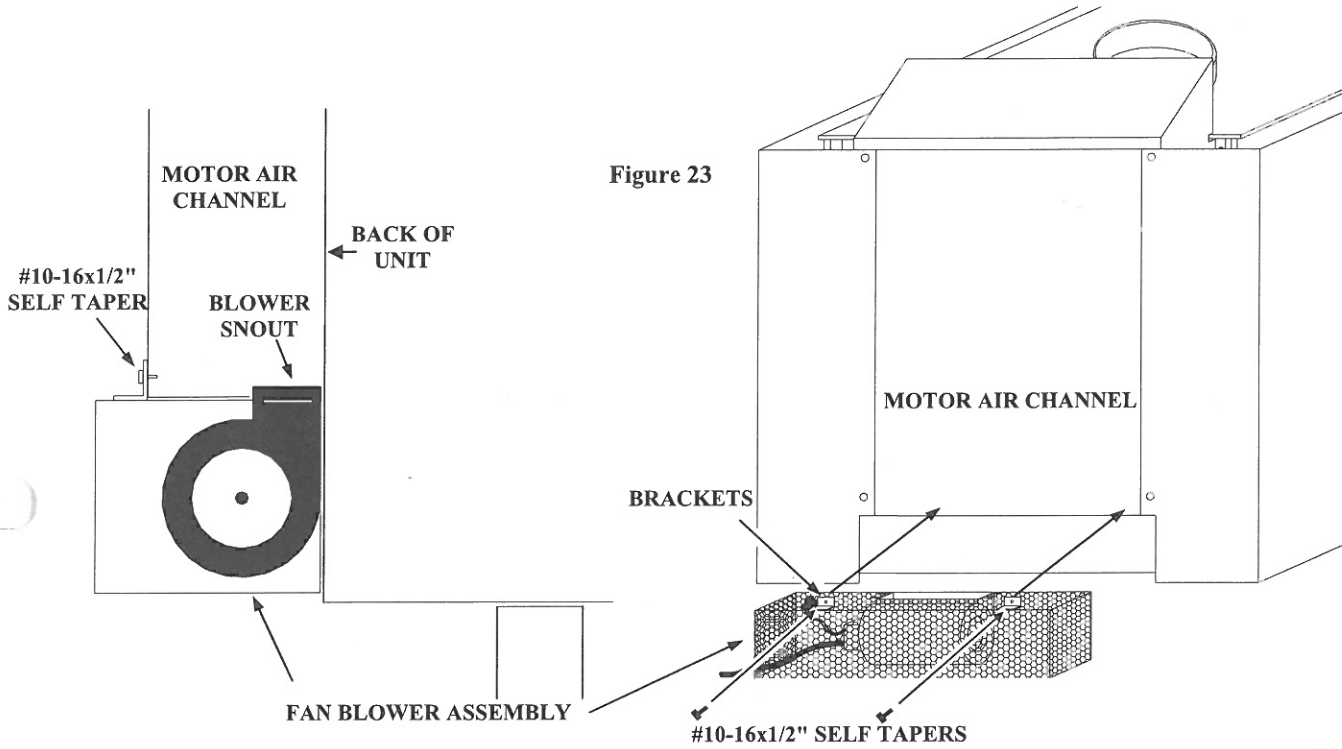
Figure 19

LIL JOHN

INSTALLATION OF (OPTIONAL) FAN BLOWER ASSEMBLY

- Take the fan blower assembly out of container Kit #MALJ715. Facing rear of unit place blower assembly at rear bottom of unit back. Make sure the blower snout is inserted into bottom of motor air channel opening with fan blower assembly brackets up against the motor air channel. Make reference marks in center of two holes in the brackets onto the motor air channel. Remove assembly and pre drill two (2) holes with #10-16x1/2" self-tapping included with the kit at reference marks on back of unit, as shown in (Figure 23).
2. Now reposition blower assembly. Note: make sure the blower snout is inserted into bottom of motor air channel, attach with the two (2) #10-16x1/2" self-tapping screws as shown in (Figure 24).

NOTE: Do not run power cord under units legs or under unit when installing or while in operation.



OPERATION

This section of the manual is to help you get the maximum efficiency and maximum smoke (particulate) reduction from your heater. If you should experience any difficulty or have any questions concerning your heater, contact your dealer for assistance. The manufacturer recommends that for maximum performance burn dried natural seasoned hard wood.

Build a fire for maximum efficiency. This model burn wood and extract heat so efficiently, a large fire is not necessary. A large fire not only wastes energy, it usually results in the home being too warm for comfort.

The following steps will serve as a guide for operating your stove.

BUILDING A FIRE

1. Open the door.
2. Open the air control slide under the fuel door by loosening the air control knob, and slide to the right. Then slide the top back damper rod back, to open the rear damper.
3. Twist two pieces of non-colored newspaper into a roll and place them on the floor of the firebox.
4. These models are not designed for the use of grates, andirons or other methods of supporting the fuel.

NOTE: "Do not use grate or elevate fire. Build wood fire directly on hearth."

5. Lay several pieces of dry kindling on top of the newspaper.
6. Place three or four small pieces of firewood, 2-3" in diameter, on top of the kindling.
7. Light the newspaper in the front. Close and latch the door. Don't leave the fire unattended at this point. It may be necessary to preheat the chimney to get the draft started. To do this, open the door and add newspaper to the top rear of the wood. Light or let this paper ignite and allow to burn while holding the door slightly cracked. Once the draft has started, close and lock the door. You are over heating the unit if the chimney and or connector glows red.
8. After embers and a coal bed have been established, load the heater with dried natural seasoned hard wood. Place wood from front to rear.

NOTE: THE FUELING DOOR MUST REMAIN CLOSED DURING OPERATION.

"Do Not Overfire – If Heater or Chimney Connector Glows, You Are Overfiring."

TROUBLESHOOTING

PROBLEM	POSSIBLE CAUSE	SOLUTION
1. Sluggish Heater	1. Obstruction in Chimney	1. Check for and remove obstruction
	2. Flue clean out	2. Close and seal flue clean out door.
	3. Wet or unseasoned wood being burned	3. Burn dried natural seasoned hard wood
	4. Poor chimney draft	4. Improper chimney height or wrong size flue is being used. Cooler temperatures caused by external chimney.
	5. Wood wrong direction.	5. Place wood from front to rear.

(NBC)
"LIMITED WARRANTY" FOR THE BUCK STOVE
PLEASE READ THIS WARRANTY CAREFULLY

PRODUCTS COVERED

This warranty covers your Stove, so long as it is owned by the original purchaser, including optional and standard accessories purchased at the same time, subject to terms, limitations, and conditions herein set out.

PRODUCTS NOT COVERED

This warranty does not cover the following:

- Glass;
- Refractory material such as refractory cement or firebrick;
- Gaskets.

This Warranty will also not cover any damage and/or failure caused by abuse or improper installation of the products covered.

WARRANTY TIME PERIODS

(A) Period I

For one year from the date of purchase, NBC will replace or repair, at its option, any part defective in materials or workmanship. The costs of parts only are included. The customer pays any labor or transportation charges required.

Thereafter

B) Period II

For a period of 90 days of purchase as long as stove is owned by original purchaser NBC will replace at its option, any electrical components, motors, wiring, switches, etc. Also parts not permanently attached to the heating unit are defined as those items designed to be removed from the stove, including those removable with common hand tools. The costs parts only are included. The customer pays any labor or transportation charges required.

PROCEDURE

Should you feel that your Stove is defective, you should contact (NBC) customer service department, who will instruct you on the proper procedure, depending on which Warranty Time Period (Period I or Period II) applies.

If for any reason you are dissatisfied with the suggested procedures, you may contact us in writing at:

New Buck Corporation
Customer Service Department
P. O. Box 69
Spruce Pine, NC 28777

CONDITIONS AND EXCLUSIONS

- A. Replacement of parts may be in the form of new or fully reconditioned parts, at NBC's option.
- B. There is no other express warranty. All implied warranties of Merchantability and Fitness for Use are limited to the duration of the Express Warranty.
- C. (NBC) is not liable for indirect, incidental, or consequential damages in connection with the use of the product including any cost or expense of providing substitute equipment or service during periods of malfunction or non-use.

Some states do not allow the exclusion of incidental or consequential damages, so the above exclusion may not apply to you.

- D. All warranty repairs under this warranty must be performed by an authorized Buck Stove service representative. Repairs or attempted repairs by anyone other than an authorized service representative are not covered under this warranty. In addition, these unauthorized repairs may result in additional malfunctions, the correction of which is not covered by warranty.

OTHER RIGHTS

This warranty gives you specific legal rights, and you may also have other rights, which vary from state to state.

OWNER REGISTRATION CARD

The attached Owner Registration Card must be completed in entirety and mailed within 30 days from the date of purchase or from the date of installation, in order for warranty coverage to begin.

PLEASE NOTE: The Owner Registration Card must contain the the Certified Installer's number (if applicable) for warranty coverage to begin.

To be completed by selling distributor or dealer for customer:

**Warranty Card Not Available On Downloaded &
Replacement Manuals**