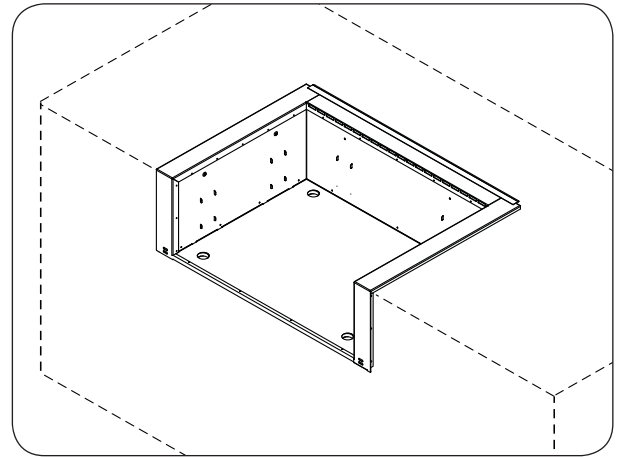




GRILL INSULATING LINER

Model# 23130-51
23125-51
23150-51
3176-51
3186-51
3185-51



INSTALLER: Leave these instructions with consumer.
CONSUMER: Retain for future reference.

SPECIFICATIONS

IMPORTANT INFORMATION

Read these instructions and the safety and installation sections of the grill owner's manual before liner installation.

The insulating liner comes pre-assembled and ready to install.

FOR YOUR SAFETY, the enclosure must provide openings for drainage, replacement air, and cross-ventilation of any storage area exposed to possible leakage from gas connections, the unit, or propane cylinders.

This liner is only for installation in an enclosure constructed of combustible materials and a NON-COMBUSTIBLE countertop.

All additional enclosure requirements, safety guidelines, and any other requirements found in your grill owner's manual MUST BE FOLLOWED.

The insulating liner is designed to be supported from the countertop using the liner hangers. See Fig. 1-1.

Note: Framing the cut-out with side walls, a rear wall, and a base is permitted.

Grill Series	Liner Model
A430/C430	23130-51
A530	23125-51
A540/C540	23150-51
A660/E660	3176-51
A790/E790	3186-51
E1060	3185-51

Table 1 - Models available

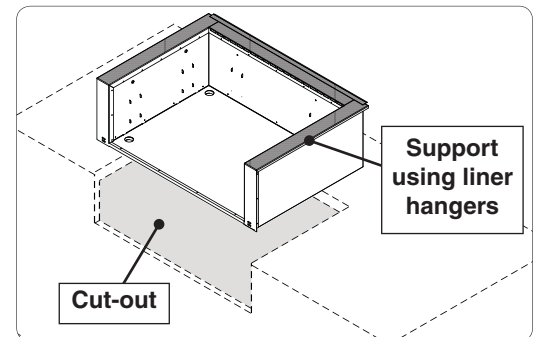


Fig. 1-1 Installation orientation

See your grill owner's manual for all overall enclosure requirements.

See sections on following pages regarding cutout dimensions, and countertop overhang and substrate considerations. Then proceed to INSTALLATION.

SPECIFICATIONS (cont.)

CUTOUT DIMENSIONS

Grill series	A430/C430	A530	A540/C540	A660/E660	A790/E790	E1060
Insulating liner model	23130-51	23125-51	23150-51	3176-51	3186-51	3185-51
A Countertop to unit bottom cut-out	12 1/4"	12 1/4"	12 1/4"	12 1/4"	12 1/4"	12 1/4"
B Side to side cut-out	30 3/8"	30 3/8"	37"	37"	42 1/2"	55 1/4"
C Front to back cut-out *	22 1/4"	26 1/4"	22 1/4"	26 1/4"	26 1/4"	26 1/4"
D Liner flange width cut-out †	31 3/8"	31 3/8"	38"	38"	43 1/2"	56 1/4"

* Includes any substrate at front wall of enclosure (in the areas the liner flanges are to sit flush against).
See SUBSTRATE section on next page.

† Only applicable for enclosures that have countertops with an overhang (see illustration and section below).

Table 2 - Cutout Dimensions

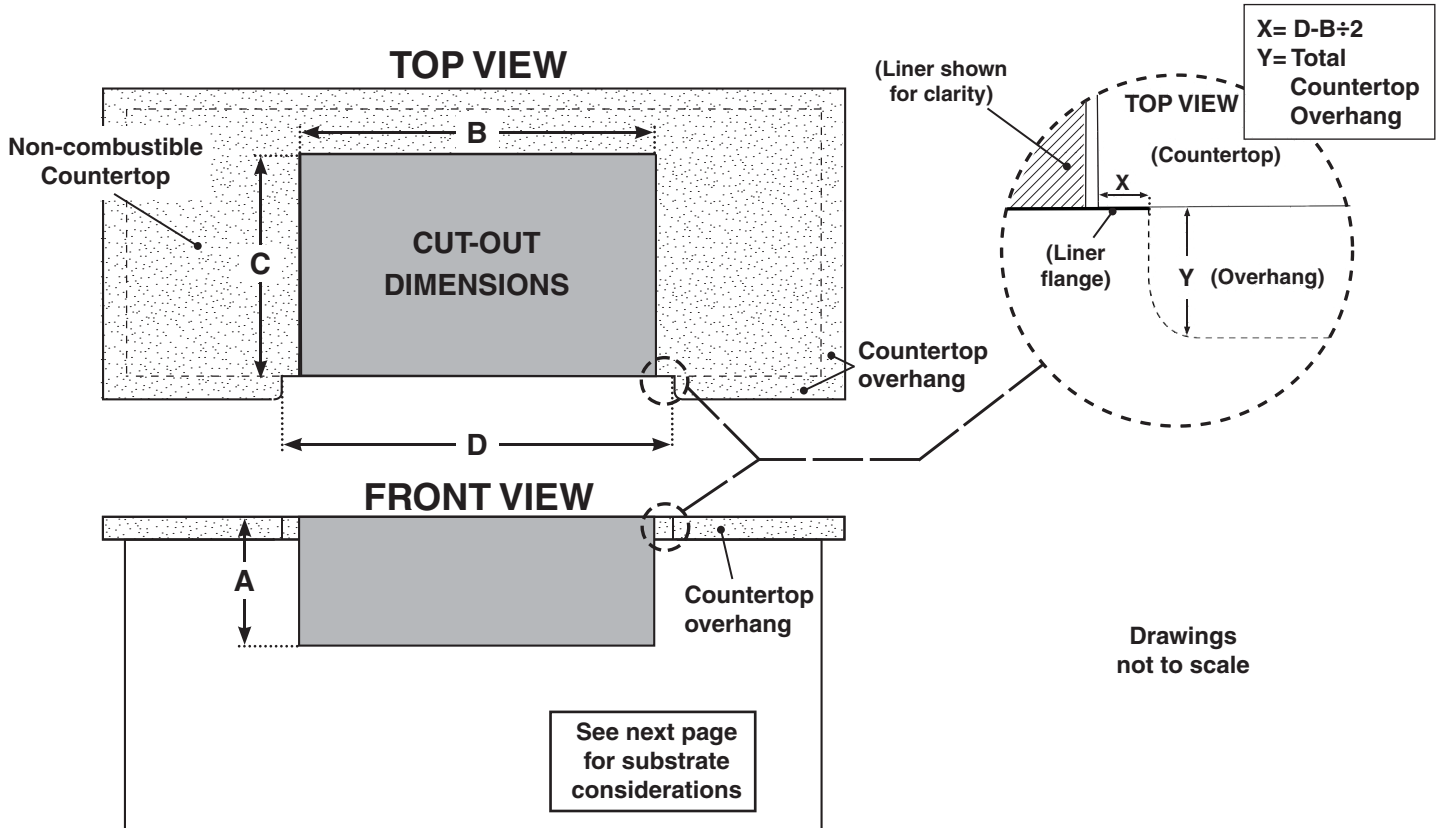


Fig. 2-1

Countertop Overhang

The liner front flanges are designed to sit flush against the enclosure front wall. If the countertop extends beyond the front wall, creating a countertop overhang, it must be cut flush with the front wall for the width of the liner flanges or a gap will be created exposing the forward portions of the left and right side liner walls. See illustrations above.

Important: **FOR YOUR SAFETY, you must provide openings in the island enclosure for drainage, replacement air, and cross-ventilation of any storage area exposed to possible leakage from gas connections, the unit, or propane bottles. See the ENCLOSURE REQUIREMENTS section in grill owner's for details.**

Substrate

When adding any substrate to the enclosure front wall (including tiles, stone, etc.), make allowance for:

Substrate Behind Liner Flange

Substrate + countertop "front to back" cutout must equate to **Dim. C** (see previous page) when the substrate sits flush behind the liner flanges.

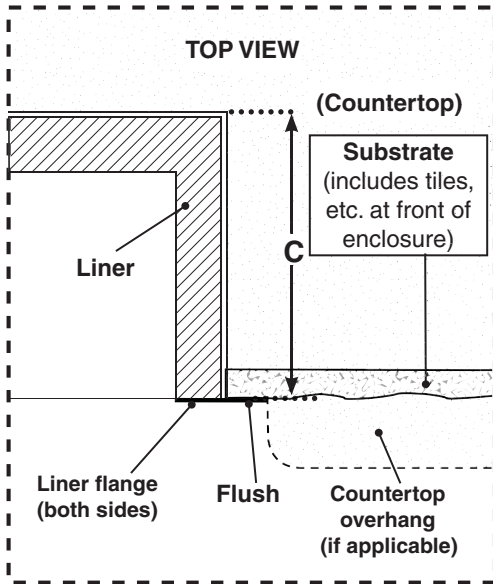


Fig. 3-1

Substrate Alongside Liner Flange

Any additional substrate alongside the liner flanges does not need to be considered in **Dim. C** (see previous page).

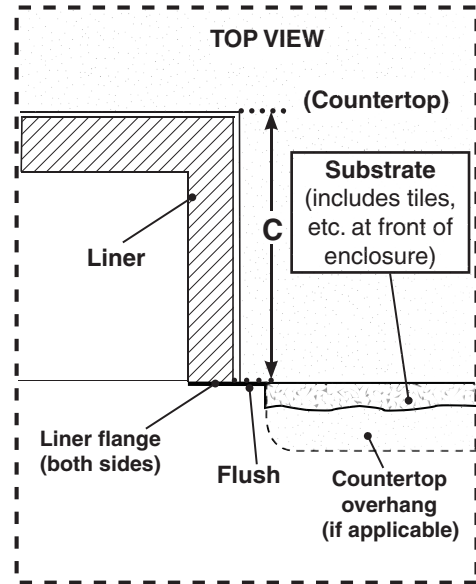


Fig. 3-2

Continued on next page

INSTALLATION

1. Install the insulating liner as shown in Fig. 4-1.
 - If installing on a countertop with an irregular/textured surface, a bead of silicone sealer rated for 400° or higher may be needed to protect from the elements.
 - The insulating liner has knock-out holes (two at the front, and two at the rear) for electrical feeds (if applicable), and the gas feed.

Note: If possible, use the front hole for electrical feeds. See Fig. 4-3.

2. Install your grill per your grill owner's manual.

Important: Do not allow the grill hanger to come in contact with the countertop or any combustible surface (see Fig. 4-2).

VENTILATION PORTS LOCATED AT THE FRONT AND REAR OF THE GRILL INSULATING LINER SHOULD NEVER BE BLOCKED. KEEP CLEAR FOR PROPER VENTILATION OF THE UNIT. See Fig. 4-3.

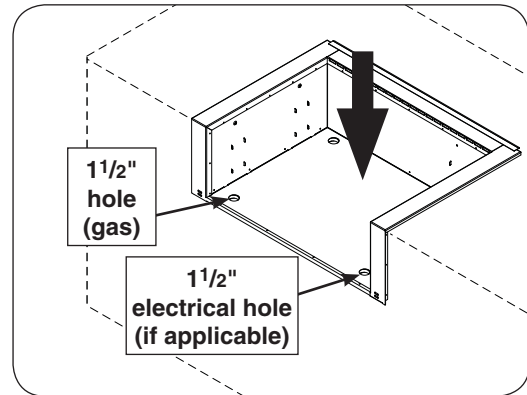


Fig. 4-1 Install insulating liner

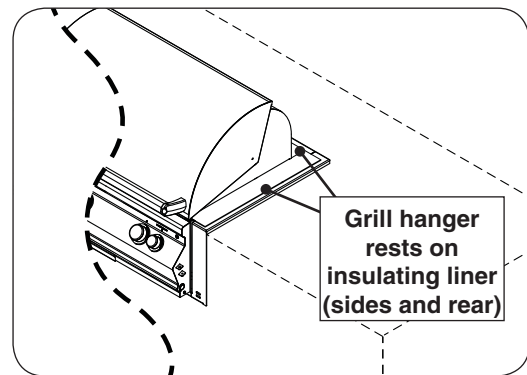


Fig. 4-2 Install grill into liner

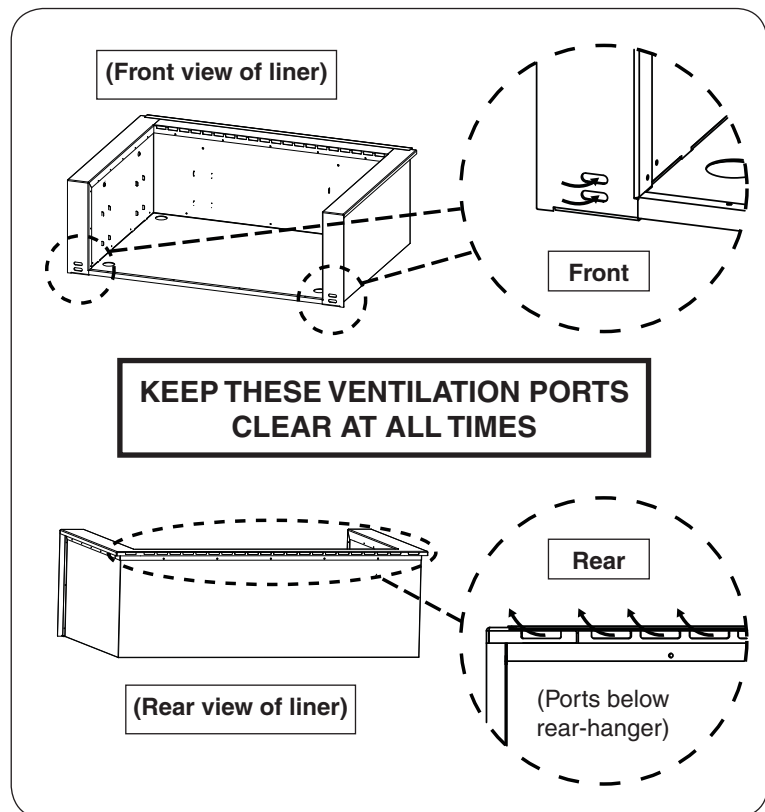


Fig. 4-3 Keep ventilation ports clear