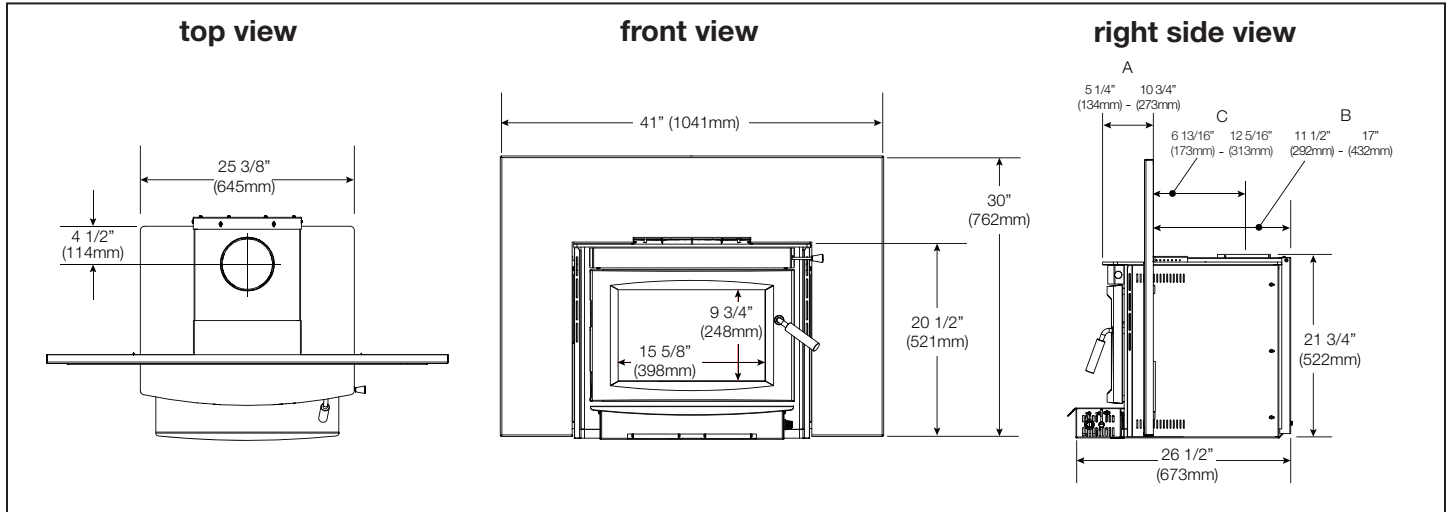


Specifications

Model	Width		Height		Depth	Viewing Area
	Firebox	W/ Backerplate	Firebox	W/ Backerplate		
S20i	25 3/8	41	20 1/2	30	26 1/2	153 in ²

Dimensions



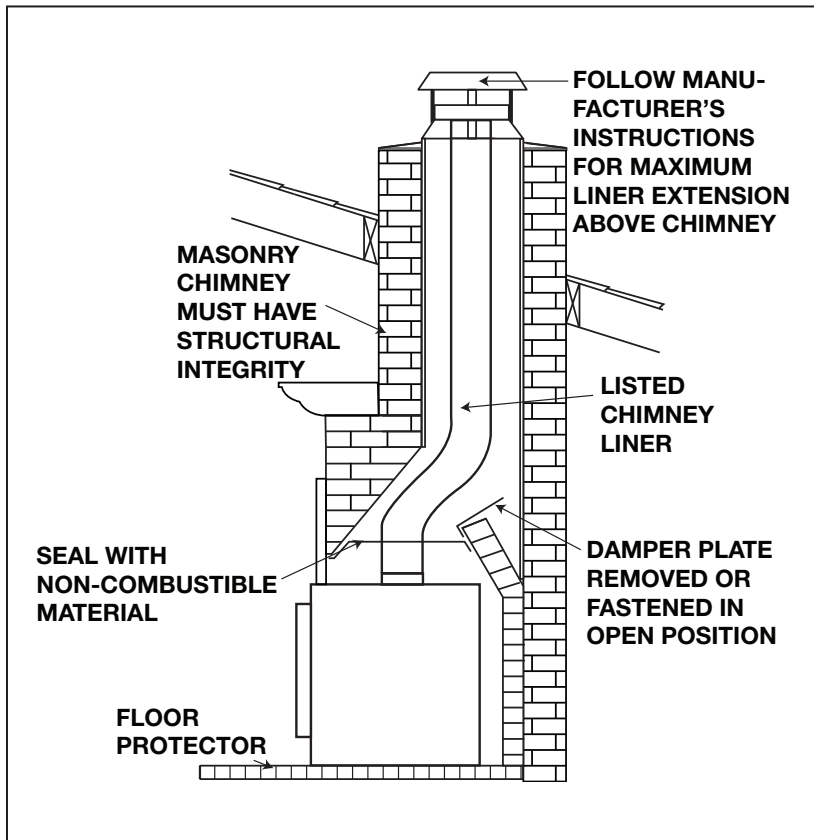
Minimum Clearances to Combustibles

MINIMUM CLEARANCES		
A	Sidewall	16" (406mm)
B	Mantel	30" (762mm)
C	Top facing	22" (559mm)
D	Side facing	10" (254mm)
E	Hearth (front)	22" (559mm)
F	Minimum hearth thickness	1" (25mm)
G	Hearth (side)	8" (203mm)
H	In front of insert	48" (1219mm)

MINIMUM EXISTING FIREPLACE DIMENSIONS		
I	Width (rear)	25 7/8" (657mm)
J	Width (front)	25 7/8" (657mm)
K	Height (front)	22" (559mm)
L	Height (rear)	22" (559mm)
M	Depth	14" (356mm)
N	Hearth depth	22" (559mm)
O	Hearth width	41 3/8" (1051mm)
P	Facing width	45 3/8" (1153mm)
Q	Facing height	42 5/8" (1083mm)
R	Mantel	50 5/8" (1286mm)

HEARTH EXTENSION / FLOOR PROTECTION:
 Must be non-combustible and extend 18" (457mm) in front of the insert and 8" (203mm) on both sides with a minimum thickness of 1" (25mm) and a thermal conductivity factor (K) 0.84.

Typical Installation in Existing Masonry



Factory Built Fireplace

The following installation requirements must be observed when installing solid fuel burning inserts into factory built fireplaces:

1. The factory built fireplace must be listed per UL 127 or ULC S610.
2. Clearances to any combustible material surrounding this insert as identified must be followed. These clearance requirements supersede any pre-existing facing material clearances listed for the factory built fireplace.
3. Installation must include a full height listed chimney liner meeting HT requirements (2100°F/1149°C) as required in UL 1777 (US) or ULC S635 (Canada). The liner must be securely attached to the insert flue collar and the chimney top.
4. Means must be provided to prevent room air passage to the chimney cavity of the fireplace. This may be accomplished by sealing the damper area around the chimney liner, or sealing the appliance front.
5. The air flow within and around the appliance shall not be altered by the installation of the insert (i.e. no louvres or cooling air inlet or outlet ports are blocked), unless specifically tested as such for each factory built fireplace manufacturer and model line.

note:

Using a louvered face plate (surround) complies with this requirement.

6. Alteration of the appliance in any manner is not permitted with the following exceptions:
 - A. External trim pieces which do not affect the operation of the appliance may be removed providing they can be stored on or within the fireplace for reassembly if the insert is removed.
 - B. The chimney damper may be removed to install the chimney liner.
7. Circulating air chambers (i.e. in a steel fireplace liner or metal heat circulator) shall not be blocked.
8. Means must be provided for removal of the insert to clean and chimney flue.
9. Inserts that project in front of the fireplace must be supplied with appropriate support means.
10. A permanent metal warning label must be attached to the back of the fireplace stating that the fireplace must be restored to its original condition for safe use without the insert.

Door Removal / Installation

note:

We strongly recommend using two people to remove and/or install the appliance door as it is very heavy.

1. With one hand on the door to prevent it from falling, open the door and remove the 6 large screws located on the hinges (**Fig. 1**).
2. Remove the door, placing it face down on a soft, non-abrasive surface (**Fig. 2**). Be careful not to scratch the paint.
3. Reverse these steps to install the door.

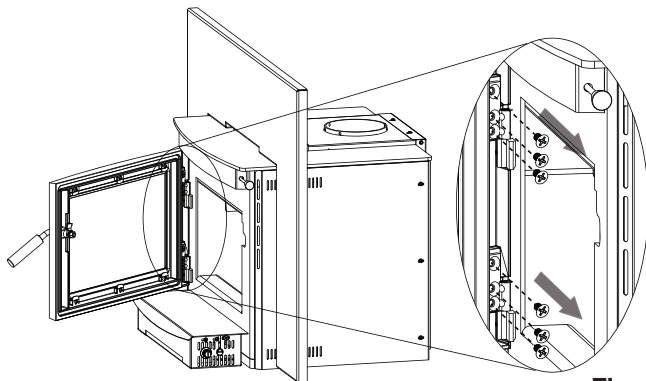


Fig. 1

note:
Hinge **MUST** stay secured to appliance during door removal / installation.

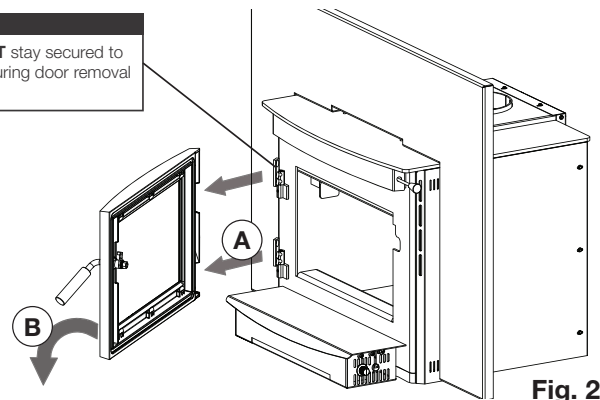


Fig. 2

Product information provided is not complete and is subject to change without notice. Please consult the installation manual for the most up to date installation information.