

Model No: C1C28



Features:

- Two high performance Coyote Infinity Burners™
- 640 sq. in. cooking area
- Up to 40,000 BTU
- Complete 304 stainless steel construction
- Interior grill lighting
- Integrated wind guard

Dimensions:

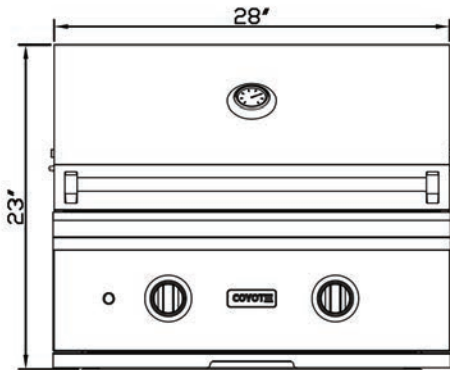
- Cutout: (H) 10 1/4" X (W) 26 3/8" X (D) 20 1/2"
- Overall: (H) 23" X (W) 28" X (D) 25 1/2"

Accessories:

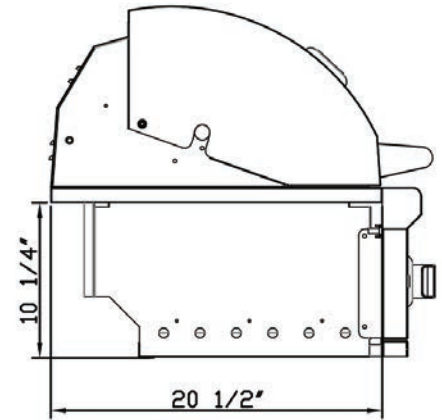
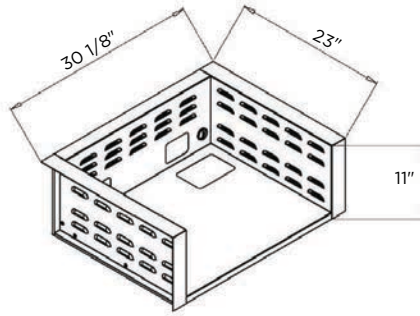
- Laser-Cut Signature Grates (CSIGRATE15)
- Charcoal trays (CCHTRAY15)
- 14" stainless steel griddle (C1GRDL)
- Custom fit, weather resistant cover
- Insulated jacket
- Gas conversion kit
- Free-Standing Model No: C1C28-FS LP/NG

C1C28 PRODUCT SPECS

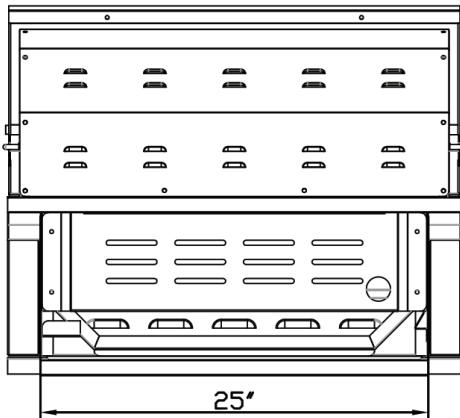
DIMENSIONAL RENDERINGS



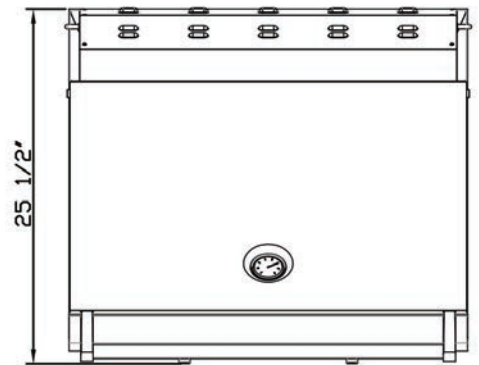
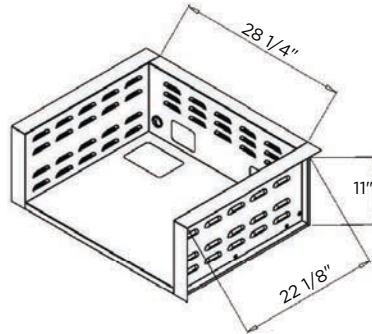
FRONT VIEW



SIDE VIEW



REAR VIEW



TOP VIEW

| Overall Product Dimensions | | | |
|----------------------------|--------|---------|---------|
| Model No. | Height | Width | Depth |
| C1C28 | 23" | 28" | 25 1/2" |
| CJAKTCC2 | 11" | 30 1/8" | 23" |

| Cutout Dimensions for Island | | | |
|------------------------------|---------|---------|---------|
| Model No. | Height | Width | Depth |
| C1C28 | 10 1/4" | 25" | 20 1/2" |
| CJAKTCC2 | 11" | 28 1/4" | 22 1/8" |

✓ When using a Coyote insulated jacket, you will want to build your island to the jacket's Cutout and Overall Dimensions listed above (detailed on 2nd page). Once the jacket is installed, the grill will rest on/inside the insulated jacket

| Model No. | Gas Supply | BTU's | Regulator | WC Pressure | Max PSI | Electrical Requirements |
|-----------|-------------|--------|----------------------|-------------|---------|-------------------------------------|
| C1C28LP | Propane | 40,000 | 20 lb Tank Regulator | 11" | .5 PSI | Qty 1 - 120 VAC 60 Hz Grounded Plug |
| C1C28NG | Natural Gas | 40,000 | 1/2" Female Pipe | 4" | .5 PSI | Qty 1 - 120 VAC 60 Hz Grounded Plug |

Important Note to Installer: This file is not intended to replace your Owners' Manual which contains specific safety requirements and consumer guidelines. Please refer to your Owners' Manual prior to installing or operating your built-in grill.